

Gates On the Fly User Manual V10.14

https://nandigits.com/gof_manual.php



Table of Contents

Table of Contents	3
1 Introduction	11
1.1 Download and Install GOF	11
1.2 License and Setup	11
2 GOF ECO: Functional ECO Tool	11
2.1 Netlist ECO Solutions	11
2.2 Automatic Full-Layers Functional ECO Flow	12
2.2.1 Files and data requirements in automatic functional ECO	12
2.2.2 Steps to do automatic functional ECO	12
2.2.3 Automatic Functional ECO example script	13
2.2.4 Run and debug in automatic functional ECO	13
2.2.5 Synthesize sub-modules only	13
2.2.6 SVF files support	14
2.2.7 Multibit flops in ECO	14
2.2.8 ECO Retargeting	15
2.2.9 DFT Constraints	15
2.2.10 DFT Design Rule Checker	16
2.2.11 No Exact Pin Match	18
2.2.12 Flip-flop Phase Inverted	19
2.2.13 Tie High Tie Low nets	19
2.2.14 Stitch new flops into scan chain	19
2.2.15 Add a new module	20
2.2.16 Note in RTL modification and re-synthesis	21
2.2.16.1 Keep sequential signal name	21
2.2.16.2 Use the same synthesis constraints	21
2.2.17 Debug non-equivalence in large ECO	21
2.2.18 Check design after ECO	21
2.2.19 Formality help files generation	21
2.2.20 RTL Guided ECO Flow	21
2.2.21 Internal RTL to RTL Guidance	21
2.2.21.1 Files and data requirements in RTL guided ECO	22
2.2.21.2 Steps to do RTL guided ECO	22
2.2.21.3 RTL guided ECO example script	22
2.2.21.4 Synthesize Reference RTL to Reference Netlist	22
2.2.22 Third Party RTL LEC Result Processing	23
2.3 Standard Cells Automatic Metal Only ECO Flow	23
2.3.1 Standard Cells Spare Gates Mapping	24
2.3.2 Spare Gates Synthesis	24
2.3.3 Spare Gates Number and Distribution	24
2.3.4 Files and data requirements in Metal Only ECO	25
2.3.5 Steps to do automatic Metal Only ECO	25
2.3.6 Example GOF script for Metal Only ECO	25
2.3.7 Run and debug for Metal Only ECO	25
2.3.8 Gated clocks in Automatic Metal Only ECO	25
2.4 Metal Configurable Gate Array Cells ECO Flow	25
2.4.1 Gate Array Cell Base Tile	26
2.4.2 Gate Array Automatic Mapping	26
2.4.3 Files and data requirements in Gate Array ECO	27
2.4.4 Steps to do gate array spare cells ECO	27
2.4.5 Example GOF script for gate array cells ECO flow	27
2.4.6 TCL output file format after Gate Array ECO	27
2.4.7 Run and Debug in Gate Array ECO	27
2.5 Find Equal Nets between RTL and Netlist	27
2.5.1 Example script to find equal nets	28
2.5.2 GUI Mode to find equal nets	28
2.6 Script Mode Full Layers Manual ECO Flow	28
2.6.1 Files and data requirements in Manual ECO	28
2.6.2 Steps to do Manual ECO In Scripts	28
2.6.3 Manual ECO APIs list	28
2.6.4 Example GOF script for Manual ECO	28
2.6.5 Run and debug in Manual ECO	28
2.6.6 Handle repetitive work	28
2.6.7 Special characters	29
2.7 Script Mode Metal Only Manual ECO Flow	29
2.7.1 Files and data requirements in Metal Only Manual ECO	29
2.7.2 Example GOF script for Manual Metal Only ECO	29
2.7.3 Run and debug in Metal Only Manual ECO	29



2.8 GUI Mode Full Layers ECO Flow	29
2.8.1 Start up GOF in GUI Mode	29
2.8.2 Create Partial Schematic	30
2.8.3 Do ECO on schematic	30
2.8.4 Save ECO in GUI Mode	31
2.9 GUI Mode Metal Only ECO Flow	31
2.9.1 Methods for Metal Only ECO	31
2.9.2 Setup and use cases	31
2.10 Report Timing	31
2.10.1 Report Timing APIs	31
2.10.2 Timing before ECO	31
2.10.3 Timing after ECO	32
3 GOF Formal: Fault Verification Tool	32
3.1 GOF Formal	32
3.1.1 Single Point Fault and Latent Fault	32
3.1.2 Fault Model	32
3.1.3 Cone of Influence	33
3.1.4 SPFM and LFM Calculation	33
3.1.5 Rough Method by COI Analysis	33
3.1.6 Faults Injection Formal Verification	34
3.1.7 FUSA Metrics Improvement	34
3.2 FUSA Example Code	34
3.2.1 Script for SPFM and LFM Calculation	34
3.2.2 FUSA Debug One Fault	34
4 Script Mode Detail Features	34
4.1 GOF Script Interface	34
4.1.1 Get Help for APIs	35
4.1.2 GOF Script APIs feature list	35
4.1.3 Full API list	35
4.1.4 API grouping	36
4.1.4.1 Netlist Browse APIs	36
4.1.4.2 Automatic ECO APIs	37
4.1.4.3 File IO APIs	37
4.1.4.4 Manual ECO APIs	37
4.1.5 APIs Detail usage	37
4.2 String Handling In Script Mode	37
4.2.1 Single quote and double quote	37
4.2.2 Instance and net with backslash	37
4.3 Run and debug GOF script	37
4.3.1 Command line	37
4.3.2 GOF Shell	37
4.3.3 Run in GUI mode	38
4.3.4 Fast schematic launch	38
4.3.5 Break points for debug	38
4.3.6 Counter-example back-annotated to schematic	39
4.4 Typical Manual ECO operations	39
4.4.1 Insert gate to port	39
4.4.1.1 Insert an invert to input port	39
4.4.1.2 Insert to output port	40
4.4.1.3 Insert inverts to multiple ports	40
4.4.2 Insert gate to register instance pin	40
4.4.2.1 Insert invert to flop data pin	40
4.4.2.2 Insert invert to flop output pin	40
4.4.2.3 Insert MUX to data pin of multiple flops	40
4.4.3 Change flops to other type	40
4.4.3.1 Change non-reset flop type to resettable flop	40
4.4.4 Insert gate to hierarchical instance pin	40
4.4.4.1 Insert inverts to hierarchical instance pins	40
4.4.4.2 Insert AND to hierarchical instance pins	40
5 GOF LEC: Logic Equivalence Checking Tool	40
5.1 GOF LEC Overview	40
5.1.1 Netlist to Netlist LEC	40
5.1.2 RTL to Netlist LEC	41
6 GOF Debug: Netlist Debug and Schematic	41
6.1 GofViewer	41
6.1.1 Log Window	41
6.1.2 File Menu	42
6.1.2.1 Load Design	42
6.1.2.2 Reload Design	42



- 6.1.2.3 Open Other Netlist 42
- 6.1.2.4 Open Log Window 42
- 6.1.2.5 Exit 42
- 6.1.3 Find Menu 42
 - 6.1.3.1 Search 42
 - 6.1.3.2 Goto Line Number 42
 - 6.1.3.3 Report Area 42
 - 6.1.3.4 Report Leakage 42
 - 6.1.3.5 Report Leaf Cells 42
 - 6.1.3.6 Report Submodules 42
 - 6.1.3.7 Statistic of Current Design 42
 - 6.1.3.8 List Library 42
 - 6.1.3.9 List Context for Leaf Cell 42
- 6.1.4 Commands Menu 42
 - 6.1.4.1 Launch GofTrace Schematic 42
 - 6.1.4.2 Launch GofTrace with Gate 42
 - 6.1.4.3 Launch Layout Viewer 42
 - 6.1.4.4 Launch GofCall Script Interface 42
 - 6.1.4.5 Spare Cells 42
- 6.1.5 Options Menu 43
 - 6.1.5.1 Hierarchy Window Font 43
 - 6.1.5.2 Netlist Window Font 43
 - 6.1.5.3 Dump Waveform Restore File 43
 - 6.1.5.4 Setup 43
- 6.1.6 Help Menu 43
 - 6.1.6.1 General 43
 - 6.1.6.2 About 43
 - 6.1.6.3 nandigits.co/gof_manual.php 43
 - 6.1.6.4 Read Ethernet Mac Address 43
- 6.1.7 Keyboard Shortcuts 43
 - 6.1.7.1 Access Menu 43
 - 6.1.7.2 Functions access 43
- 6.1.8 Selection Status 43
- 6.1.9 Netlist Window Pop Menu 43
 - 6.1.9.1 Search 43
 - 6.1.9.2 Copy Selected to 44
 - 6.1.9.3 Find Equal Nets of the selected Reference Net 44
 - 6.1.9.4 Driver of the selected net 44
 - 6.1.9.5 List Connectivity of the selected net 44
 - 6.1.9.6 List Fanin EndPoints 44
 - 6.1.9.7 List Fanout EndPoints 44
 - 6.1.9.8 Parent Module 44
 - 6.1.9.9 List Context 44
- 6.1.10 Hierarchy Window Pop Menu 44
 - 6.1.10.1 Show Definition 44
 - 6.1.10.2 Show Calling 44
 - 6.1.10.3 Report Area of the selected design 44
 - 6.1.10.4 Report Leakage of the selected design 44
 - 6.1.10.5 Report Leaf Cells of the selected design 44
 - 6.1.10.6 Report Submodules of the selected design 44
 - 6.1.10.7 Statistic of the selected design 44
 - 6.1.10.8 Edit Module of the selected design 44
 - 6.1.10.9 Save Module of the selected design 44
 - 6.1.10.10 Goto Line Number 44
- 6.2 GofTrace 44
 - 6.2.1 Mouse buttons usage 45
 - 6.2.1.1 Mouse Left Button 45
 - 6.2.1.2 Mouse Middle Button 45
 - 6.2.1.3 Mouse Right Button 45
 - 6.2.2 File Menu 45
 - 6.2.2.1 Save 45
 - 6.2.2.2 Open 45
 - 6.2.2.3 Print 45
 - 6.2.2.4 Exit 45
 - 6.2.3 Schematic Menu 45
 - 6.2.3.1 New Schematic 45
 - 6.2.3.2 List Gate 45
 - 6.2.3.3 Load Gate 45
 - 6.2.3.4 Load Gate Driving Net 45



6.2.3.5 List Selected Instances	45
6.2.3.6 List Selected Wires	45
6.2.3.7 List Selected Modules	45
6.2.3.8 List Selected Instances Definitions	45
6.2.3.9 List Selected Gates Types	45
6.2.3.10 Zoom In	45
6.2.3.11 Zoom Out	46
6.2.3.12 Zoom to	46
6.2.3.13 Find Gates on Schematic	46
6.2.3.14 Find Nets on Schematic	46
6.2.3.15 Undo Schematic Operations	46
6.2.3.16 Place and Route	46
6.2.3.17 Create PS/PDF File	46
6.2.4 Commands Menu	46
6.2.4.1 View Gates in Layout	46
6.2.4.2 Load Layout Files	46
6.2.4.3 Launch GofCall Script Interface	46
6.2.4.4 Spare Cells	46
6.2.5 Options Menu	46
6.2.5.1 Increase Font Size	46
6.2.5.2 Decrease Font Size	46
6.2.5.3 Show Port	46
6.2.5.4 Show Wire	46
6.2.5.5 Show Title	46
6.2.5.6 Show Type	46
6.2.5.7 Show Connections	46
6.2.5.8 Show Comment	46
6.2.5.9 Dump Waveform Restore File	46
6.2.5.10 Save String to Clipboard	46
6.2.5.11 Cursor Mode	47
6.2.5.12 Line Edit Mode	47
6.2.5.13 Setup	47
6.2.6 Help Menu	47
6.2.6.1 General	47
6.2.6.2 About	47
6.2.6.3 nandigits.co/gof_manual.php	47
6.2.7 Keyboard Shortcuts	47
6.2.7.1 Access Menu	47
6.2.7.2 Functions access	47
6.2.8 Selection Status	47
6.2.9 GofTrace Pop Menu	47
6.2.9.1 Driver Until Non Buffer	47
6.2.9.2 Drivers of Logic Cone	47
6.2.9.3 Copy Selected to	47
6.2.9.4 Trace Scan Chain	47
6.2.9.5 Nets Equivalence Check	47
6.2.9.6 Find Equal Nets of the selected Net	48
6.2.9.7 Add Comments	48
6.2.9.8 Find Gates on Schematic	48
6.2.9.9 Find Nets on Schematic	48
6.2.9.10 Place and Route	48
6.2.9.11 Find selected in GofViewer	48
6.2.9.12 Edit Gate Display	48
6.2.9.13 List Logic for the Selected Leaf Cell	48
6.2.9.14 List Context for the Selected Leaf Cell	48
6.2.9.15 List Definition for the Selected Instance	48
6.2.9.16 Load Instance Similar to the Selected Instance	49
6.2.9.17 Equivalent Symbol	49
6.2.9.18 Delete	49
6.3 GUI GofECO	49
6.3.1 ECO Menu	49
6.3.1.1 Enable ECO and ECO Preferences	49
6.3.1.2 Insert Gates	49
6.3.1.3 Replace Gates	49
6.3.1.4 Add Gates	49
6.3.1.5 Delete Selected Items	49
6.3.1.6 Upsize Drive Strength	49
6.3.1.7 Downsize Drive Strength	50
6.3.1.8 Undo ECO Operations	50



6.3.1.9 Add Connection	50
6.3.1.10 Save ECO	50
6.3.2 Metal Only ECO	50
6.3.2.1 Metal ECO, mode 1	50
6.3.2.2 Metal ECO, mode 2	50
6.3.2.3 Metal ECO, mode 3	50
6.3.2.4 Metal ECO, mode 4	50
6.4 LayoutViewer	50
6.4.1 File Menu	50
6.4.1.1 Capture in PDF	50
6.4.1.2 Exit	51
6.4.2 Commands Menu	51
6.4.2.1 Clear Circuit Markers	51
6.4.2.2 Clear Search Markers	51
6.4.2.3 New Schematic	51
6.4.3 OptionsMenu	51
6.4.3.1 Show Grid	51
6.4.3.2 Show Instance	51
6.4.3.3 Show Module	51
6.4.3.4 Setup	51
6.4.4 Help Menu	51
6.4.4.1 Help on LayoutViewer	51
6.4.5 LayoutViewer Pop Menu	51
6.4.5.1 Clear Circuit Markers	51
6.4.5.2 Clear Searching Markers	51
6.4.5.3 Copy Selected to	51
6.4.6 Keyboard and mouse combination	51
6.4.6.1 Ctrl key to measure length	51
6.4.6.2 Shift key to select multiple markers	51
6.4.7 Mouse operations	51
6.4.8 Select color buttons	51
6.4.9 Search function	51
7 Appendix A	51
7.1 APIs Detail Usage	51
add_mapped_instance	51
buffer	52
change_gate	52
change_net	52
change_pin	52
change_port	53
check_design	53
compare	53
compare_nets	53
convert_gated_clocks	53
create_clock	54
create_pin_mapping_json_file	54
create_reset	54
current_design	54
current_instance	54
del_gate	54
del_net	54
del_port	54
dft_drc	54
elab_rtl	54
elaborate	54
exist_inst	54
exist_wire	54
find_equal_nets	55
fix_design	55
fix_logic	55
flatten_modules	55
get_cell_cofactors	55
get_cell_info	55
get_cells	56
get_conns	56
get_coord	56
get_definition	56
get_driver	57
get_drivers	57



get_instance	57
get_instances	57
get_leaf_pin_dir	58
get_leafs_count	58
get_lib_cells	58
get_loads	58
get_loads_phase	58
get_logic_cone	58
get_modules	58
get_net_of	58
get_nets	58
get_path	59
get_pins	59
get_ports	59
get_ref	59
get_resolved	59
get_roots	59
get_scan_flop	59
get_spare_cells	59
get_spare_in_use	60
gexit	60
gof_version	60
gprint	60
is_leaf	60
is_pin_masked	60
is_scan_flop	60
is_seq	60
list_wireload	60
map_spare_cells	61
new_gate	61
new_net	61
new_port	61
place_gate	61
place_port	62
pop_top	62
post_recovery	62
preserve_modules	62
push_top	62
read_def	62
read_design	62
read_file	62
read_lef	62
read_library	63
read_rtl	63
read_rtlpatch	63
read_sdf	63
read_sub_module_netlist	63
read_sub_module_svf	63
read_svf	64
read_vcd	64
rename_net	64
replace_sub_module_netlist	64
replace_sub_module_svf	64
report_eco	64
report_spare	65
report_timing	65
restore_session	65
rtl_compare	65
run	65
run_lec	65
save_session	65
sch	65
set_auto_fix_floating	65
set_bfix	65
set_blackbox	66
set_bound_opti	66
set_buffer	66
set_buffer_distance	66
set_clock_uncertainty	66



set_cluster_command	66
set_cluster_timeout	66
set_constraints	66
set_cutpoint_thresh	66
set_cutpoint_ultra	67
set_define	67
set_detect_points	67
set_disable_cross_hierarchy_merge	67
set_disable_lib_cache	67
set_dont_fix_modules	67
set_dont_use	67
set_eco_effort	67
set_eco_point_json	67
set_equal	68
set_error_out	68
set_exit_on_error	68
set_exit_on_warning	68
set_false_path	68
set_floating_as_zero	68
set_flop_default_eco	68
set_flop_merge_enable	68
set_high_effort	68
set_ignore_instance	69
set_ignore_network	69
set_ignore_output	69
set_ignore_pin	69
set_inc_dirs	69
set_initial_trans	69
set_input_delay	69
set_input_transition	69
set_inside_mod	69
set_inst	70
set_inv	70
set_invert	70
set_keep_format	70
set_keep_tree	70
set_keypoints_rep_in_ref	70
set_leaf	70
set_log_file	70
set_low_effort	70
set_mapped_point	70
set_mapping_method	71
set_max_lines	71
set_max_loop	71
set_mod2mod	71
set_mu	71
set_multibit_blasting	71
set_multibit_output	71
set_net_constant	71
set_no_patch_opt	71
set_noexact_pin_match	71
set_observe_points	71
set_one_fault	72
set_only_use	72
set_output_delay	72
set_output_load	72
set_phase_adjust_en	72
set_phase_inv	72
set_physical_aware	72
set_pin_constant	72
set_power	72
set_preserve	72
set_quiet	73
set_recovery_distance	73
set_remove_undsc_in_ref	73
set_rtl_eco_full_hier_fan	73
set_save_mapped_instance	73
set_scan_pairs	73
set_sn_vs_rn	73



set_solver_timeout	73
set_tiehi_net	73
set_tielo_net	73
set_time_frame_limit	74
set_top	74
set_top_ref	74
set_tree	74
set_user_match	74
set_verbose	74
set_wireload	74
set_write_verilog_remove_backslash	74
set_write_verilog_uniquify	74
set_xm_flop_merge_enable	74
setup_eco	74
source	75
start_gui	75
stitch_scan_chain	75
suppress_errors	75
suppress_warnings	75
swap_inst	75
undo_eco	75
verify_faults	75
verify_state	75
write_compare_points	75
write_dcsh	76
write_formality_help_files	76
write_perl	76
write_soce	76
write_spare_file	76
write_tcl	76
write_verilog	76
8 Appendix B	76
8.1 GOF Command Options	76
8.2 Command line Examples	77
9 Appendix C	77
9.1 Fatal codes	77
9.2 Error codes	78
9.3 Warning codes	78
9.4 GUI warning codes	79

1 Introduction

The GOF platform is comprised of four powerful functional components: GOF ECO, GOF Formal, GOF LEC, and GOF Debug.

GOF ECO is the flagship tool within the GOF platform, offering state-of-the-art technology and methodologies for functional netlist ECO. Whether you need to identify non-equivalent modules, fix non-equivalent points, or streamline the Implementation netlist, GOF ECO has you covered.

GOF Formal is another critical component of the GOF platform, providing a formal method for calculating fault coverage in an IC design in functional safety.

GOF LEC is the logic equivalence checker tool within the GOF platform, enabling users to easily verify the equivalence of their designs and ensure that they function as intended.

GOF Debug is the netlist debug tool integrated with incremental schematic, providing a fast and efficient way to identify and resolve errors in your netlist.

1.1 Download and Install GOF

GOF release package can be found in

<https://nandigits.co/download.php>

Please complete the form to request an evaluation license before downloading the application.

The tool supports Linux 64bits OS. Download the release package and unzip to a directory. Set 'the_64bit_install_path/GOF64/bin' in search path.

1.2 License and Setup

Visit <https://nandigits.co/supports.php?type=license> to request an evaluation license. Or email support@nandigits.co for more information. Without license, the tool can support netlist size less than 500K bytes. There are two license modes, fixed node mode and floating node mode.

- Fixed node license: Copy the license file to "the_install_path/GOF64/bin" and restart GOF.
- Floating node license: Please refer to this page to install floating license https://nandigits.co/floating_license_setup_example.htm

2 GOF ECO: Functional ECO Tool

2.1 Netlist ECO Solutions

GOF ECO incorporates the following features:

- Automatic functional ECO uses the Reference Netlist to fix the Implementation Netlist
- RTL-guided automatic functional ECO produces quicker and more targeted ECO results
- RTL patch ECO can speed up the turnaround time by avoiding full-scale and lengthy synthesis processes
- Built-in logic equivalence check engine makes the ECO self contained
- Parallel processing fully utilizes multiple CPU cores to reduce ECO run time
- Standard spare cells in Metal only ECO remaps only spare gates in post-mask ECO
- Metal Configurable Gate Array Spare Cells makes larger Metal Only ECO possible
- Auto mode ECO mixed with GUI and Script mode ECO optimizes ECO patches to the full extent
- ECO retargeting achieves huge netlist ECO in short period of time
- DFT friendly maintains test logic untouched to avoid second time ECO in late design stage

GOF ECO utilizes various advanced ECO methodologies, as netlist ECO can vary significantly in terms of size and complexity across different cases and companies. To provide users with maximum flexibility, GOF offers a range of methodologies to choose from, allowing them to select one or multiple options based on the specific requirements of the changes involved.

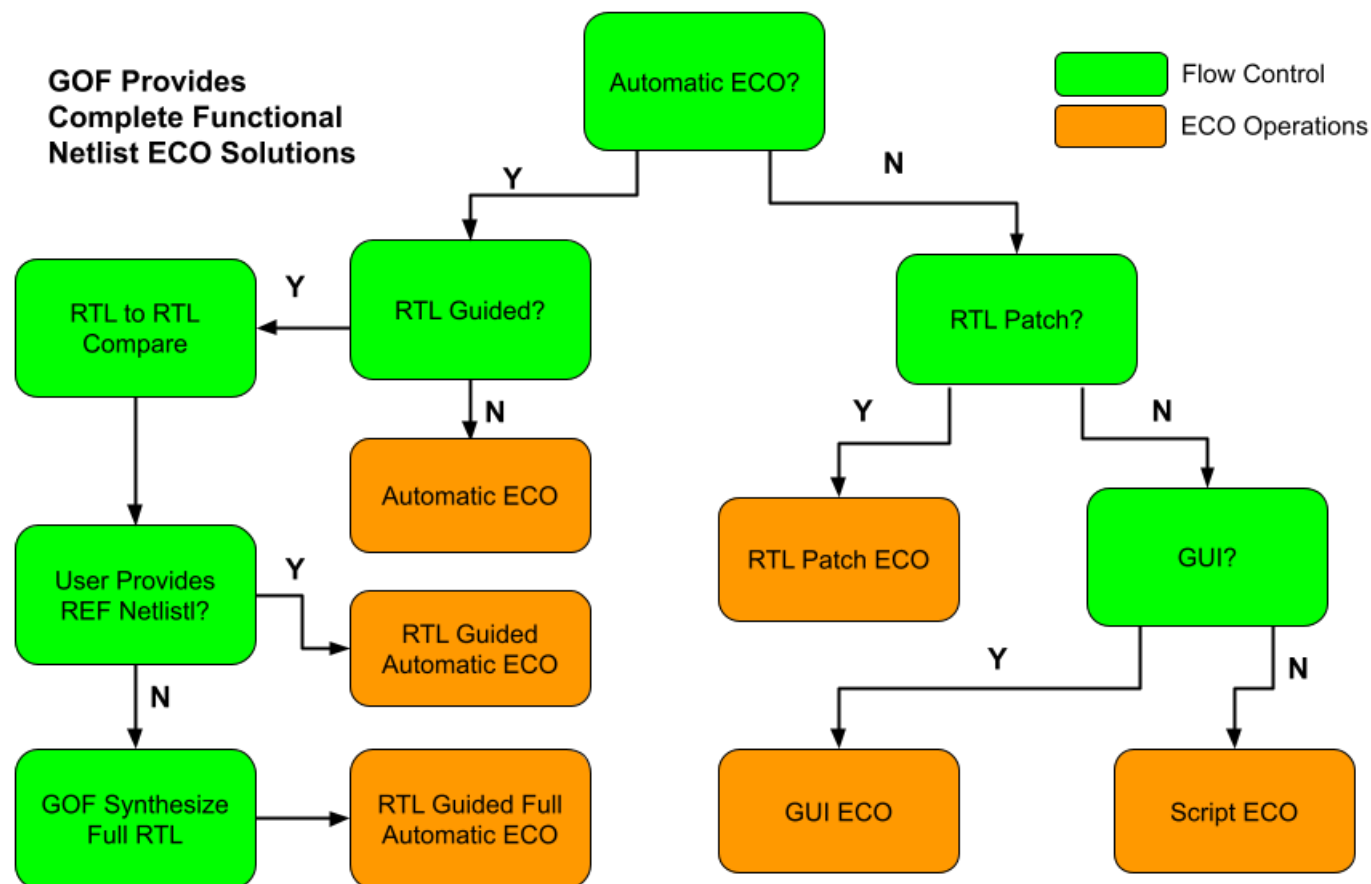


Figure 1: Complete Functional ECO Solutions

- Automatic ECO and Manual ECO
- RTL to Netlist and Netlist to Netlist
- Script Mode and GUI Mode
- Metal Only ECO and All Layers ECO

• Automatic mode ECO

The automatic functional ECO is carried out using a GOF ECO script, which requires an Implementation Netlist that is currently under ECO and a Reference Netlist that is re-synthesized from the modified RTL with the same constraints as the pre-layout netlist. The 'fix_design' API is utilized to execute a top-down global ECO. GOF leverages its built-in Logic Equivalence Check engine to identify and analyze non-equivalent points in both the top-level module and its sub-modules. Logic patches are generated to rectify any non-equivalent modules, and the final patches are optimized circuits that minimize the gate count required to make the Implementation Netlist equivalent to the Reference Netlist. Finally, the 'map_spare_cells' API is used to map these patches to spare-type-gates.

• **Manual mode ECO**

If the ECO changes are limited in scope and size or involve repetitive operations such as adding inverters on a bus, it is more efficient to use the manual mode ECO. This mode is a better option as it results in fewer final gates being touched compared to automatic mode ECO. Additionally, both automatic and manual modes can be combined and executed within a single GOF ECO script.

• **Metal Only ECO**

When ECO is done in either automatic mode or manual mode, 'map_spare_cells' command is run to convert the newly added cells to spare gate types cells. Users can control only spare gate type cells being used in manual mode ECO, so that the converting stage can be bypassed. The flow supports both standard spare cells and gate array spare cells.

• **Hierarchical ECO**

GOF supports hierarchical ECO by set the ECO scope to the sub-modules. Some Logic Equivalence Check cases can only be resolved in flatten mode. Since GOF only focuses on the modules or spots that user specifies, it can avoid to get false non-equivalence in hierarchical netlist.

• **GUI mode ECO**

GUI mode ECO has advantage of fast ramping up. It's good for small size ECOs. The incremental schematic feature is very helpful for analyzing the netlist before the next step is decided.

• **Integrated environment**

The ECO modes listed above are integrated into one work environment seamlessly. The mixing of ECO modes can produce most optimal ECO result. For example, automatic ECO and manual script ECO can be done in one ECO script, so that the minimum size ECO patch can be achieved.

2.2 Automatic Full-Layers Functional ECO Flow

The Full Layers Functional ECO allows for the addition or removal of gates in a flexible manner. The ECO operations are performed using a script in Perl syntax, which accesses, modifies, and saves the netlist database using exported APIs. GOF ECO reads in two netlist files: the Implementation Netlist (which is under ECO) and the Reference Netlist (which is re-synthesized from modified RTL with the same constraints as the pre-layout netlist). In the ECO script, the 'fix_design' API is used to fix the top-level module and its sub-modules in global mode. GOF utilizes its built-in Logic Equivalent Check Engine to identify non-equivalent points and applies optimized minimum size gate patches to fix the non-equivalent modules.

Figure 2 shows that two logic cones are extracted from the Implementation and Reference Netlist for the same comparison point. Initially, the implementation point does not match the reference point. GOF compares the two points and generates a patch from the Reference logic cone, which it applies to the Implementation Netlist. After patching, the two points become equivalent.

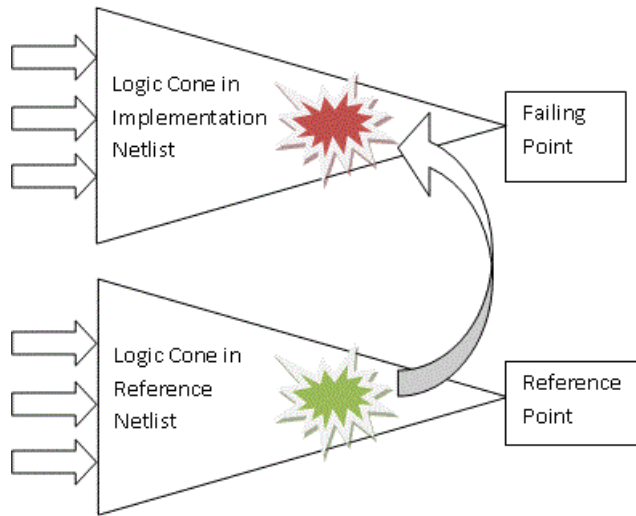


Figure 2: Logic Cone Optimization

GOF performs logic cone analysis and optimization for each failing point discovered during top-down logic equivalence checks. The failing point takes the form of an output port or input pin of a sequential element, such as a flip-flop's D input. The final patch contains the fewest number of gates required to ensure that the implementation logic cone matches the reference logic cone.

Figure 3 depicts the flow chart of the process.

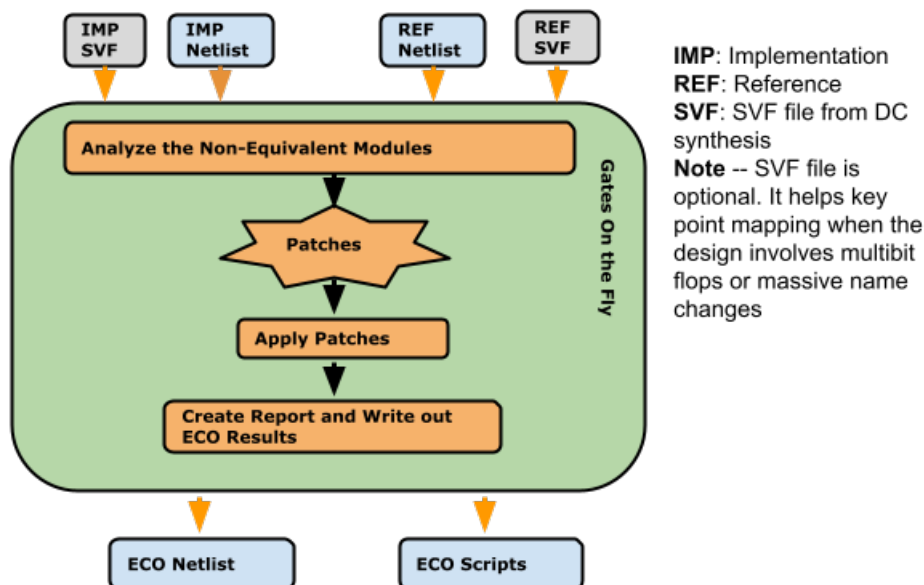


Figure 3: Automatic functional ECO flow

2.2.1 Files and data requirements in automatic functional ECO

- Liberty files with extension '.lib'
- Other Verilog libraries files for modules not covered in '.lib' files
- Implementation SVF and Reference SVF file, required for designs with multibit flops
- Implementation Netlist on which ECO will be done
- Reference Netlist synthesized with the same constraints as the pre-layout netlist
- The top level module name under ECO

2.2.2 Steps to do automatic functional ECO

Steps for an automatic functional ECO:

- Modify the original RTL
- Synthesize the new RTL to get Reference Netlist or synthesize sub-modules only and re-assemble the top level netlist
- Create GOF ECO script:

- o Specify ECO name in 'setup_eco'
- o Load Liberty files and Verilog libraries
- o Load the Reference Netlist and the Implementation Netlist
- o Fix the design by 'fix_design'
- o Report ECO status and write out ECO results
- Run the above ECO script by "gof -run eco_script.pl"

2.2.3 Automatic Functional ECO example script

The ECO script employs the exact syntax of a Perl script. It executes exported APIs that interact with the netlist database, facilitating modifications to the netlist.

The following is the example script for automatic functional ECO:

```
# GOF ECO script, run_example.pl
use strict;
setup_eco("eco_example");# Setup ECO name
read_library("tsmc.5nm.lib");# Read in standard library
# SVF files are optional, best to be used when the design involves multibit flops
#read_svf("-ref", "reference.svf.txt"); # Optional, must be loaded before read_design, must be in text format
#read_svf("-imp", "implementation.svf.txt"); # Optional, must be loaded before read_design, must be in text format
read_design("-ref", "reference.gv");# Read in Reference Netlist
read_design("-imp", "implementation.gv");# Read in Implementation Netlist Which is under ECO
set_top("topmod");# Set the top module
# Preserve DFT Test Logic
set_ignore_output("scan_out*");
set_pin_constant("scan_enable", 0);
set_pin_constant("scan_mode", 0);
fix_design();
save_session("current_eco_name"); # Save a session for future restoration
report_eco(); # ECO report
check_design("-eco");# Check if the ECO causes any issue, like floating
write_verilog("eco_verilog.v");# Write out ECO result in Verilog
run Lec(); # Run GOF LEC to generate Formality help files
write_compare_points("compare_points.report");
write_formality_help_files("fm_dir/formality_help"); # formality_help files are generated in fm_dir folder
# fm_dir/formality_help.config.tcl can be used in Formality script to pass logic equivalence checking
exit; # Exit when the ECO is done, comment it out to go to interactive mode when 'GOF >' appears
```

2.2.4 Run and debug in automatic functional ECO

The ECO Script can be run by '-run' option.

```
gof -run run_example.pl
```

Check [Run and debug ECO script section](#) in User Manual for more detail

2.2.5 Synthesize sub-modules only

Performing a complete top-level netlist synthesis can be time-consuming. GOF provides APIs enabling the integration of newly synthesized sub-modules into the original pre-layout netlist, along with updates to the top-level SVF file. This incremental approach allows the generation of the large top-level netlist and the top-level SVF file, resulting in significant time and effort savings. At the RTL level, designers identify modified RTL modules during ECO and synthesize them to create netlist and SVF files. Some altered RTL modules, particularly sub-parent modules with only sub-module instantiations, may not require synthesis.

In Figure 4, only two sub-modules, SUB_MOD31 and SUB_MOD32, require re-synthesis in the extensive SOC_TOP design. Their parent module has only experienced connection changes and remains in netlist format, eliminating the need for synthesis. The example below illustrates how to process these files and generate a new SOC_TOP level netlist and SVF file.

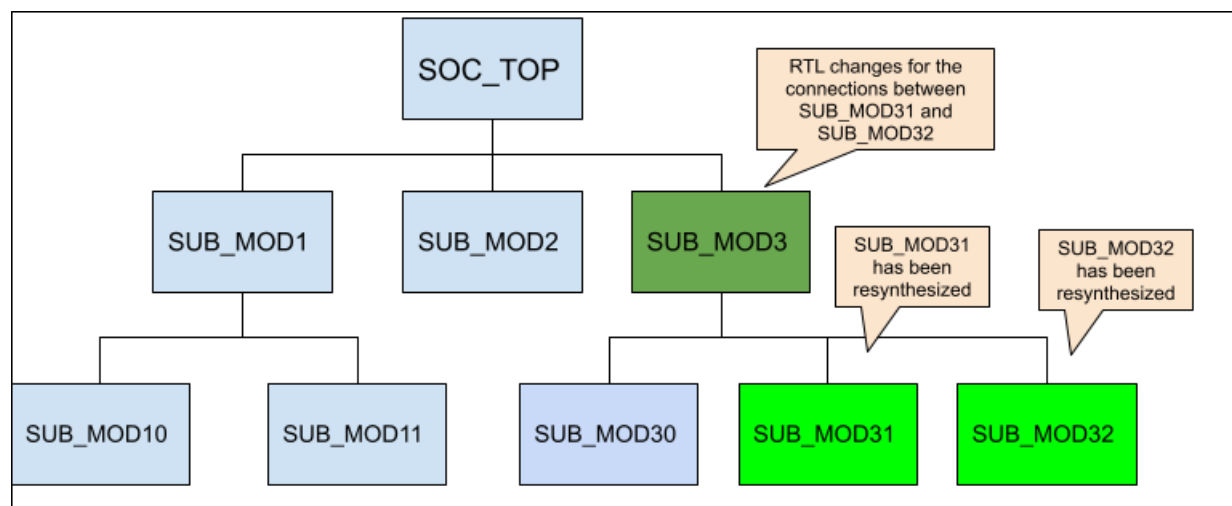


Figure 4: Sub-modules to be synthesized

Step 1: Add missing DFT ports

The newly synthesized sub-modules may lack certain ports present in the original netlist. Notably, ports essential for scan in and scan out are typically added by the DFT tool. Since the DFT process is not applied to the new synthesized sub-modules, it's necessary to incorporate these ports as dummy ones within the modules to avoid syntax errors.

The procedure for incorporating DFT ports into the newly synthesized modules is as follows:

```
use strict;
read_library("tsmc.lib");
read_design("-ref", "SOC_TOP.pre_layout.gv");# Read in the original pre_layout netlist
read_design("-imp", "SUB_MOD31.new_syn.gv");# Read in new synthesized netlist
set_tree("ref");
set_top("SUB_MOD31_1"); # The old pre-layout netlist may have this module with prefix or suffix added in uniquify
my @ref_port_ins = get_ports("-input");
my @ref_port_outs = get_ports("-output");
set_tree("imp");
set_top("SUB_MOD31");
my @imp_port_ins = get_ports("-input");
my @imp_port_outs = get_ports("-output");
my $cnt = 0;
foreach my $port (@ref_port_ins){
  if(!grep($port eq $_, @imp_port_ins)){ # The input port is not in the new synthesized module
    new_port($port, "-input");
    gprint("$cnt: Warning input $port is not in the new synthesized sub-module\n"); $cnt++;
  }
}
foreach my $port (@ref_port_outs){
  if(!grep($port eq $_, @imp_port_outs)){ # The output port is not in the new synthesized module
    new_port($port, "-output");
    gprint("$cnt: Warning output $port is not in the new synthesized sub-module\n"); $cnt++;
  }
}
write_verilog("SUB_MOD31.dft_ports_added.gv");
exit;
```

The identical process should be executed on SUB_MOD32 to include the necessary DFT-related ports.

Step 2: Replace sub-modules netlist and SVF



During this step, the DFT ports added netlist and SVF files of the synthesized sub-modules are read to substitute the original pre-layout netlist and SVF files.

The procedure for replacing netlist and SVF:

```
read_library("tsmc.lib");
read_svf("-imp", "SOC_TOP.pre_layout.svf");
read_design("-imp", "SOC_TOP.pre_layout.gv");
read_sub_module_svf("SUB_MOD31.svf.txt", "-module", "SUB_MOD31_1", "-syn_module", "SUB_MOD31");
read_sub_module_svf("SUB_MOD32.svf.txt", "-module", "SUB_MOD32_1", "-syn_module", "SUB_MOD32");
read_sub_module_netlist("SUB_MOD31.dft_ports_added.gv", "-module", "SUB_MOD31_1", "-syn_module", "SUB_MOD31");
read_sub_module_netlist("SUB_MOD32.dft_ports_added.gv", "-module", "SUB_MOD32_1", "-syn_module", "SUB_MOD32");
read_sub_module_netlist("SUB_MOD3.new.v", "-module", "SUB_MOD3_1", "-syn_module", "SUB_MOD3", "-sub_only"); # Need sub_only option

replace_sub_module_netlist("SOC_TOP.new_reference.gv"); # Replace netlist should be run first
replace_sub_module_svf("SOC_TOP.new_reference.svf"); # Then replace SVF
```

After the generation of both the top-level netlist and SVF files, they can be incorporated into the complete top-level automatic ECO process.

2.2.6 SVF files support

When working with designs that include multibit flops or significant name changes, SVF files can be a valuable tool for facilitating key point mapping. Although multibit flops are used to reduce silicon area and power consumption, the different combinations of single bit flop instances in each multibit flop instance can create challenges for key point mapping, especially when combined with name changes. Additionally, backend tools may split or merge multibit flops, further complicating the process. To avoid these challenges and ensure accurate key point mapping, it's highly recommended to load SVF files when working with multibit flops. For more information on this topic, please refer to the [Multibit Flops in ECO](#) section.

2.2.7 Multibit flops in ECO

Multibit flops can pose a challenge in logic equivalence check and ECO due to the different naming conventions used by various synthesis tools. For example, as depicted in Figure 5, a four-bit multibit flop has a different naming style in Cadence Genus compared to Synopsys Design Compiler after name changing. Additionally, backend tools may split some multibit flops into single bit flops to address timing issues. These factors make key point mapping a complex task.

In logic equivalence check, multibit flops need to be mapped to single flops. However, the mapping of single flops to multibit flops from the Reference Netlist may differ from the Implementation Netlist. For instance, in Figure 5, the Implementation Netlist has a four-bit multibit flop instance named 'a_reg_0_2_4_', whereas the Reference Netlist after Synthesis may have two-bit multibit flops named 'a_reg_0_1_' and 'a_reg_2_4_'. Depending solely on naming conventions may not lead to the correct multibit to single bit mapping. Although LEC and ECO tools can handle some limited multibit to single bit mapping using comprehensive algorithms, there is no guarantee of complete successful mapping.

Multibit Flop Instance Naming:

Genus:

CDN_MBIT_a_reg_0_MB_a_reg_1_MB_a_reg_2_MB_a_reg_4_

Design Compiler:

a_reg_0_2_4_

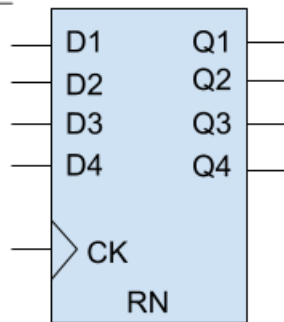


Figure 5: Multibit flop naming in synthesis tools

GOF provides support for accurate and reliable key point mapping through the use of text mode SVF files from Design Compiler. These SVF files are encrypted by default, but can be converted to text mode when using Formality to read the encrypted file. Additionally, GOF can convert backend multibit flop split/merge information into an SVF file. By reading both the synthesis SVF and the converted SVF file, GOF is able to completely resolve the mapping of multibit flops to single bit flops.

For instance, Innovus generates a multi_bit_pin_mapping file to store split and merge information. This file can be converted to an SVF text file using a GOF script.

Here is an example script for converting an Innovus multi_bit_pin_mapping file:

```
read_library("libdir/art.lib");
set_multibit_blasting(0); # Disable multibit blasting
read_design("-imp", "imp_net.v");
set_top("the_top");

open(FIN, "./multi_bit_pin_mapping");
my $mbit_split = {};
my $mbit_merge = {};
while(<FIN>{
  my ($from, $to) = (m/(\S+)\s+(\S+)/);
  $from =~ s/\/\w+$/; # remove the pin
  $to =~ s/\/\w+$/;
  my ($module, $to_inst) = get_resolved($to);
  my ($from_inst) = ($from =~ m/([^\s/]+)/);
  my $libcell = get_ref($to);
  gprint("get ref of $to as $libcell\n");
  my $is_ff = is_seq($libcell, "-ff");
  if($is_ff){
    if(is_seq($libcell, "-bank")==0){
      if(!exists $mbit_split->{$module}{$from_inst}){
        $mbit_split->{$module}{$from_inst} = [];
      }
      if(grep($_ eq $to_inst, @{$mbit_split->{$module}{$from_inst}})==0){
        gprint("Multibit split in $module $from_inst to $to_inst\n");
        push @{$mbit_split->{$module}{$from_inst}}, $to_inst;
      }
    }else{
      # Bank
      if(!exists $mbit_merge->{$module}{$to_inst}){
        $mbit_merge->{$module}{$to_inst} = [];
      }
      if(grep($_ eq $from_inst, @{$mbit_merge->{$module}{$to_inst}})==0){
        gprint("Multibit merge in $module $from_inst to $to_inst\n");
        push @{$mbit_merge->{$module}{$to_inst}}, $from_inst;
      }
    }
  }
}
close(FIN);

my $svf = "";
foreach my $module (keys %$mbit_merge){
  $svf .= "guide multibit -design $module -type { svfMultibitTypeBank } \\n";
}
```

```

$svf . = " -groups { \\n";
foreach my $mbit_inst (keys %{$mbit_merge->{$module}}){
  my $i_st = "";
  my $cnt = 0;
  foreach my $s_bit (@{$mbit_merge->{$module}{$mbit_inst}}){
    $i_st .= " $s_bit 1";
    $cnt++;
  }
  $i_st .= " $mbit_inst $cnt";
  $svf .= "\t{ $i_st } \\n";
}
$svf . = " \\n";
}
foreach my $module (keys %{$mbit_split}){
  $svf . = "guide_multibit -design $module -type { svfMultibitTypeSplit } \\n";
  $svf . = " -groups { \\n";
  foreach my $mbit_inst (keys %{$mbit_split->{$module}}){
    my $i_st = "";
    my $cnt = 0;
    foreach my $s_bit (@{$mbit_split->{$module}{$mbit_inst}}){
      $i_st .= " $s_bit 1";
      $cnt++;
    }
    $i_st = " $mbit_inst $cnt $i_st";
    $svf .= "\t{ $i_st } \\n";
  }
  $svf . = " \\n";
}
open(FOUT, ">backend_multibit.svf.txt");
print FOUT $svf;
close(FOUT);

```

Two SVF files for Implementation are loaded in the implementation read_svf:

```

read_svf("-ref", "reference.svf.txt");
read_svf("-imp", "implementation.svf.txt", "backend_multibit.svf.txt"); # Two SVF files are loaded
read_design("-ref", "reference.gv"); # Read in Reference Netlist
read_design("-imp", "implementation.gv"); # Read in Implementation Netlist Which is under ECO

```

2.2.8 ECO Retargeting

The synthesis of a large SOC design is known for its time-intensive nature, often taking several days to complete. In cases where a functional ECO is necessary, particularly concerning a specific sub-module, the design team opts to confine the ECO to that particular sub-module instead of initiating synthesis for the entire design. Following this, the ECO results for the sub-module are retargeted onto the full top-level netlist. This strategy significantly accelerates the turnaround time and ensures the project schedule remains on track.

However, the team must factor in the boundary optimization of the sub-modules during backend processing. A given sub-module may have undergone unique transformations, resulting in the creation of multiple distinct physical modules with diverse backend optimizations. Illustrated in Figure 6, an instance of SUB_MOD_A may exemplify a backend modification, such as a port inversion.

Consequently, the automatic ECO process must be designed to account for these variations in backend processing, ensuring a comprehensive and accurate adaptation to the specific characteristics of each sub-module.

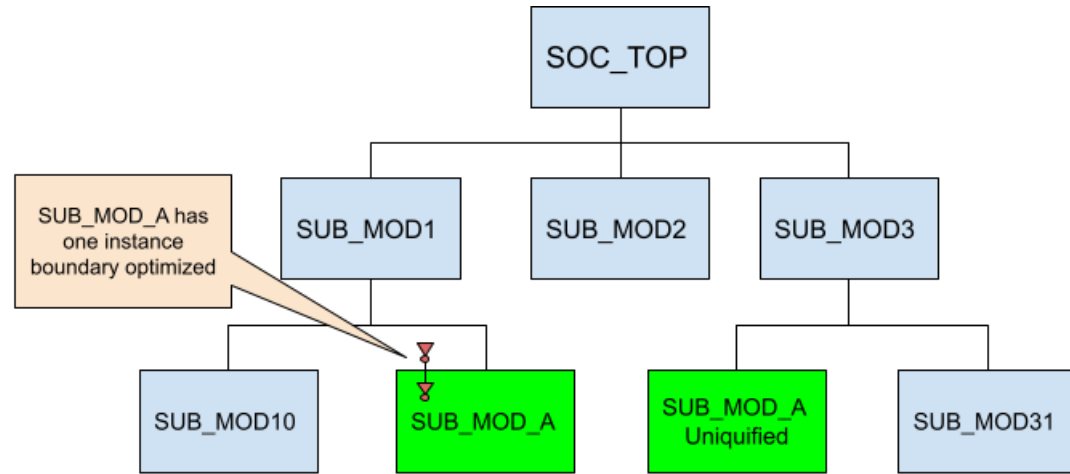


Figure 6: Instances of one sub-module have different boundary optimization

The boundary optimization challenge in GOF is addressed by incorporating the original pre-layout netlist. This is possible because the pre-layout netlist should mirror the state of the netlist before any ECO is implemented, with the boundary remaining unchanged prior to the placement and routing phase.

To extract the boundary optimization of sub-modules during ECO, a comparison is made between the pre-layout netlist and the netlist under ECO. As the automatic ECO is applied to individual sub-modules, the relevant boundary optimization information is retroactively annotated. This ensures the precision of the ECO and establishes equivalence when comparing top-level designs.

The loading of the pre-layout netlist is facilitated by using the "-ori_syn" option in the "read_design" command.

ECO retargeting script:

```

read_design('-ref', "new_sub_mode_a.gv"); # New synthesized sub-module-A
read_design('-imp', "post_layout.gv"); # Full post layout netlist
read_design('-ori_syn', "pre_layout.gv"); # Full prelayout, equal to post_layout.gv
# Apply ECO to the first instance
set_top_ref("SUB_MOD_A"); # Must set REF scope
set_top("SUB_MOD_A_0"); # Uniquified name for the first instance
fix_design;
# Apply ECO to the second instance
set_top_ref("SUB_MOD_A"); # Must set REF scope
set_top("SUB_MOD_A_1"); # Uniquified name for the second instance
fix_design;
set_top("SOC_TOP");
report_eco();
write_verilog("post_layout.eco.gv"); # Full post layout netlist after ECO

```

This entire retargeting procedure is notably more time-efficient compared to performing a full netlist ECO. With the boundary information being meticulously addressed, the resulting ECO is highly accurate.

2.2.9 DFT Constraints

To prevent false non-equivalence in LEC and ECO, constraints must be placed on the DFT logic. In the traditional DFT flow, the DFT logic is typically incorporated into the RTL design, which appears in both the Reference Netlist and the Implementation Netlist. In contrast, the modern DFT flow, which supports IEEE1687 and IEEE1500 standards, inserts the DFT logic into the Implementation Netlist using a DFT tool like Mentor Tessent. To ensure that the Implementation Netlist, which contains DFT logic inserted by the DFT tool, matches the Reference Netlist, which lacks DFT logic, a Logic Equivalence Check must be performed. To prevent redundant or false ECO fixes, the DFT logic must be correctly constrained in the automatic functional ECO process.

In the traditional DFT flow, as illustrated in the left side of Figure 7, constraints are placed on the ports. For instance, DFT control signals such as TEST_EN are set to zero, while the normal functional ports are left unconstrained.

```

# Set DFT Constraints

```

```
set_pin_constant("TEST_EN", 0);
set_pin_constant("scan_mode", 0);
set_ignore_output("scan_out*");
```

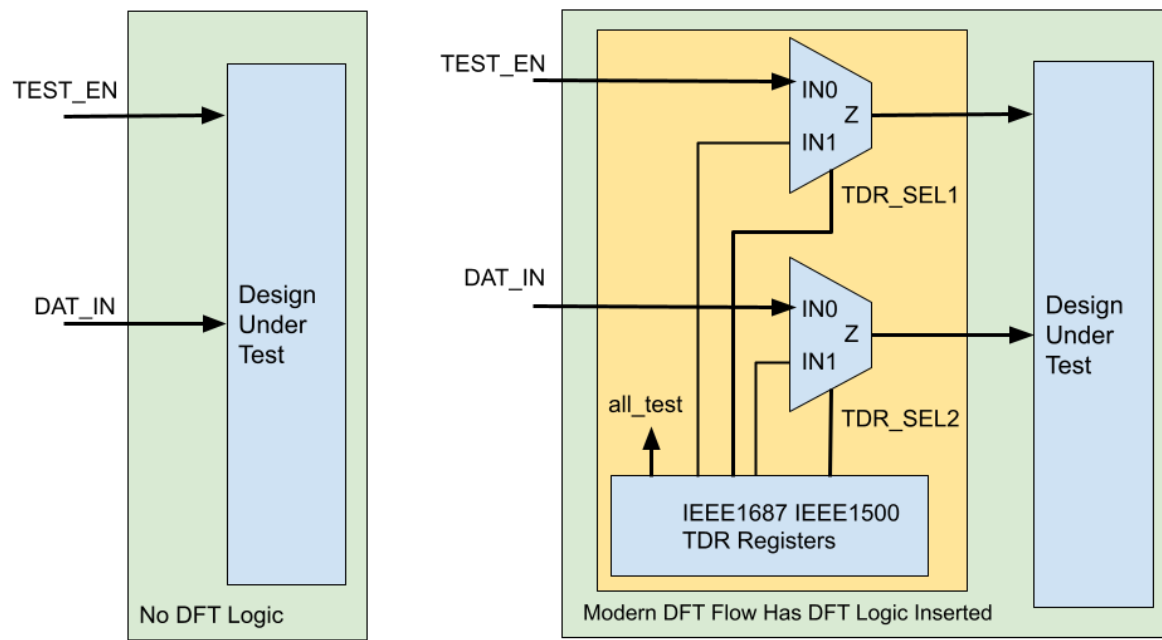


Figure 7: DFT Constraints in Automatic Functional ECO

In the modern DFT flow, these inserted DFT logic by the DFT tool as shown in the right side of Figure 7 should be constrained to be in inactive state. The control signals driven by TDR registers should be constrained to zeros.

GOF provides several APIs to constrain the DFT logic, `set_ignore_output`, `set_pin_constant` and `set_net_constant`. The API `set_net_constant` can be used to constrain the TDR registers signals. Since TDR registers are not ports, so they have be treated as nets.

```
# Set DFT Constraints for the modern DFT flow
set_pin_constant("TEST_EN", 0);
set_pin_constant("scan_mode", 0);
set_ignore_output("scan_out*");
set_net_constant("TDR_SEL0", 0, "-imp"); # TDR register net only exists in Implementation Netlist
set_net_constant("TDR_SEL1", 0, "-imp");
set_net_constant("all_test", 0, "-imp");
# For memories that have pins directly controlled by TDRs
set_ignore_pin("TSMC_MEM_256X29/TCEN*");
```

The full script with constraints on the traditional DFT flow is shown below :

```
# GOF ECO script, run_example_exclude_test_logic.pl
# The SOC_TOP design should have scan insertion test logic excluded in ECO.
# The scan out bus pin has naming of scan_out[199:0] and API set_ignore_output can be used to exclude LEC check on scan_out in ECO.
# And TEST_EN and scan_mode are two scan set up signals which can be forced to zeros by API set_pin_constant.
use strict;
undo_eco; # Discard previous ECO operations
setup_eco("eco_example"); # Setup ECO name
read_library("tsmc.lib"); # Read in standard library
read_svf("-ref", "reference.svf.txt"); # Optional, must be loaded before read_design, must be in text format
read_svf("-imp", "implementation.svf.txt"); # Optional, must be loaded before read_design, must be in text format
read_design("-ref", "reference.gv"); # Read in Reference Netlist
read_design("-imp", "implementation.gv"); # Read in Implementation Netlist Which is under ECO
set_top("SOC_TOP"); # Set the top to the most top module SOC_TOP
set_ignore_output("scan_out*");
set_pin_constant("TEST_EN", 0);
set_pin_constant("scan_mode", 0);
fix_design;
save_session("current_eco_name"); # Save a session for future restoration
report_eco(); # ECO report
check_design("-eco"); # Check if the ECO causes any issue, like floating
write_verilog("eco_verilog.v"); # Write out ECO result in Verilog
exit; # Exit when the ECO is done, comment it out to go to interactive mode when 'GOF >' appears
```

The full script with constraints on the modern DFT flow is shown below :

```
# GOF ECO script, dft_constraints_on_inserted_test_logic.pl
# set_net_constant is used to constrain TDR register nets to zeros
use strict;
undo_eco; # Discard previous ECO operations
setup_eco("eco_example"); # Setup ECO name
read_library("tsmc.lib"); # Read in standard library
read_svf("-ref", "reference.svf.txt"); # Optional, must be loaded before read_design, must be in text format
read_svf("-imp", "implementation.svf.txt"); # Optional, must be loaded before read_design, must be in text format
read_design("-ref", "reference.gv"); # Read in Reference Netlist
read_design("-imp", "implementation.gv"); # Read in Implementation Netlist Which is under ECO
set_top("SOC_TOP"); # Set the top to the most top module SOC_TOP
set_ignore_output("scan_out*");
set_pin_constant("TEST_EN", 0);
set_pin_constant("scan_mode", 0);
set_net_constant("TDR_SEL0", 0, "-imp"); # TDR register net only exists in Implementation Netlist
set_net_constant("TDR_SEL1", 0, "-imp");
set_net_constant("all_test", 0, "-imp");
fix_design;
save_session("current_eco_name"); # Save a session for future restoration
report_eco(); # ECO report
check_design("-eco"); # Check if the ECO causes any issue, like floating
write_verilog("eco_verilog.v"); # Write out ECO result in Verilog
exit; # Exit when the ECO is done, comment it out to go to interactive mode when 'GOF >' appears
```

2.2.10 DFT Design Rule Checker

It's common for DFT logic to be broken during functional ECO processes, which involve modifying a design for functional reasons after it has already been verified. Since DFT control signals are disabled during functional ECO, the ECO tool is not aware that DFT logic has been modified and cannot verify its functionality. When the modified netlist is ready to be tested using DFT tool, it can take a long time to identify issues. GOF provides a fast DFT Design Rule Checker that can quickly identify issues with DFT logic. A fundamental design rule for DFT is to ensure that the scan chain is complete, meaning that it can be used to capture and output test patterns during testing. Additionally, clock and reset signals should be controllable during test mode to enable proper test pattern application.

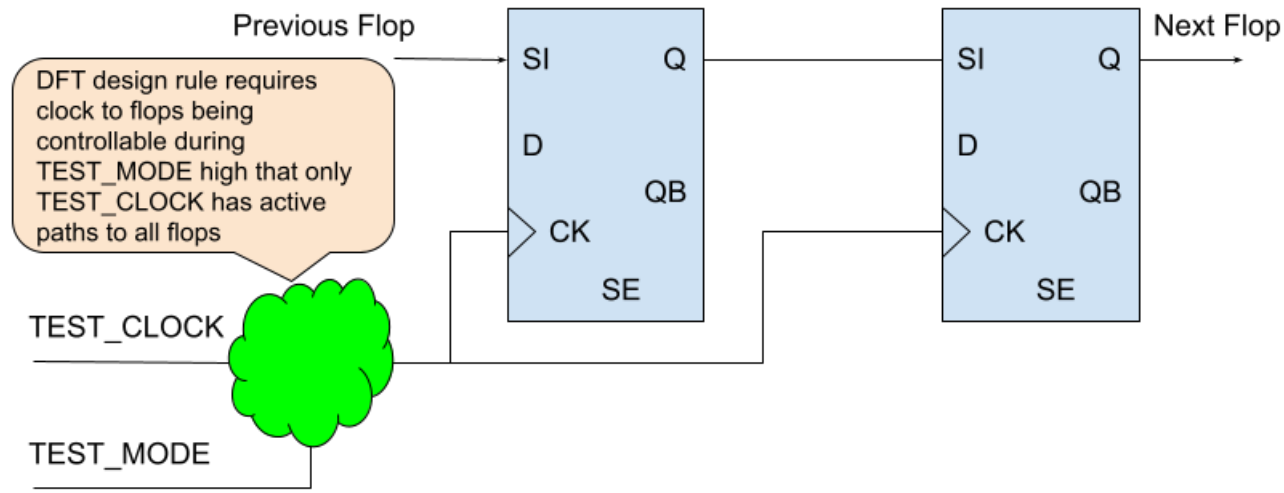


Figure 8: DFT Design Rule Checker

The script to do DFT Design Rule Check:

```

set_log_file("dft_drc.log"); # Set log file name
read_library("art.5nm.lib"); # Read in liberty file
read_design('-imp', 'dft_top.v'); # Read in the design with DFT implemented
set_top("DFT_TOP"); # Set the top module name
set_pin_constant("test_scan_shift", 1); # Set scan shift pin to 1
set_pin_constant("all_test_reg/Q", 1); # Set TDR all_test register Q to 1
set_pin_constant("test_mode_reg/Q", 1); # Set TDR test_mode register Q to 1
create_clock("occ_add_1_inst/U0/Z", 10); # Set clock on OCC drivers, maybe multiple
create_clock("occ_add_2_inst/U0/Z", 10); # Set clock on OCC drivers, maybe multiple
create_reset("power_on_reset", 0); # Set reset pin
set_top("DESIGN_TOP"); # pin_si/pin_so is internal pins of DFT_TOP
set_scan_pairs("pin_si[0]", "pin_so[0]"); # Add scan chain pair 0
set_scan_pairs("pin_si[1]", "pin_so[1]"); # Add scan chain pair 1
# More scan chain can be added. These codes can be handled by a for loop command
set_top("DFT_TOP");
my $err = dft_drc;
if($err){
  gprint("DFT DRC found $err errors\n");
}

```

The Design Rule Checker can catch these issues by error codes:

- ERROR_CLOSE_LOOP: A flop driving its own SI by Q pin
- ERROR_CLOCK: A flop having clock that cannot be controllable in DFT mode
- ERROR_CLOCK_UNDEFINED: A flop driven by a clock not defined as DFT clock
- ERROR_MULTI_PATHS: Scan chain having multiple paths
- ERROR_SE_NOT_ASSERT: A flop having shift enable pin not asserted
- ERROR_RESET_GLITCH: A flop having reset pin with multiple active paths which may cause glitch
- ERROR_RESET: A flop having reset pin not controllable in DFT mode
- ERROR_SET_GLITCH: A flop having set pin with multiple active paths which may cause glitch
- ERROR_SET: A flop having set pin not controllable in DFT mode
- ERROR_END_CONST: A scan chain ending with constant
- ERROR_END_AT_INST: A scan chain ending with a non-flop, nor EDT logic

For instance, DFT DRC catches ERROR_MULTI_PATHS error in a functional ECO when an NAND gate is inserted between back-to-back flops.

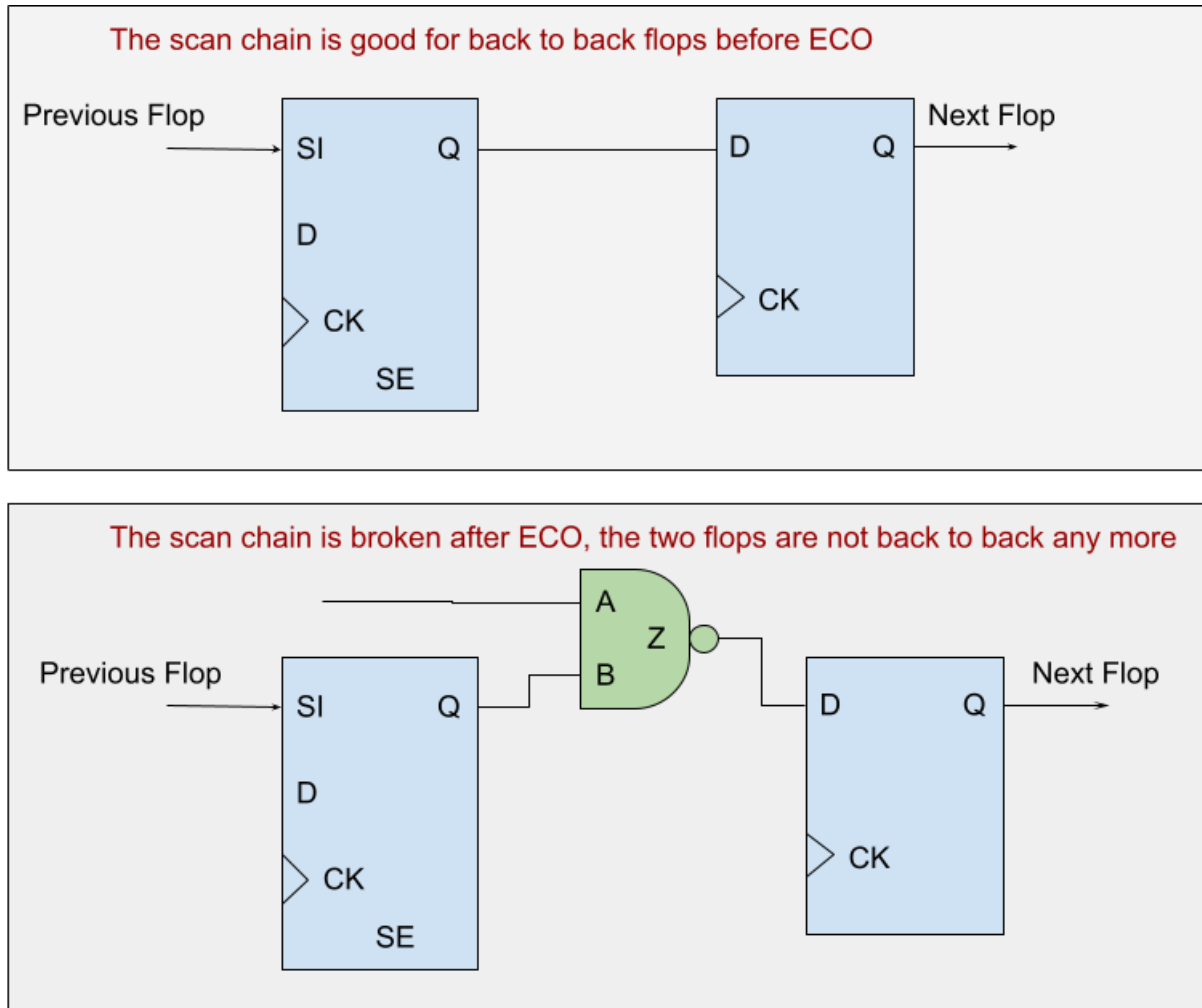


Figure 9: Broken scan chain in functional ECO

There are two solutions to fix the error. The first solution involves changing the drain flop, FLOP_B, to a scan type flop with scan_in and scan_enable pins.

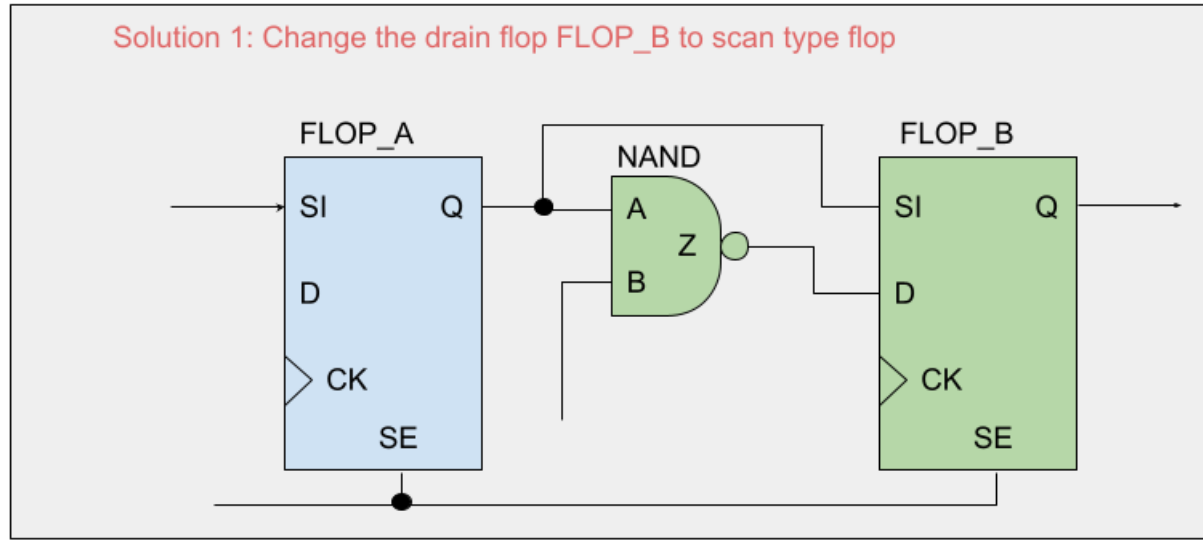


Figure 10: Solution 1 to change the drain flop scan type

The second solution involves inserting a MUX before the D input of FLOP_B. The selection signal of the MUX is controlled by the scan_enable signal to select the output of the previous flop, FLOP_A, when scan_enable is asserted.

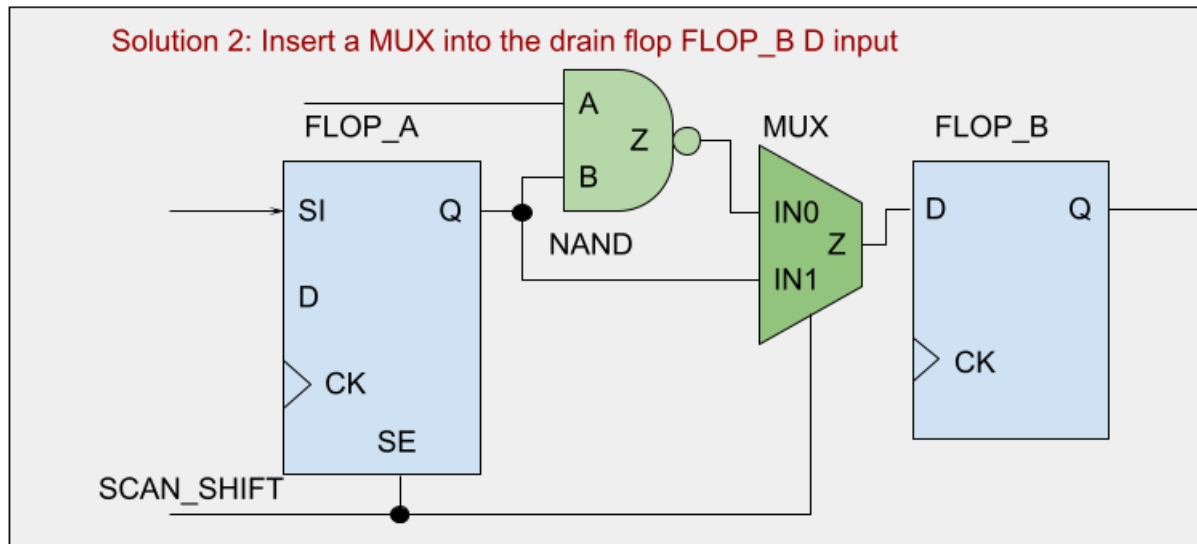


Figure 11: Solution 2 to insert a MUX to fix the scan chain

Both solutions can be implemented using GOF in either GUI mode ECO or script mode ECO. After the necessary fixes have been made, the DFT DRC will be free of errors.

For more information on GUI mode ECO, please refer to [this page](#).

The commands to fix the logic in script mode:

```
#Solution 1
change_gate("FLOP_B", "SDFFHQX1", ".SI(FLOP_A/Q),.SE(FLOP_A/SE)");
#Solution 2
change_pin("FLOP_B/D", "MX2X4", "u_dft_eco_mux", "-,FLOP_A/Q,FLOP_A/SE");
```

2.2.11 No Exact Pin Match

Physical Synthesis is more and more popular in logic synthesis. Physical Synthesis tool, Design Compiler Topographical(DCT) or Design Compiler Graphical(DCG) for example, may add hierarchical pins that are not in RTL code and it may cause mapping issue when Implementation Netlist is comparing with Reference Netlist in ECO.

For example, DCT may add 'IN0', 'IN1', 'IN2', 'IN2_BAR' ... to hierarchical modules. The new added pins are not necessarily matching to each other in Implementation Netlist and Reference Netlist. That is, IN0 in module A in Reference Netlist maybe a different signal from IN0 in module A in Implementation Netlist.

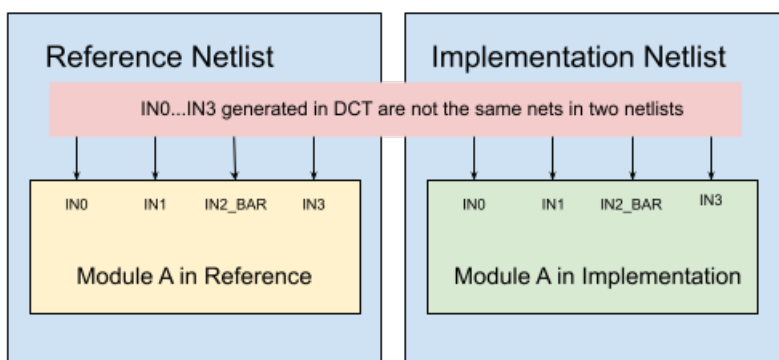


Figure 12: No Exact Pin Match

These pins are randomly named in each run. They won't affect logic equivalence check, but they need to be excluded in pin matching in ECO. Otherwise, the ECO tool would insert redundant logic or wrong logic.

API set_noexact_pin_match can be used to resolve the mapping issue between Implementation Netlist and Reference Netlist.

By adding the port naming regular expression in the API argument, set_noexact_pin_match('\bIN\d+(_BAR)?\b'), these ports will be remapped.

Note: This API should be run before reading designs.

```
# GOF ECO script, run_example_noexact_pin_match.pl
use strict;
undo_eco;# Discard previous ECO operations
setup_eco("eco_example");# Setup ECO name
read_library("art.90nm.lib");# Read in standard library
set_noexact_pin_match('\bIN\d+(_BAR)?\b');# The argument is in REGEX format to detect IN0/IN0_BAR/IN1...
# Note: set_noexact_pin_match API should be run before reading designs!
read_svdf("-ref", "reference.svdf.txt");# Optional, must be loaded before read_design, must be in text format
read_svdf("-imp", "implementation.svdf.txt");# Optional, must be loaded before read_design, must be in text format
read_design("-ref", "reference.gv");# Read in Reference Netlist
read_design("-imp", "implementation.gv");# Read in Implementation Netlist Which is under ECO
set_top("SOC_TOP");# Set the top to the most top module SOC_TOP
set_ignore_output("scan_out*");
set_pin_constant("scan_enable", 0);
set_pin_constant("scan_mode", 0);
```

```
fix_design;
save_session("current_eco_name"); # Save a session for future restoration
report_eco(); # ECO report
check_design("-eco"); # Check if the ECO causes any issue, like floating
write_verilog("eco_verilog.v"); # Write out ECO result in Verilog
exit; # Exit when the ECO is done, comment it out to go to interactive mode when 'GOF >' appears
```

2.2.12 Flip-flop Phase Inverted

During the pre-mask design stage, transitioning a flip-flop from resettable to settable type or vice versa is a relatively straightforward task. However, making such changes during the post-mask design stage can be challenging because it can be difficult to locate an available spare flip-flop to replace the original one. To overcome this challenge, a common approach is to add inverters to the input and output pins of the flip-flop while maintaining its original set/reset type.

Aside from resolving the issue of locating spare flip-flops, adding inverters to the flip-flop input and output pins can also address timing or power-related concerns. In some cases, this technique can help with timing closure or reduce power consumption.

It is essential to note, however, that implementing such changes can lead to challenges during logic equivalence checking. Incorrectly addressing these changes can result in false non-equivalent points, leading to design uncertainty. As such, appropriate measures should be taken to ensure that the changes made to the flip-flop type do not affect logic equivalence checking.

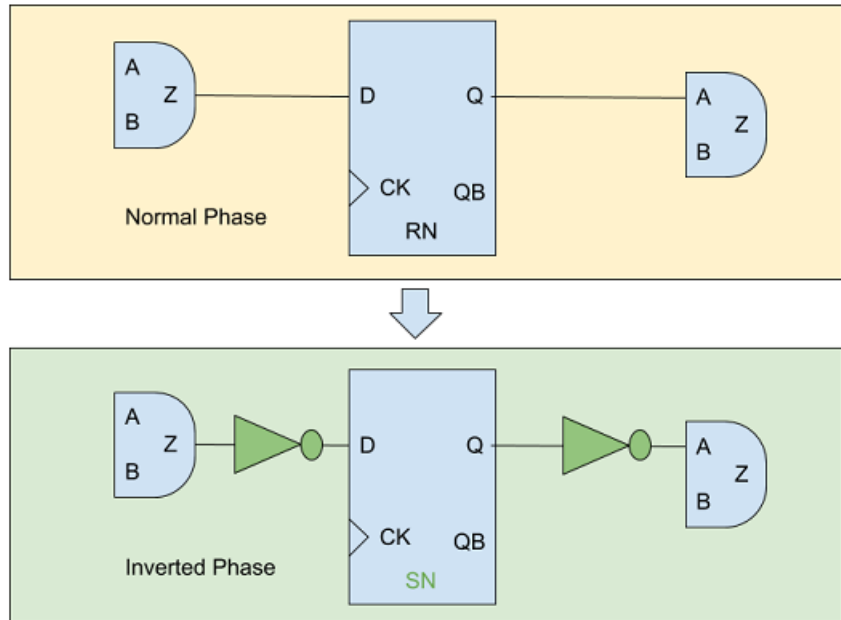


Figure 13: Flip-flop Phase Inverted

To address this issue, the GOF platform provides an API command to configure these cases. The `set_mapping_method('-phase')` API is utilized to handle such situations and ensure that the changes made to the flop type do not cause false non-equivalent result.

```
# GOF ECO script, run_example_ff_phase_inverted.pl
use strict;
undo_eco; # Discard previous ECO operations
setup_eco("eco_example"); # Setup ECO name
read_library("art.90nm.lib"); # Read in standard library
read_svf("-ref", "reference.svf.txt"); # Optional, must be loaded before read_design, must be in text format
read_svf("-imp", "implementation.svf.txt"); # Optional, must be loaded before read_design, must be in text format
read_design("-ref", "reference.gv"); # Read in Reference Netlist
read_design("-imp", "implementation.gv"); # Read in Implementation Netlist Which is under ECO
set_top("SOC_TOP"); # Set the top to the most top module SOC_TOP
set_mapping_method('-phase'); # Check flop phase during LEC
set_ignore_output("scan_out*");
set_pin_constant("scan_enable", 0);
set_pin_constant("scan_mode", 0);
fix_design;
save_session("current_eco_name"); # Save a session for future restoration
report_eco(); # ECO report
check_design("-eco"); # Check if the ECO causes any issue, like floating
write_verilog("eco_verilog.v"); # Write out ECO result in Verilog
exit; # Exit when the ECO is done, comment it out to go to interactive mode when 'GOF >' appears
```

2.2.13 Tie High Tie Low nets

By default, GOF uses 1'b0 for tie low net and 1'b1 for tie high net. Some designs may prefer tie cell over 1'b0/1'b1. API `set_tiehi_net` and `set_tielow_net` can be used to control which tie format is used. To overwrite the default 1'b0/1'b1, simply set empty argument to the APIs.

```
# Set empty argument to set_tiehi_net/set_tielow_net to use Tie Cells
set_tiehi_net(""); # Tie High cell will be used instead of 1'b1
set_tielow_net(""); # Tie Low cell will be used instead of 1'b0
```

2.2.14 Stitch new flops into scan chain

To prevent any loss of DFT coverage, it is recommended to integrate new flops added in an ECO into the existing scan chains. Industrial data suggests that in a design with 100K flops, 100 newly added non-scan flops can lead to a DFT coverage loss of over 0.1%. Such loss of DFT coverage is unacceptable for high-reliability chips, such as those used in automobiles. Therefore, if there are any new flops introduced in a functional ECO, it is necessary to redo the scan chain to incorporate the new flops.

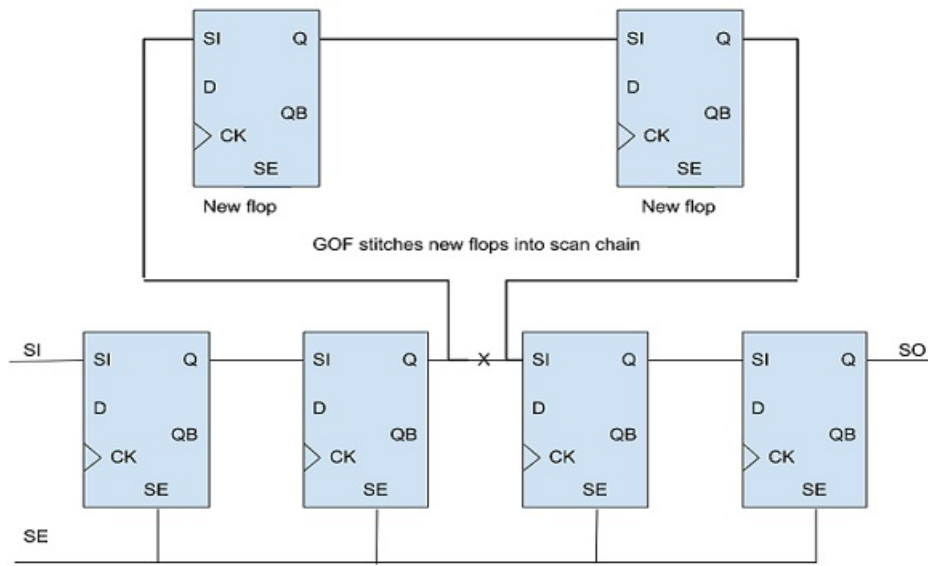


Figure 14: Stitch scan chain

There are multiple methods available in GOF to insert new flops into scan chains. One option is to utilize the 'stitch_scan_chain' API, which automatically integrates the new flops into the scan chains. Alternatively, there are several netlist processing APIs that can be used to manually insert the new flops into the scan chains.

Automatic mode to insert flops into a scan chain in the local modules

An automatic method can be used to integrate flops into a scan chain within local modules. In the following example script, suppose the 'fix_design' command adds eight new flops named 'state_new_reg_0' to 'state_new_reg_7'. To integrate these flops into the scan chain within the local module:

```
# API stitch_scan_chain without any argument to insert new flops in the local modules
stitch_scan_chain();
```

Automatic mode to insert flops before one flop

GOF offers an automatic method to insert new flops before a specified flop instance. Users can identify the instance name of one flop, and GOF will insert all new flops into the scan chain before that instance.

For instance, let's say it is required to integrate all the new flops into the scan chain prior to the instance named 'u_pixel_ctrl/pulse_reg':

```
# API stitch_scan_chain with -to option
stitch_scan_chain('-to', 'u_pixel_ctrl/pulse_reg');
```

Manual mode to connect up all new flops

The scan chain can be re-connected up manually by ECO APIs. And new scan in/out ports are created.

```
# GOF ECO script, run_manual_stitch_scan_chain_example.pl
use strict;
undo_eco; # Discard previous ECO operations
setup_eco("eco_manual_stitch_scan_chain_example"); # Setup ECO name
read_library("art.5nm.lib"); # Read in standard library
read_svf("-ref", "reference.svf.txt"); # Optional, must be loaded before read_design, must be in text format
read_svf("-imp", "implementation.svf.txt"); # Optional, must be loaded before read_design, must be in text format
read_design("-ref", "reference.gv"); # Read in Reference Netlist
read_design("-imp", "implementation.gv"); # Read in Implementation Netlist Which is under ECO
set_top("topmod"); # Set the top module
set_ignore_output("scan_out*");
set_pin_constant("scan_enable", 0);
set_pin_constant("scan_mode", 0);
fix_design;
save_session("current_eco_name"); # Save a session for future restoration
set_error_out(0); # Don't exit if finds error
my @flops = get_cells("-hier", "-nonscan"); # Find all new flops that are not in scan chain yet
# @flops can be defined by reading a list file
if(scalar(@flops)){ # If there are new flops, start the work
  new_port("sol", "-output"); # New a scan out port sol
  new_port("sil", "-input"); # New a scan in port sil
  my $cnt = 0;
  my $now_si;
  foreach my $flop (@flops){
    $cnt++;
    if(is_scan_flop($flop)==0){
      my $flop_name = get_ref($flop);
      my $scanflop = get_scan_flop($flop_name); # If the flop is not scan type, change to scan type flop
      change_gate($flop, $scanflop);
    }
    if($cnt==1){
      change_port("sol", "$flop/Q"); # The first flop drives the new scan out port
    }else{
      change_pin($now_si, "$flop/Q");
    }
    $now_si = "$flop/SI";
    change_pin("$flop/SE", "te"); # All scan enable pin is connected to scan enable signal
  }
  change_pin($now_si, "sil"); # The last flop has the new scan in port driving SI pin
}
write_verilog("eco_verilog.v"); # Write out ECO result in Verilog
exit;
```

2.2.15 Add a new module

The module mentioned in the section above can have hierarchy kept instead of flatten, and being written into ECO netlist as whole. This flow needs the module and its sub-modules written out in a separate verilog file, then uses read_library to load the file with '-vmacro' option. GOF treats the module as a leaf cell.

An example for adding a new module:

```
# GOF ECO script, run_new_module_example.pl
use strict;
undo_eco; # Discard previous ECO operations
setup_eco("eco_hier_example"); # Setup ECO name
read_library("tsmc.lib"); # Read in standard library
read_library("-vmacro", "syn_macro.v"); # The syn_macro module is added into the netlist
read_svf("-ref", "reference.svf.txt"); # Optional, must be loaded before read_design, must be in text format
read_svf("-imp", "implementation.svf.txt"); # Optional, must be loaded before read_design, must be in text format
read_design("-ref", "reference.gv"); # Read in the Reference Netlist
# Read in the implementation netlist which is under ECO
read_design("-imp", "implementation.gv");
set_top('top'); # Set the top module
set_ignore_output("scan_out*");
set_pin_constant("scan_enable", 0);
set_pin_constant("scan_mode", 0);
fix_design;
```



```
save_session("current_eco_name"); # Save a session for future restoration
report_eco(); # ECO report
check_design("-eco"); # Check if the ECO causes any issue, like floating
write_verilog("eco_verilog.v"); # Write out ECO result in Verilog
```

The content in file syn_macro.v is written into the ECO file eco_verilo.v as a whole. The corresponding instance is created as well with ports connected correctly according to Reference Netlist.

2.2.16 Note in RTL modification and re-synthesis

When modifying RTL and do re-synthesis, care should be taken to maintain the database as much alike Implementation Netlist as possible.

2.2.16.1 Keep sequential signal name

A common problem in modifying RTL is having sequential signal name changed, which appears in Reference Netlist as a different flop instance. For example

```
always @(posedge clk) abc <= abc_next;
```

It creates a flop instance 'abc_reg' in synthesis. If the ECO in RTL change this to

```
always @(posedge clk) abc_new <= abc_next;
```

After synthesis, a new flop instance 'abc_new_reg' is created. GOF may fail to find that 'abc_new_reg' being able to merge with 'abc_reg', due to other non-equivalent points present, which brings a redundant fix in the new register creation.

So it is highly recommended to keep the sequential signal names in re-synthesis.

2.2.16.2 Use the same synthesis constraints

When do re-synthesis, the same constraints should be used as what has been used in Implementation Netlist synthesis. If any hierarchy is not present in Implementation Netlist, it's better to flatten the module in synthesis to maintain the same hierarchies.

2.2.17 Debug non-equivalence in large ECO

It happens that an ECO doesn't pass logic equivalence checker, especially for a large ECO. GOF can run individual logic equivalence checking for flop pairs, output port pairs or any two nets. Check [annotating to schematic](#) for more detail.

2.2.18 Check design after ECO

It is highly recommended to run 'check_design' after ECO, to speed up, users can specify '-eco' option,

```
check_design('-eco')
```

It can detect if there is any floating or multiple drivers after ECO.

2.2.19 Formality help files generation

GOF LEC logic equivalence checking can be performed on any two netlists or on the results after GOF ECO run. Subsequently, Formality help files can be generated for use in Formality, significantly enhancing the success rate of the Formality tool.

Formality help files generation:

```
read_library("tsmc.lib");
read_design("-ref", "reference.v"); # Reference netlist
read_design("-imp", "eco_netlist.v"); # ECOed netlist
set_top("CHIP_TOP");
run_lec(); # Run GOF LEC
write_compare_points("compare_points.report");
write_formality_help_files("fm_dir/Formality_help"); # formality_help files are generated in fm_dir folder
```

In the above example, the assistance configuration file "fm_dir/formality_help.config.tcl" contains a compilation of set_user_match, rewire_connection, and set_constant commands designed to aid Formality in successfully achieving logic equivalence checking.

Integrate the file into Formality script:

```
# Formality netlist vs netlist script
read_db -tech tsmc.db
read_verilog -r reference.v
read_verilog -i eco_netlist.v
#Setup constraint
#Read in the help config file
source fm_dir/formality_help.config.tcl
match
verify
```

2.2.20 RTL Guided ECO Flow

RTL-guided ECO employs two approaches: utilizing the built-in RTL logic equivalence checking engine of GOF or incorporating results from third-party LEC tools to pinpoint areas needing ECO adjustments. The advantage of the internal RTL LEC is its speed and efficiency. However, a drawback arises when hierarchies mismatch with synthesized netlists, particularly in designs with extensive SystemVerilog statements. To address this, third-party RTL LEC tool results can be utilized to resolve hierarchy inconsistencies. For example, GOF ECO can process a list file of non-equivalent results from tools like Synopsys Formality, allowing it to concentrate ECO efforts solely on identified areas.

2.2.21 Internal RTL to RTL Guidance

The RTL Guided ECO Flow is an additional step in the netlist ECO process, which involves comparing RTL designs to identify any discrepancies. Unlike Gate to Gate comparison, this method is faster and more targeted. The ECO process can be slowed down by the insertion of DFT logic and boundary optimization, making gate-to-gate comparison more complicated. Additionally, the use of RTL comparison can prevent the generation of redundant ECO fixes during patch generation.

Figure 15 illustrates how RTL to RTL comparison runs parallel to the key-point mapping of two gate-level netlists. If the non-equivalent points identified by RTL comparison have been integrated into the ECO flow successfully, gate-to-gate comparison can be bypassed.

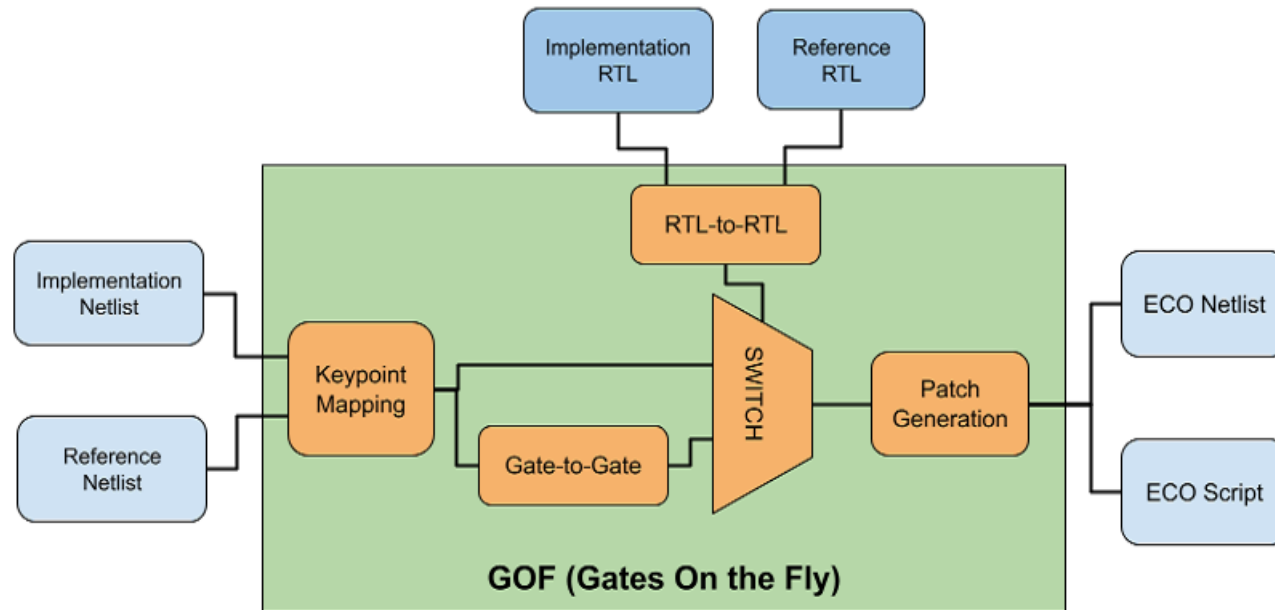


Figure 15: RTL Guided ECO Flow

2.2.21.1 Files and data requirements in RTL guided ECO

- Liberty files with extension '.lib'
- Other Verilog libraries files for modules not covered in '.lib' files
- Implementation SVF and Reference SVF file, required for designs with multibit flops
- Implementation Netlist on which ECO will be done
- Reference Netlist synthesized with the same constraints as the pre-layout netlist
- Implementation RTL which is logically equivalent to the Implementation Netlist
- Reference RTL which is logically equivalent to the Reference Netlist
- The top level module name under ECO

2.2.21.2 Steps to do RTL guided ECO

- Modify the original RTL
- Synthesize the new RTL to get Reference Netlist or synthesize sub-modules only and re-assemble the top level netlist
- Create GOF ECO script:
 - Specify ECO name in 'setup_eco'
 - Load Liberty files and Verilog libraries
 - Load Reference RTL (the modified RTL) and Implementation RTL (the original RTL)
 - Check non-equivalent points by 'rtl_compare'
 - Load the Reference Netlist and the Implementation Netlist
 - Fix the design by 'fix_design'
 - Report ECO status and write out ECO results
- Run the above ECO script by "gof -run eco_script.pl"

2.2.21.3 RTL guided ECO example script

GOF script has the exact same syntax as Perl script and runs the exported APIs that access the netlist database and modify the netlist.

The following is the example script for RTL guided ECO:

```
# GOF ECO script, rtl_guided.pl
use strict;
setup_eco("rtl_guided_eco_example"); # Setup ECO name
read_library("art.5nm.lib"); # Read in standard library
my $rtl2rtl = 1;
if($rtl2rtl){
    set_define("SYNTHESIS");
    set_define("NO_SIM");
    set_inc_dirs("/project/nd900/vlib/include", "/project/nd900/IPS/include");
    read_rtl('-ref', "ref0.sv", "ref1.sv", "ref2.sv");
    read_rtl('-imp', "imp0.sv", "imp1.sv", "imp2.sv");
    set_top("topmod");
    rtl_compare;
}
read_svf("-ref", "reference.svf.txt"); # Optional, must be loaded before read_design, must be in text format
read_svf("-imp", "implementation.svf.txt"); # Optional, must be loaded before read_design, must be in text format
read_design("-ref", "reference.gv"); # Read in Reference Netlist
read_design("-imp", "implementation.gv"); # Read in Implementation Netlist Which is under ECO
set_top("topmod"); # Set the top module
# Preserve DFT Test Logic
set_ignore_output("scan_out*");
set_pin_constant("scan_enable", 0);
set_pin_constant("scan_mode", 0);
fix_design;
save_session("current_eco_name"); # Save a session for future restoration
report_eco(); # ECO report
check_design("-eco"); # Check if the ECO causes any issue, like floating
write_verilog("eco_verilog.v"); # Write out ECO result in Verilog
exit; # Exit when the ECO is done, comment it out to go to interactive mode when 'GOF >' appears
```

2.2.21.4 Synthesize Reference RTL to Reference Netlist

If Reference Netlist is not provided, it can be synthesized from Reference RTL by 'synthesize' command.

As shown in Figure 16, Reference RTL is directly synthesized into Reference Netlist and used in the ECO.

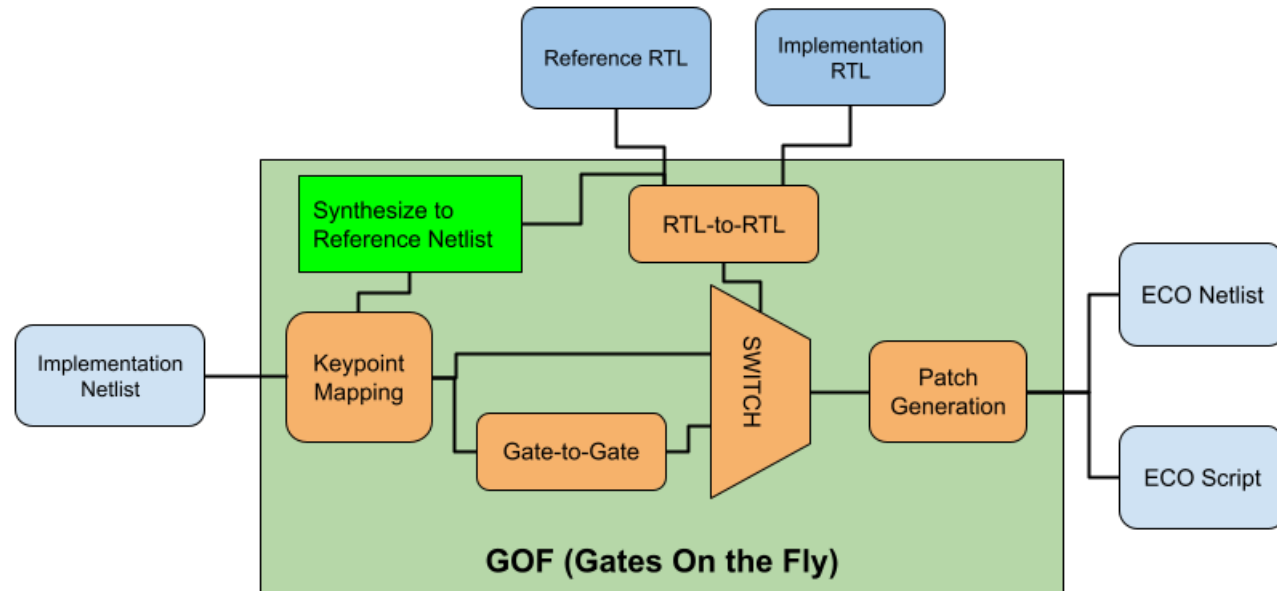


Figure 16: RTL Guided ECO Flow

The following is the example script for Reference RTL synthesis in RTL guided ECO:

```

# GOF ECO script, rtl_guided_synthesis.pl
use strict;
setup_eco("rtl_guided_eco_example");# Setup ECO name
read_library("art.5nm.lib");# Read in standard library
set_define("SYNTHESIS");
set_define("NO_SIM");
set_inc_dirs("/project/nd900/vlib/include", "/project/nd900/IPS/include");
read_rtl('-ref', "ref0.sv", "ref1.sv", "ref2.sv");
read_rtl('-imp', "imp0.sv", "imp1.sv", "imp2.sv");
set_top("topmod");
rtl_compare;

read_svf("-imp", "implementation.svf.txt"); # Optional, must be loaded before read_design, must be in text format
read_design("-imp", "implementation.gv");# Read in Implementation Netlist Which is under ECO
set_top("topmod");# Set the top module
elaborate; # The command synthesizes the Reference RTL to Reference Netlist
# Preserve DFT Test Logic
set_ignore_output("scan_out*");
set_pin_constant("scan_enable", 0);
set_pin_constant("scan_mode", 0);
fix_design;
save_session("current_eco_name"); # Save a session for future restoration
report_eco(); # ECO report
check_design("-eco");# Check if the ECO causes any issue, like floating
write_verilog("eco_verilog.v");# Write out ECO result in Verilog
exit; # Exit when the ECO is done, comment it out to go to interactive mode when 'GOF >' appears
  
```

2.2.22 Third Party RTL LEC Result Processing

GOF ECO has the capability to ingest a list of ECO points, enabling it to concentrate exclusively on the items specified in the list. The format of the list file comprises a type designation followed by one or multiple spaces and then the non-equivalence point.

```

inst yak_zcvg_inst/skip_pix_reg
port te_coord[5]
inst yak_hah_inst/x_start_pa_reg_31_
inst yak_hah_inst/x_end_pa_reg_30_
inst yak_hah_inst/x_end_pa_reg_29_
inst yak_hah_inst/x_end_pa_reg_28_
inst yak_hah_inst/x_end_pa_reg_27_
inst yak_hah_inst/x_end_pa_reg_26_
pin yak_hah_inst/u_sync_cell/D
  
```

The ECO list file is incorporated using the '-list_file' option within the 'read_design' command. It can be generated from a Third Party LEC non-equivalence result file. For instance, in Synopsys Formality, the command 'report_failing_points > formality_non_eq.report' generates such a file. In a GOF ECO script, this report file is then read in and converted into the list file.

Below is an example script demonstrating the conversion of Third Party LEC results and execution of GOF ECO with the 'list_file' option:

```

use strict;
my $list_cont = "";
open(FIN, "formality_non_eq.report");
while(<FIN>){
  if(m/Ref\s+(\w+)\s+r:\s+\w+\s+\w+(\w+)(.+)/){
    my $fm_type = $1;
    my $point = $2;
    my $gof_type = "inst";
    if($fm_type =~ m/Pin/){
      $gof_type = "pin";
    }elseif($fm_type =~ m/Port/){
      $gof_type = "port";
    }else{
      # For instance type
      $point =~ s/\[/_]/g; # Mostly abc_reg[0] has name changed to abc_reg_0_ in the netlist
      $point =~ s/\]/_]/g;
    }
    $list_cont .= "$gof_type $point\n";
  }
}
close(FIN);
open(FOUT, ">eco_list.txt");
print FOUT $list_cont;
setup_eco("eco_list_file"); # Setup ECO name
set_log_file("eco_list_file.log");
read_library("tsmc.5nm.lib");# Read in standard library
read_design("-ref", "reference.gv");# Read in Reference Netlist
read_design("-imp", "implementation.gv");# Read in Implementation Netlist Which is under ECO
set_top("SOC_TOP");
set_pin_constant("test_mode", 0);
set_pin_constant("scan_en", 0);
set_ignore_output("test_so*");
fix_design("-list_file", "eco_list.txt"); # -list_file option to read in the ECO list file with the ECO points
report_eco();
write_verilog("eco_verilog.v");
exit;
  
```

2.3 Standard Cells Automatic Metal Only ECO Flow

In Metal Only ECO, the design has completed place and route. Any new gates added should map to spare gates that located in the design. GOF supports Standard Spare Cells and Metal Configurable Gate Array Spare Cells post-mask metal only ECO.

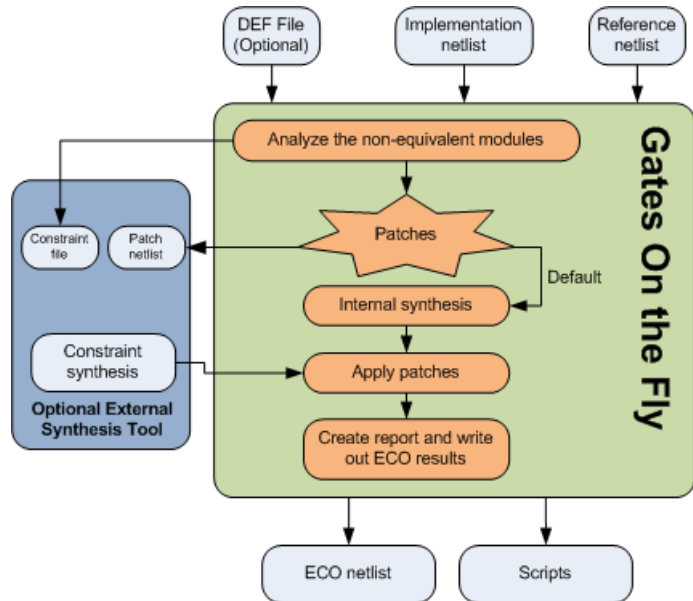


Figure 17: Metal Only ECO

2.3.1 Standard Cells Spare Gates Mapping

GOF employs an internal synthesis engine to map patch logic onto spare gates. These spare gates must consist of the following spare type combinations.

1. Two ports 'and/or' gates, 'inv' gates and flops, 'mux' is optional.
2. Two ports 'nand/nor' gates, 'inv' gates and flops, 'mux' is optional.
3. Two ports 'nand/nor/and/or' gates, 'inv' gates and flops, 'mux' is optional.

Out of the three combinations, the second combination has the least area and the third combination has the best performance in metal only EOC.

In Figure 18, the circuit produced by ECO on the left-hand side contains arbitrary standard cells. During the mapping process, gates of type MUX and flop are mapped directly onto the spare gates, as they have a one-to-one correspondence with the spare gate list. However, for more complex cell types such as AO32, they must be synthesized and mapped onto three AND gates and one NOR gate.

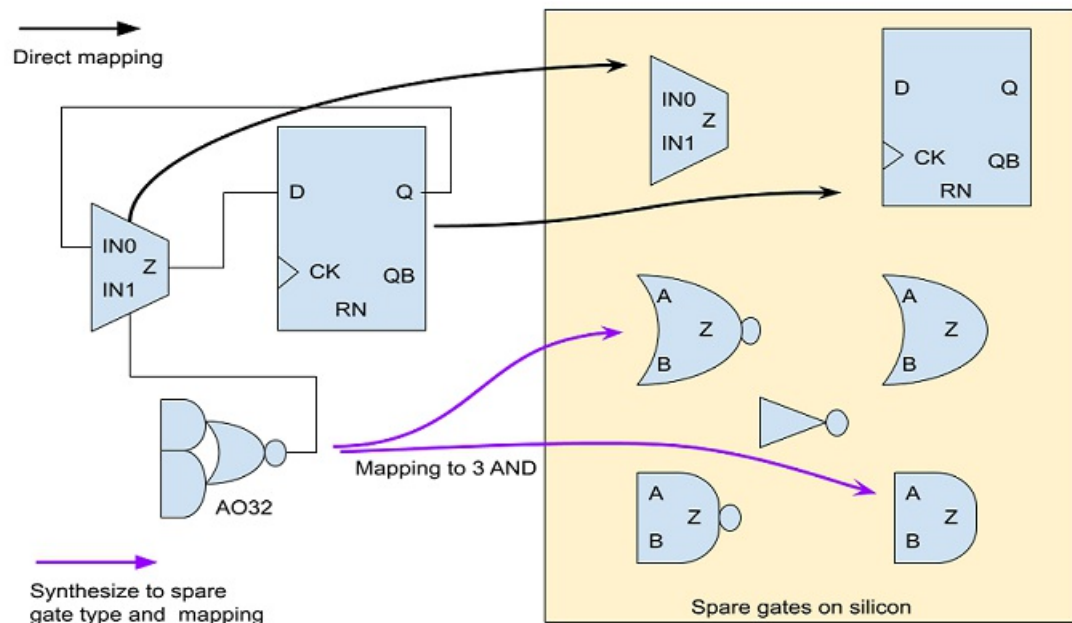


Figure 18: Standard Cells Spare Gates Mapping

2.3.2 Spare Gates Synthesis

GOF ECO utilizes a heuristic method that employs constraints to identify the optimal mapping of spare gates. The process involves setting constraints to restrict the types of NAND/NOR/AND/OR gates to be considered, and then conducting a mapping exercise to identify the nearest available spare gates. The cost of the mapping is determined by adding the distance between the measured location and the actual location of the spare gate. For example, if a NAND gate needs to be mapped in a metal-only ECO, and the measured location is (100, 100), while the closest spare gate (spare_0) is located at (120, 120), then the cost is calculated as $(120-100)+(120-100)=40$. The method involves multiple iterations, and the optimal solution is selected based on the lowest cost.

To ensure that new instances are accurately mapped to the nearest spare gate instances, it is necessary to have a Design Exchange Format (DEF) file. Without loading the DEF file, the GOF process will use spare gate types without precise mapping to exact spare instances. However, P&R tools like SOC Encounter will map new instances in the new netlist to the closest spare gates.

During the 'fix_design' command, GOF examines the top-level module and its sub-modules to identify any non-equivalent points and optimize the logic cone to create a patch circuit with the minimum number of gates.

2.3.3 Spare Gates Number and Distribution

Spare gates are incorporated into the design and their percentage relative to the entire digital area is usually dependent on the design maturity. For instance, the first version of a design typically requires a higher percentage of spare cells, usually around 8-10% of the entire digital area. As the design progresses to the second version, a lower percentage of spare cells, approximately 4-5% of the total digital area, is sufficient. By the third version, less than 3% additional spare cells may be necessary. Additionally, during the backend placement process, any remaining empty space can be filled with extra spare gates.

Besides the spare gate area percentage, the proportion of various spare gate types is also crucial. For example, a design with 126K instances may have spare gates in different categories, as depicted in the following figure:

- Red: 126 spare flip-flops
- Green: 252 spare NAND2 gates
- Yellow: 252 spare NOR2 gates
- Blue: 882 spare inverters (INV)
- Purple: 126 spare multiplexers (MUX)
- Black: 126 spare tie-lo (TIELO) gates

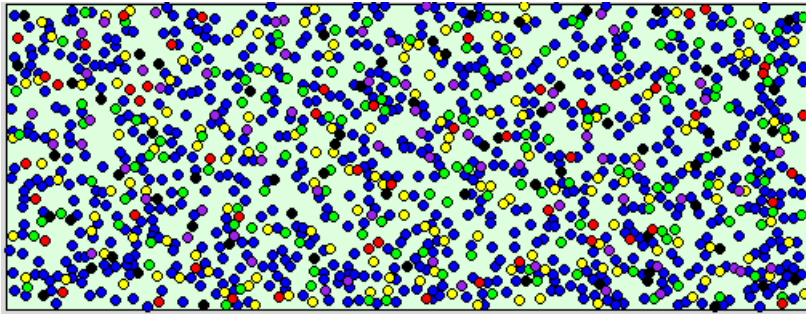


Figure 19: Spare Gates numbers and distribution

Usually, spare gates are uniformly distributed on the floor plan, as shown in figure 19. Nevertheless, if accessible, users can adjust the distribution based on historical metal-only ECO data. Blocks that are prone to design changes may require more spare gates, while mature logic may require fewer spare gates.

2.3.4 Files and data requirements in Metal Only ECO

- Liberty files with extension '.lib'
- Other Verilog libraries if '.lib' files can't cover
- Implementation Netlist
- Reference Netlist
- DEF (Design Exchange Format) file. It's optional. If it is not loaded, GOF won't map the spare gate type cells to the exact spare instances
- Spare gates pattern. It is in 'hierarchical_instance/leaf_instance' format. It has wild card '*' to match the spare gates in Implementation Netlist
- Spare gates list file. If several users work on the same Implementation Netlist, the initial spare gates list file should be generated only once. And new spare gates list file must be created every time an ECO is done

2.3.5 Steps to do automatic Metal Only ECO

A typical process for an automatic Metal Only ECO:

- Modify the original RTL
- Synthesize the new RTL to get Reference Netlist or synthesize sub-modules only and re-assemble the top level netlist
- Create GOF ECO script:
 - Specify ECO name in 'setup_eco'
 - Load Liberty files and Verilog libraries
 - Load the Reference Netlist and the Implementation Netlist
 - Fix the design by 'fix_design'
 - Load DEF file, optional
 - Load LEF file, optional. It's useful in LayoutViewer feature
 - Create Spare Gates List by Spare Gates pattern or by reading in spare list file
 - Run 'map_spare_cells' to remap the patch from 'fix_design' command to all spare -type gates patch netlist and select the closest spare instances for each gate in the patch netlist
 - Report ECO status and write out ECO results
- Run the above ECO script by "gof -run eco_script.pl"

2.3.6 Example GOF script for Metal Only ECO

GOF script has the exact same syntax of Perl script. It runs the exported commands that access the netlist database and modify the netlist.

The following shows an example of an automatic Metal Only ECO:

```
# GOF ECO script, run_metal_only_example.pl
use strict;
undo_eco;# Discard previous ECO operations
# Setup ECO name
setup_eco("eco_metalonly_example ");
read_library("tsmc.lib");# Read in standard library
read_svf("-ref", "reference.svf.txt"); # Optional, must be loaded before read_design, must be in text format
read_svf("-imp", "implementation.svf.txt"); # Optional, must be loaded before read_design, must be in text format
read_design("-ref", "reference.gv");# Read in Reference Netlist
read_design("-imp", "implementation.gv");# Read in Implementation Netlist Which is under ECO
set_top("topmod");# Set the top module that ECO is working on
set_ignore_output("scan_out*");
set_pin_constant("scan_enable", 0);
set_pin_constant("scan_mode", 0);
read_def("topmod.def");# Read Design Exchange Format file, optional. Loading DEF file before fix_design makes ECO
physical aware
fix_design;
save_session("current_eco_name"); # Save a session for future restoration
# The following is metal ECO related
# Specify spare cell pattern, when 'map_spare_cells' is done, a new spare list file is written out
# with updated spare list.
get_spare_cells("*/*_SPARE*");
# Comment the above line and use the following line to use spare list file
# if the spare list file has been generated already and gone through other ECOs
# get_spare_cells("-file", "spare_list_file.txt");
# set_constraints("-num", "and<20"); # set_constraints is optional to control AND cell usage under 20 counts
map_spare_cells();
# Use one of the following lines if external Synthesis Tool is used
#map_spare_cells ( "-syn", "rc" );
#map_spare_cells ( "-syn", "dc_shell" );
report_eco(); # ECO report
check_design("-eco");# Check if the ECO causes any issue, like floating
write_verilog("eco_verilog.v");# Write out ECO result in Verilog
exit;# Exit when the ECO is done, comment it out to go to interactive mode when 'GOF >' appears
```

2.3.7 Run and debug for Metal Only ECO

The script can be run by '-run' option.

gof -run run_metal_only_example.pl

User can insert 'die' command to let GOF stop in some point and do interactive debugs when 'GOF >' shell appears. GUI mode can be enabled by run 'start_gui' command.

Check [Run and debug GOF script section](#) for more detail

2.3.8 Gated clocks in Automatic Metal Only ECO

If the automatic metal only ECO has new gated clock cells added while the spare gates list doesn't have gated clock cell, "convert_gated_clocks" API should be run to convert gated clock cells to 'MUX' type logic. GOF maps the 'MUX' type logic to the spare type gates in 'map_spare_cells' API.

```
get_spare_cells("*/*_SPARE*");
convert_gated_clocks();
map_spare_cells();
```

2.4 Metal Configurable Gate Array Cells ECO Flow

Metal configurable gate array cells are specially developed for Metal Only ECO. These cells come in two types, which are used in different backend stages. The first type is gate array spare cells, which are typical filler or decap cells used in the original flow. During the backend P&R stage, gate array spare cells such as GFILL/GDCAP are incorporated and distributed throughout the design. The second type is gate array functional cells, which are used in post-mask ECO. Gate array spare cells are replaced with gate array functional cells such as GAN2, GND2, and GXOR2.

2.4.1 Gate Array Cell Base Tile

The base unit of gate array cell is a tile. Every gate array cell consists of one or more tiles. Use one 5nm standard library as example:

Tile Numbers	Spare Cells	Functional Cells
1	GFILL1	GTIE GINVD1 GND2D1 GNR2D1
2	GFILL2	GBUFD1 GAN2D1 GOR2D1 GAOI21D1 GDN3D1
3	GFILL3	GAO21D1 GAN4D1 GOR4D1
4	GFILL4	GINVD8 GAN2D4
5	GFILL5	GMUX2D1 GXOR2D1 GXNOR2D1
6	GFILL6	GBUFD8 GSDFFRQD1 GSDFFSQD1
8	GFILL8	GINVD16
12	GFILL12	GCKLNQD6

Table: Tile Numbers in Gate Array Spare Cells and Functional Cells

Gate array cells have a larger size than normal standard cells. For instance, GFILL1 is four times larger than FILL1, and GND2D1 is 25% larger than ND2D1. However, the power consumption and timing of these cells are similar.

Each gate array spare cell has a location defined by a DEF file. In Figure 20, the location of one GFILL8 spare cell is defined as (Xg, Yg), with a tile height equivalent to that of GFILL1 and a tile width eight times that of GFILL1.

GFILL8 tiles can be regrouped and rewired in metal layers to create different functional cells. For example, GBUFD1 requires two tiles and implements a buffer function, while GAN4D1 uses three tiles to create a 4-input AND function.

Gate Array Spare Cell GFILL8 and Functional Cells

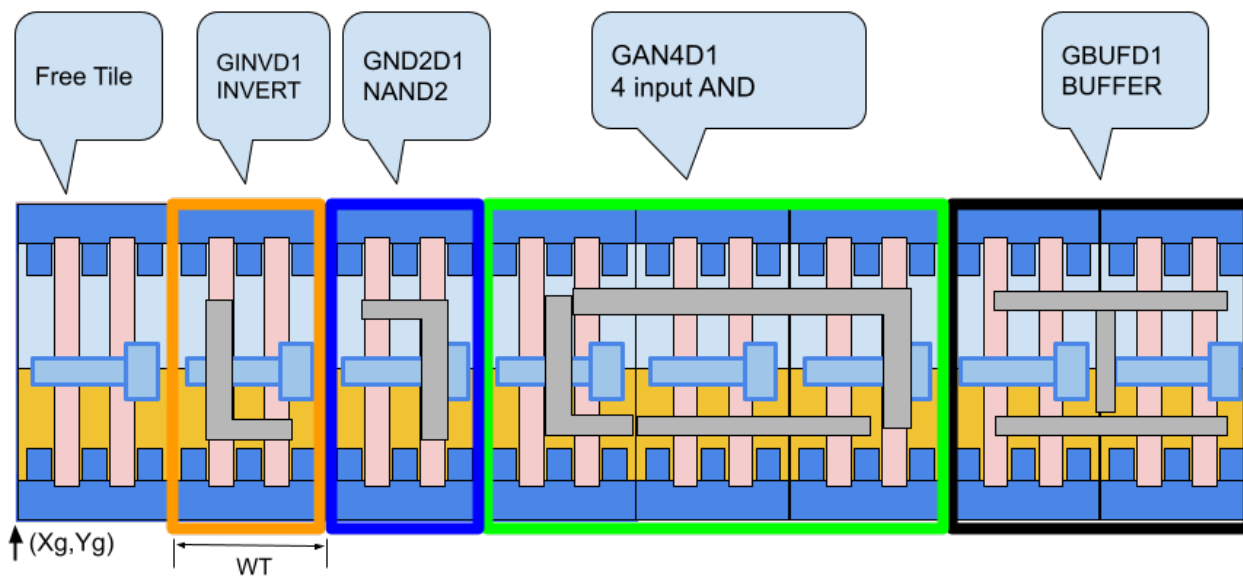


Figure 20: Gate Array Spare Cell GFILL8 Regrouped Tiles to Form Functional Cells

2.4.2 Gate Array Automatic Mapping

When generating a patch, GOF synthesizes it using only gate array functional cell types. These functional cells are then mapped to the most optimal nearby gate array spare cells with the minimum wire connection costs.

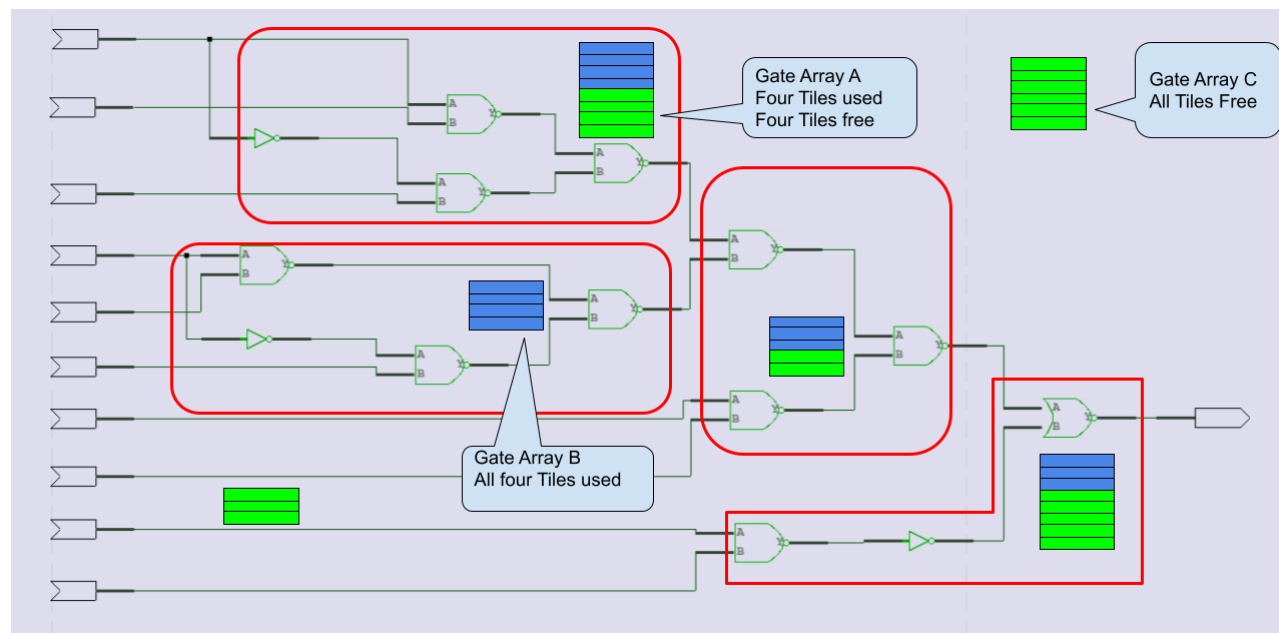


Figure 21: Gate Array Spare Cells Mapping to Functional Cells

Once the mapping and swapping process is complete, some gate array spare cells may have portions of their tiles being used by several functional cells, as shown in Figure 21. To properly save the ECO results, the type of these gate array spare cells should be changed. For instance, gate array A should have its type changed from GFILL8 to GFILL4. Any completely used up gate array spare cells, such as gate array B with type GFILL4 and all four tiles being used, should be deleted.

The mapped gate array functional cells need to be moved to the locations of their corresponding gate array spare cells, with the horizontal location X adjusted based on the starting tile location. For example, the GINVD1 instance should be moved to (Xg+TW, Yg), and the GBUFD1 instance should be moved to (Xg+TW*6, Yg), as shown in Figure 20.

GOF writes out an ECO verilog file and backend tools ECO scripts. In the verilog file, the location of the newly added gate array functional cells is written in comments. GOF supports both Synopsys ICC script and Cadence Encounter script, both of which have cell location placement support.

For example, when saving the result in an ICC TCL script, the cells in Figure 20 would have the following commands:

```
size_cell GFILLER 7256 GFILL1 # The original GFILL8 resized
create_cell eco_3821_ubuf GBUFD1
create_cell eco_3821_uan4 GAN4D1
create_cell eco_3821_und2 GND2D1
create_cell eco_3821_uinv GINVD1
set_cell_location -ignore_fixed -coordinates "255.02 413.28" eco_3821_ubuf # Xg+WT*6, Yg
set_cell_location -ignore_fixed -coordinates "254.42 413.28" eco_3821_uan4 # Xg+WT*3, Yg
set_cell_location -ignore_fixed -coordinates "254.22 413.28" eco_3821_und2 # Xg+WT*2, Yg
set_cell_location -ignore_fixed -coordinates "254.02 413.28" eco_3821_uinv # Xg+WT*1, Yg
```



Encounter script format:

```
ecoChangeCell -inst GFILLER_7256 -cell GFILL1 # The original GFILL8 resized
addInst -loc 255.02 413.28 -inst eco_3821_ubuf -cell GBUF1 # Xg+WT*6, Yg
addInst -loc 254.42 413.28 -inst eco_3821_uan4 -cell GAN4D1 # Xg+WT*3, Yg
addInst -loc 254.22 413.28 -inst eco_3821_und2 -cell GND2D1 # Xg+WT*2, Yg
addInst -loc 254.02 413.28 -inst eco_3821_uinv -cell GINVD1 # Xg+WT*1, Yg
```

Note: Tile size assumed to be 0.20 X 0.22; GFILL8 location (Xg, Yg)=(253.82, 413.28)

2.4.3 Files and data requirements in Gate Array ECO

- Standard library (Synopsys Liberty) files with extension '.lib'
- Other Verilog libraries if '.lib' files can't cover
- Implementation Netlist
- Reference Netlist
- LEF files
- DEF (Design Exchange Format) files

2.4.4 Steps to do gate array spare cells ECO

A typical process for gate array spare cells ECO:

- Modify the original RTL
- Synthesize the new RTL to get Reference Netlist or synthesize sub-modules only and re-assemble the top level netlist
- Create GOF ECO script:
 - Specify ECO name in 'setup_eco'
 - Load Liberty files and Verilog libraries
 - Load the Reference Netlist and the Implementation Netlist
 - Fix the design by 'fix_design'
 - Load LEF files
 - Load DEF files
 - Extract gate array spare cells and functional cells by 'get_spare_cells'
 - Run 'map_spare_cells' to convert the patch all gate array functional cells type and map to optimal gate array spare cells
 - Report ECO status and write out ECO results
- Run the above ECO script by "gof -run eco_script.pl"

2.4.5 Example GOF script for gate array cells ECO flow

GOF script has the exact same syntax of Perl script. It runs the exported commands that access the netlist database and modify the netlist.

```
# GOF ECO script, run_gate_array_cells_eco_example.pl
use strict;
undo_eco; # Discard previous ECO operations
# Setup ECO name
setup_eco("eco_gate_array_example");
read_library("tsmc.lib"); # Read in standard library
read_svf("-ref", "reference.svf.txt"); # Optional, must be loaded before read_design, must be in text format
read_svf("-imp", "implementation.svf.txt"); # Optional, must be loaded before read_design, must be in text format
read_design("-ref", "reference.gv"); # Read in Reference Netlist
read_design("-imp", "implementation.gv"); # Read in Implementation Netlist Which is under ECO
set_top("topmod"); # Set the top module that ECO is working on
set_ignore_output("scan_out*");
set_pin_constant("scan_enable", 0);
set_pin_constant("scan_mode", 0);
read_lef("tsmc.lef"); # Read LEF
read_def("topmod.def"); # Read Design Exchange Format file
fix_design;
save_session("current_eco_name"); # Save a session for future restoration
# Specify gate array cells, spare and functional
# set_dont use command can be used to exclude some gate array cells
get_spare_cells("-gate_array", "G*", "-gate_array_filler", "GFILL*"); # Gate array cells extraction
map_spare_cells();
report_eco(); # ECO report
check_design(); # Check design
write_verilog("eco_verilog.v"); # Write out ECO result in Verilog
write_tcl("eco_ico.tcl"); # Write out TCL script for ICC
exit; # Exit when the ECO is done, comment it out to go to interactive mode when 'GOF >' appears
```

2.4.6 TCL output file format after Gate Array ECO

```
current_instance
current_instance up_ma/utx_afe_if
create_net eco_ganet_wire270244
create_net eco_ganet_gofrev_net_on19915
create_net eco_ganet_wire270246
create_net eco_ganet_gofrev_net_on19913
disconnect_net [get_nets n_223] [get_pins slow_cnt_reg_1/D]
connect_net [get_nets eco_ganet_wire270244] [get_pins slow_cnt_reg_1/D]
create_cell eco_gacell_gofrev_inst_19916 GND2D1
create_cell eco_gacell_gofrev_inst_19914 GOR2D1
create_cell eco_gacell_inst270245 GMX2D1
create_cell eco_gacell_gofrev_inst_19912 GAN2D1
connect_net [get_nets eco_ganet_gofrev_net_on19915] [get_pins eco_gacell_gofrev_inst_19916/A]
connect_net [get_nets slow_cnt_2] [get_pins eco_gacell_gofrev_inst_19916/B]
connect_net [get_nets eco_ganet_wire270244] [get_pins eco_gacell_gofrev_inst_19916/Y]
connect_net [get_nets eco_ganet_gofrev_net_on19913] [get_pins eco_gacell_gofrev_inst_19914/A]
connect_net [get_nets xg_prbs_0] [get_pins eco_gacell_gofrev_inst_19914/B]
connect_net [get_nets eco_ganet_gofrev_net_on19915] [get_pins eco_gacell_gofrev_inst_19914/Y]
connect_net [get_nets n_221] [get_pins eco_gacell_inst270245/A]
connect_net [get_nets slow_cnt_0] [get_pins eco_gacell_inst270245/B]
connect_net [get_nets fast_data_9] [get_pins eco_gacell_inst270245/S0]
connect_net [get_nets eco_ganet_wire270246] [get_pins eco_gacell_inst270245/Y]
connect_net [get_nets n_223] [get_pins eco_gacell_gofrev_inst_19912/A]
connect_net [get_nets eco_ganet_wire270246] [get_pins eco_gacell_gofrev_inst_19912/B]
connect_net [get_nets eco_ganet_gofrev_net_on19913] [get_pins eco_gacell_gofrev_inst_19912/Y]
set_cell_location -ignore_fixed -coordinates "253.84 413.28" eco_gacell_inst270245
set_cell_location -ignore_fixed -coordinates "250.42 390.60" eco_gacell_gofrev_inst_19912
set_cell_location -ignore_fixed -coordinates "288.04 497.70" eco_gacell_gofrev_inst_19914
set_cell_location -ignore_fixed -coordinates "204.25 267.12" eco_gacell_gofrev_inst_19916
current_instance
size_cell FILLER_imp10_7256 GFILL3
size_cell FILLER_imp11_30700 GFILL2
current_instance
remove_cell FILLER_imp11_20939
remove_cell FILLER_imp11_40219
```

2.4.7 Run and Debug in Gate Array ECO

The script can be run by '-run' option.

```
gof -run run_gate_array_cells_eco_example.pl
```

User can insert 'die' command to let GOF stop in some point and do interactive debugs when "GOF >" shell appears. GUI mode can be enabled by run 'start_gui' command.

Check [Run and debug GOF script section](#) for more detail

2.5 Find Equal Nets between RTL and Netlist

For certain ECO cases, specifically those involving changes to combinational signals, manual ECOs may prove to be quicker and more effective. However, identifying equivalent wires in the netlist for RTL signals can be a challenging aspect of such manual



ECOs. This is primarily due to the fact that combinational signals are often optimized during synthesis. To help alleviate this issue, GOF offers an API called 'find_equal_nets' as well as GUI operations to assist in the search for equivalent nets in the netlist for RTL signals.

2.5.1 Example script to find equal nets

The following is the example script for finding equal nets in netlist for RTL:

```
# GOF script, find_equal_nets.pl
use strict;
read_library("art.5nm.lib");# Read in standard library
set_define("SYNTHESIS");
set_define("NO_SIM");
set_inc_dirs("/project/nd900/vlib/include", "/project/nd900/IPS/include");
read_rtl("-ref", "ref0.sv", "ref1.sv", "ref2.sv");
read_svf("-imp", "implementation.svf.txt"); # Optional, must be loaded before read_design, must be in text format
read_design("-imp", "implementation.gv");# Read in Implementation Netlist
set_top("topmod");# Set the top module
elab_rtl;
find_equal_nets("row_full", "sync_start"); # Find row_full and sync_start in the netlist
```

2.5.2 GUI Mode to find equal nets

Please refer to '[Find Equal Nets in Netlist Window](#)' for the detail

2.6 Script Mode Full Layers Manual ECO Flow

In many cases, the ECO operations are well known by users. They can be inserting buffers to a 128bits bus, or adding isolation AND gates to all outputs of a module. In these cases, manual ECO by scripts is more efficient and resource saving.

GOF exports many APIs for ECO operations in GOF script.

2.6.1 Files and data requirements in Manual ECO

- Standard library (Synopsys Liberty) files with extension '.lib'
- Other Verilog libraries
- Implementation Netlist
- ECO locations

2.6.2 Steps to do Manual ECO In Scripts

A typical situation for a Manual ECO:

- Run LEC on modified RTL to Implementation Netlist
- Extract the failing points from the log file in the above LEC run
- Create a GOF ECO script:
 - Define ECO name in 'setup_eco'
 - Load Standard Cell libraries and Verilog libraries
 - Load Implementation Netlist
 - Locate ECO point
 - Use ECO APIs to fix the logic
 - Report ECO status and write out ECO results
- Run the script

2.6.3 Manual ECO APIs list

These APIs change Implementation Netlist

```
buffer: ECO command. Buffer high fanout ECO nets
change_gate: ECO command. Modify an instance in ECO
change_net: ECO command. Change a existing net's driver
change_pin: ECO command. Modify pin connection of instances by inserting gates, changing connection to other signal
change_port: ECO command. Change an output port's driver, or add gate after input port
del_gate: ECO command. Delete gate
del_net: ECO command. Delete net
del_port: ECO command. Delete port
new_gate: ECO command. Create new gate
new_net: ECO command. Create a new net
new_port: ECO command. Create a new port for the current top level module
```

For the full list of the APIs, user can type 'help' in 'GOF >' shell.

For the individual API, type 'help api_name'. For example:

```
GOF > help new_port
Help for new_port
new_port: ECO command. Create a new port for the current top level module
ECO command. Create a new port for the current top level module
Usage: new_port($name, @options);
$name: Port name
@options:
-input: New an input port
-output: New an output port
-inout: New an inout port
Note: The port name has to be pure words or with bus bit, like, abc[0], abc[1]
Examples:
new_port('prop_control_en', '-input'); # create an input port naming prop_control_en
new_port('prop_state[2]', '-output'); # create an output port with bus bit prop_state[2]
new_port('prop_state[3]', '-output'); # create an output port with bus bit prop_state[3]
```

2.6.4 Example GOF script for Manual ECO

```
# GOF ECO script, run_example.pl use strict;
undo_eco;# Discard previous ECO operations
setup_eco("eco_example");# Setup ECO name
read_library("tsmc.lib");# Read in standard library
read_design("-ref", "reference.gv");# Read in Reference Netlist
read_design("-imp", "implementation.gv");# Read in implementation Netlist Which is under ECO
set_top("topmod");# Set the scope to the module that ECO is working on
# The following API adds a mux in flop 'state_reg_0_' D input pin,
# and connect up the original connection to pin 'A',
# pin 'B' connect to net 'next_state[7]', and pin 'S' to net 'sel_mode'
# the net can be replaced by format of 'instance/pin', E.G. '.S(state_reg_2/Q)'
change_pin("state_reg_0_/D", "MX2X4", "", ".A(-),.B(next_state[7]),.S0(sel_mode)");
report_eco();
write_verilog("eco_verilog.v");# Write out ECO result in Verilog
exit;# Exit when the ECO is done, comment it out to go to interactive mode when 'GOF >' appears
```

2.6.5 Run and debug in Manual ECO

Check [Run and debug GOF script section](#) for more detail

2.6.6 Handle repetitive work

A Perl 'for' or 'foreach' loop can handle repetitive work efficiently. For example, to add a 'AND' isolation gate for every output port of a module.

```
# GOF ECO script, add_and.pl
use strict;
undo_eco; # Discard previous ECO operations
setup_eco("eco_example"); # Setup ECO name
```



```
read_library("tsmc.lib"); # Read in standard library
read_design("-ref", "reference.gv"); # Read in Reference Netlist
read_design("-imp", "implementation.gv"); # Read in implementation Netlist which is under ECO
set_top("topmod"); # Set the top module that ECO is working on
my @ports = get_ports("-output"); # Get all output ports of module 'topmod'
# For each output port of 'topmod', insert an 'AND' gate to enable it only when 'enable_out' is high
my $cnt = 0;
foreach my $port (@ports){
    change_port($port, "AND2X2", "eco_add_and_$cnt", "-enable_out");
    $cnt++;
}
report_eco();
write_verilog("eco_verilog.v"); # Write out ECO result in Verilog
exit; # Exit when the ECO is done, comment it out to go to interactive mode when 'GOF >' appears
```

2.6.7 Special characters

The special character '-' is used to represent existing connection. For example

```
change_pin("U0/A", "BUFFX1", "eco_buf", "-");
```

A buffer is inserted into A pin of instance U0. The old existing net drives the new buffer now.

The special character '.' is used in ECO new instance name if the new instance needs to be in the same hierarchy as the ECO spot.

```
change_pin("u_qcif/u_num2/u_spare1/B", "AOI21X2", ".", "net1,net2,net3");
```

If the instance is empty, GOF creates 'AOI21X2' in the current top level. With '.', GOF creates 'AOI21X2' new instance in hierarchy "u_qcif/u_num2/u_spare1".

2.7 Script Mode Metal Only Manual ECO Flow

In Manual Metal Only ECO, any new added gates are automatically mapped to spare gate instances by 'map_spare_cells' command. A Design Exchange Format file has to be loaded for the tool to find optimal spare instances. If the file is not present, the mapping is skipped.

2.7.1 Files and data requirements in Metal Only Manual ECO

- Standard library (Synopsys Liberty) files with extension '.lib'
- Other Verilog libraries
- Implementation Netlist
- DEF (Design Exchange Format) file. If it is not loaded, GOF won't map the spare gate type cells to the exact spare instances
- Spare gates pattern. It is in 'hierarchical_instance/leaf_instance' format. It has wild card '*' to match the spare gates in Implementation Netlist
- Spare gates list file. If several users work on the same Implementation Netlist, the initial spare gates list file should be generated only once. And a new spare gates list file should be created every time ECO is done
- ECO locations

2.7.2 Example GOF script for Manual Metal Only ECO

```
# Manual Metal Only ECO, manual_metal_eco.pl
use strict;
undo_eco;
setup_eco("metal_eco0123");
set_log_file("metal_eco0123.log");
read_library("/prj/lib/tsmc40.lib");
read_design("-imp", "/prj/netlist/imp_net.v");
set_top("mtop");

new_port("nout7", "-output"); # Create a new port 'nout7'
# Place the port to 60000, 1000000. It's approximate position, the main purpose is for
# spare instances selection
place_port("nout7", 60000, 100000);
new_port("nout8", "-output"); # Create another port
place_port("nout8", 120000, 81000);
# 'nout8' is driven by an invert first, and the invert's input is driven by pin 'cmpmod/rego/QN'
change_port("nout8", "INV_X1M", "", "cmpmod/rego/QN");
# Drive the 'nout7' by 'INV_X1M' and leave the input unconnected, but the mapped
# spare instance name is returned.
my $inst = change_port("nout7", "INV_X1M", "", "");
# Drive the new instance's input by a flop, and specify the flop's connection in the 4th argument
change_pin("$inst/A", "SDFFRPO_X4M", "", "\n.CK(cmpmod/rego/CK),.D(cmpmod/rego/QN),.R(1'b0),.SE(1'b0),.SI(1'b0)");

read_def("/prj/def/imp_net.def");
get_spare_cells("Spare */* SPARE_GATE*");
# Before mapping to spare gates, set a large number in buffer distance, so that GOF does not
# add buffers for long connections.
set_buffer_distance(9999999);
# The following 'map_spare_cells' command maps the three new ECO instances to the optimal
# spare instances.
map_spare_cells;

report_eco;
write_verilog("imp_eco0123.v");
```

2.7.3 Run and debug in Metal Only Manual ECO

The script can be run by '-run' option.

```
gof -run manual_metal_eco.pl
```

Check [Run and debug GOF script section](#) for more detail

2.8 GUI Mode Full Layers ECO Flow

The following paragraph demonstrates how to insert buffers and inverters into a circuit in GUI mode.

2.8.1 Start up GOF in GUI Mode

Start up GOF by the command line

```
gof -lib t65nm.lib -lib io.lib netlist_port.v
```

For detail usage, visit this link

<https://nandigits.com/usage.htm>

In GoViewer netlist window, press ctrl-g or menu commands->'Launch GoTrace with gate'. Fill in the instance name that needs ECO.

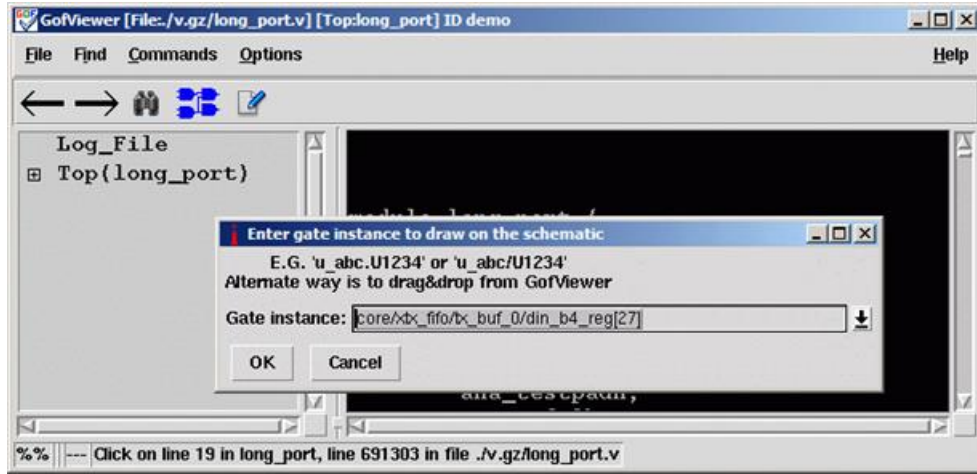


Figure 22: Load gate to schematic

2.8.2 Create Partial Schematic

In GofTrace schematic window, use mouse middle button to expand the schematic. In this case, pin D of the flop should be inserted an invert.

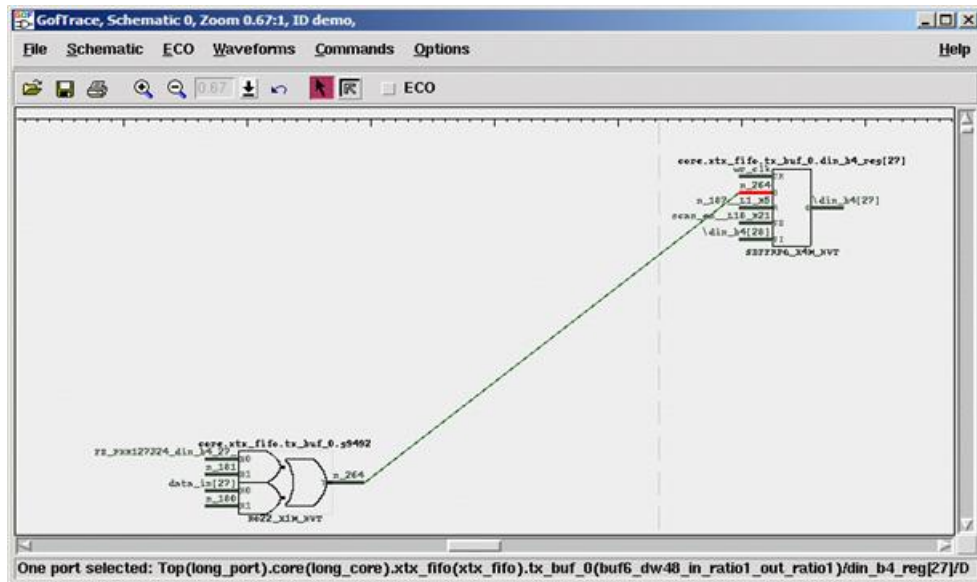


Figure 23: Partial Schematic for GUI ECO

2.8.3 Do ECO on schematic

Check ECO button to enable ECO mode

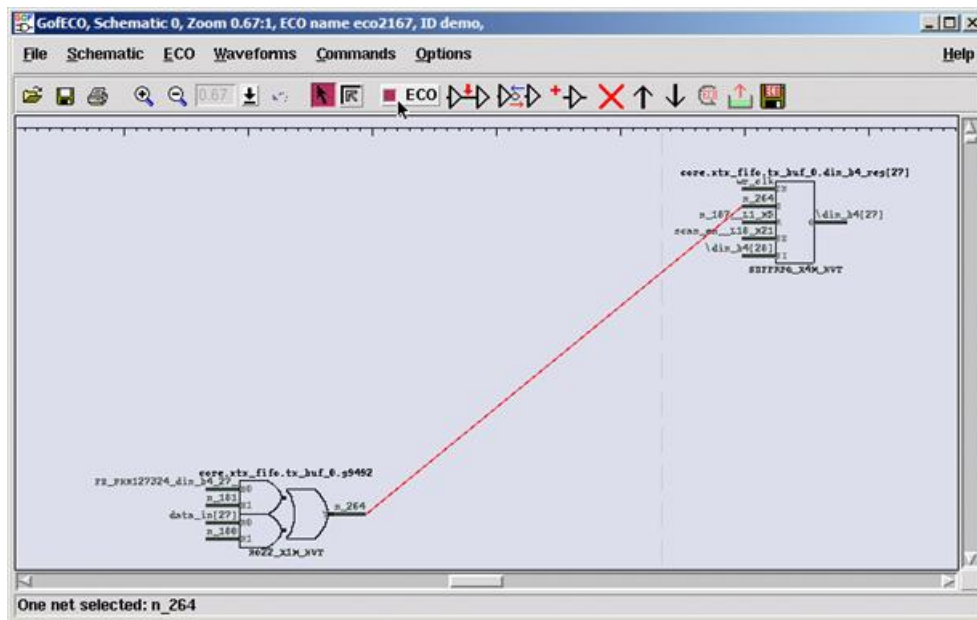


Figure 24: Schematic in ECO Mode

Press mouse-left-button on the wire to select it. Click ECO button 'Insert gates into connections', select the right invert in the gate type selection window.

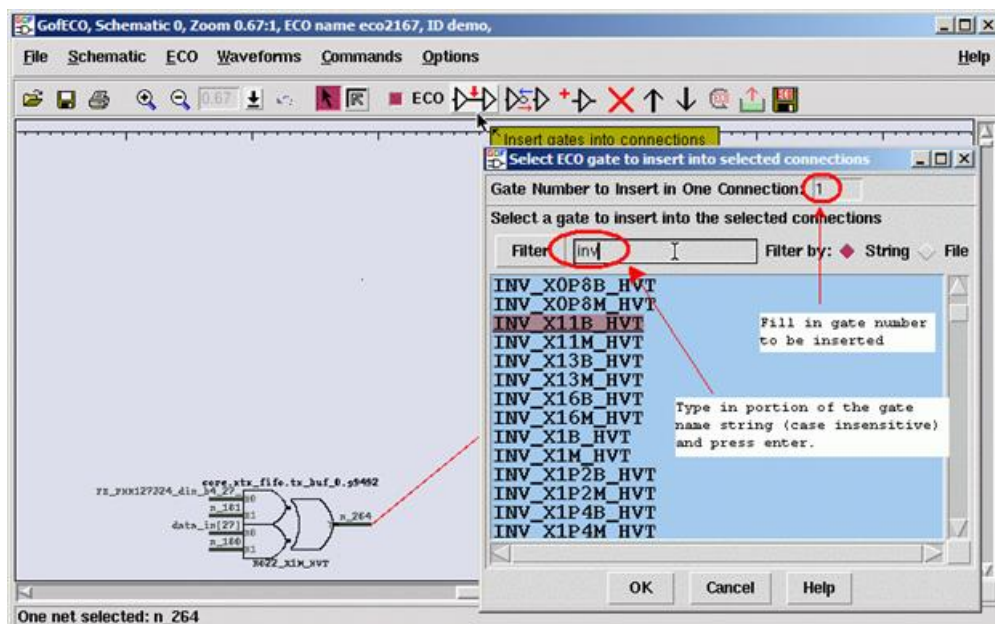




Figure 25: Select Gate in GUI ECO

In 'Pin Connections' setup window, use default 'Complete Loop' option, so that the gate can be inserted in the net.



Figure 26: New Cell Pin Connection Selections

Click OK and the invert is inserted.

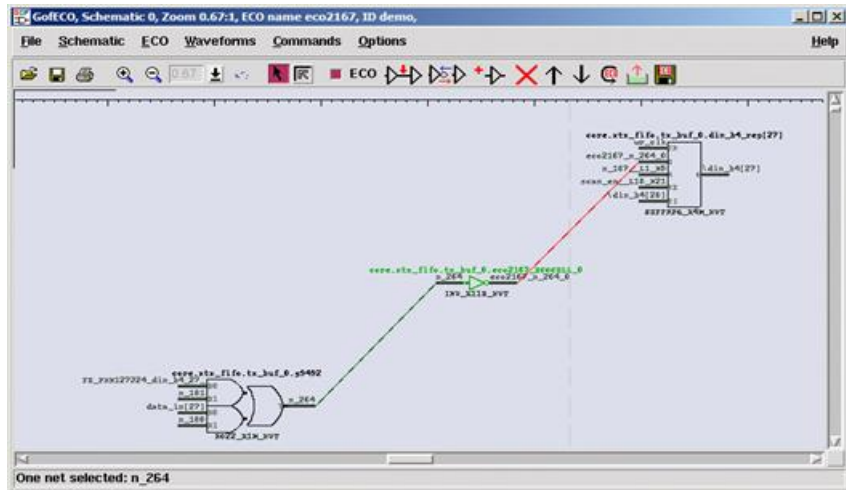


Figure 27: Manual ECO with New Gate Inserted

2.8.4 Save ECO in GUI Mode

Press ECO button 'Save ECO result to file'. And select the format to be saved. The supported formats include verilog netlist, SOC Encounter ECO script, GOF script, TCL script and DCShell script.

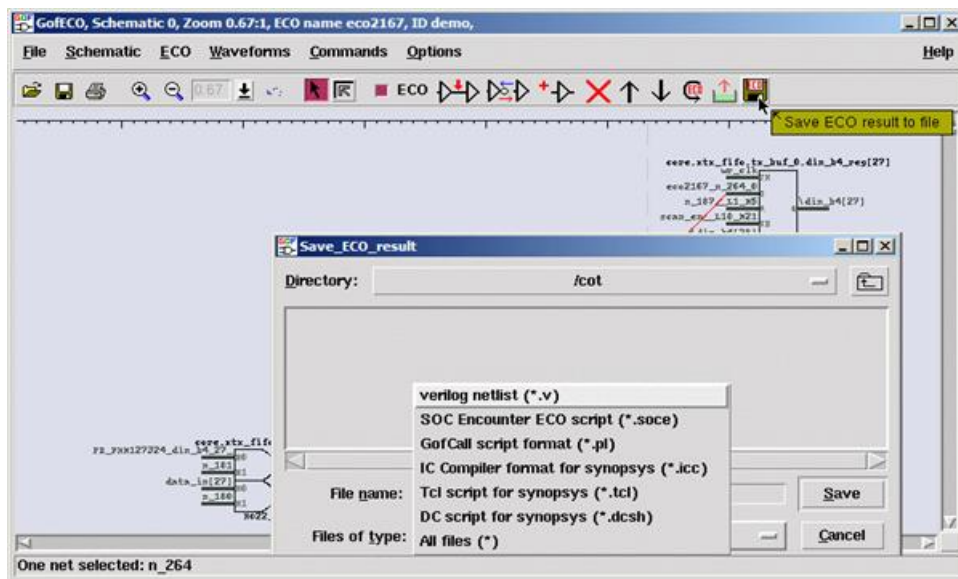


Figure 28: Save ECO in GUI Mode

2.9 GUI Mode Metal Only ECO Flow

Metal ECO can only use existing spare gates on the silicon. GOF controls how to use these spare gates.

2.9.1 Methods for Metal Only ECO

Four methods are supported in Metal Only ECO:

1. User can add any type of gates and let the tool map to the spare type gates, Place and Route tool should map the spare type gates to the exact spare gate instances
2. User can add any type of gates and let the tool map to the exact spare gate instances
3. User can add only spare type gates and let the tool map to the exact spare gate instances
4. User can pick the exact spare gate instances, and connect and disconnect up the instances in ECO

Note: 'Spare type gate' refers to the gate type, 'INVX2', 'NAND2X2'. 'Exact spare gate instance' refers to the spare instances in the design, E.G. 'spare1/spare_invx2'

2.9.2 Setup and use cases

The detail setup for four method can be found in [GOF ECO Metal Only ECO](#). Use cases can be found in [online document](#).

2.10 Report Timing

Timing can be reported before or after ECO by report_timing API.

2.10.1 Report Timing APIs

Timing report related APIs are these:

```

create_clock: Timing command and GOF Formal command. Create clock for fault verification
set_initial_trans: Timing command. Set initial transition for clock
set_input_delay: Timing command. Set input delay
set_output_delay: Timing command. Set output delay
set_output_load: Timing command. Set output load to all output ports
set_input_transition: Timing command. Set input transition to all input ports
set_false_path: Timing command. Set false path
set_clock_uncertainty: Timing command. Set clock uncertainty
report_timing: Timing command. Report timing
list_wireload: Timing command. List all wireload defined in the liberty files
set_wireload: Command for Timing Report. Set wireload for one liberty library

```

2.10.2 Timing before ECO

In order to report the timing in paths of interest before a functional ECO, it is necessary to specify the option of 'from,' 'to,' or 'through' in the report_timing function. By comparing the numbers obtained before and after a functional ECO, an appropriate timing ECO method can be selected.

2.10.3 Timing after ECO

After performing a functional ECO, report_timing can utilize the 'from,' 'to,' or 'through' options. If the function is executed without specifying any of these options, it will report the timing of paths that traverse the ECO instances.

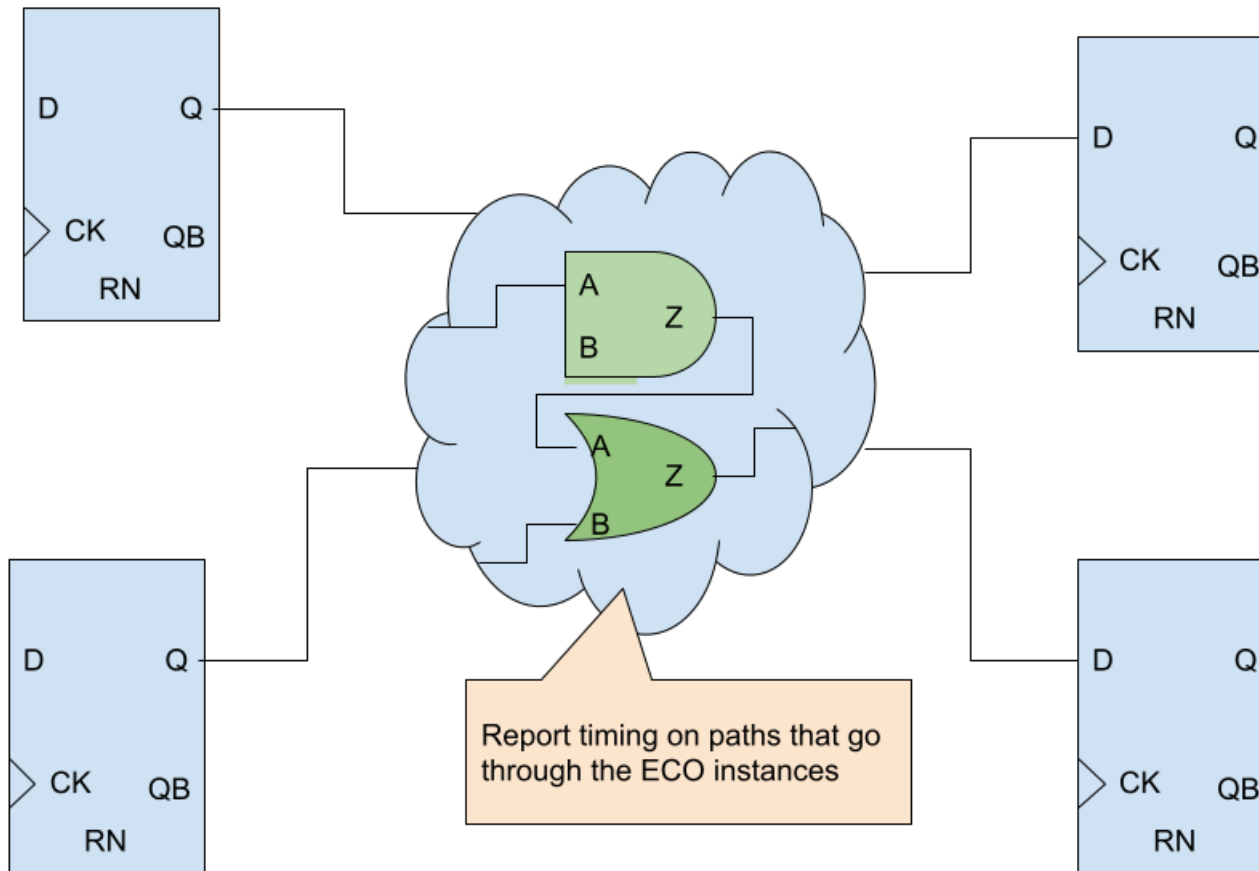


Figure 29: Report timing on paths through ECO instances

3 GOF Formal: Fault Verification Tool

3.1 GOF Formal

GOF Formal is one of the function components integrated in GOF platform. It provides a formal method to calculate fault coverage in an IC design in functional safety.

ISO26262 defines functional safety as "the absence of unreasonable risk due to hazards caused by malfunctioning behavior of electrical and electronic systems". Four ASILs are proposed to represent four degrees of automotive hazards. In IC component, the coverage in the ASIL requirement is the fault coverage in the logic circuit. Specifically, single point fault metric (SPFM) and latent fault metric (LFM) should meet minimum numbers for the corresponding ASIL levels. The following table lists the three ASIL levels with specific coverage numbers defined in the standard.

ASIL	SPFM	LFM
B	≥90%	≥60%
C	≥97%	≥80%
D	≥99%	≥90%

The traditional method to calculate the fault coverage is pure simulation based. It's inefficient and time consuming. GOF Formal provides a formal and efficient way to calculate the SPFM and LFM numbers of a logic design. It can work in a standalone mode to calculate the coverage metric. And it can also work as a supplemental method to cover the faults left over from simulation based process.

3.1.1 Single Point Fault and Latent Fault

Single point fault (SPF) is the fault in the IC design that leads directly to the violation of a safety goal which is defined as observation point in the "Cone of Influence" section below and no fault in the IC circuit is covered by any safety mechanism. However, if there is safety mechanism, but the fault can't be covered by the safety mechanism, the fault is called residual fault according to the standard. In calculating SPFM, residual fault is treated as single point fault. Latent faults are multiple-point faults not detected by a safety mechanism or perceived by the driver. The latent fault metric is to determine whether coverage by safety mechanisms is sufficient to protect against risk from latent faults in the IC design.

3.1.2 Fault Model

GOF Formal injects faults to each input port and each pin of logic gates. Each input port has stuck-at 0 and stuck-at 1 faults injected. Every combinational gate has stuck-at 0 and stuck-at 1 faults injected into each pin. For flip-flop, stuck-at 0 and stuck-at 1 faults are injected into each data and clock pin. And flip-flop has Single Event Upset (SEU) fault injected to the state in random time.

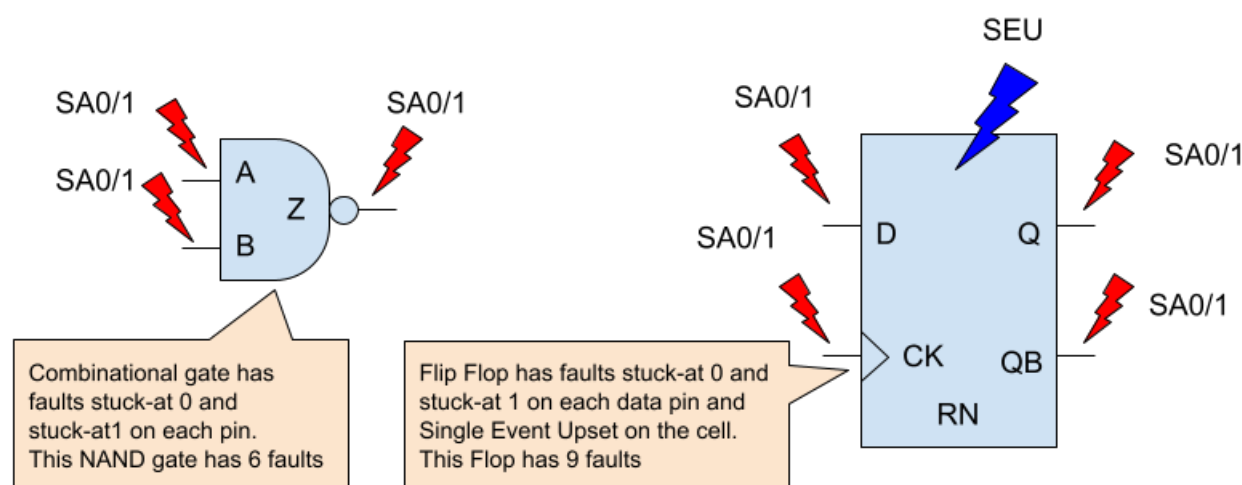


Figure 30: Fault model for logic gates

3.1.3 Cone of Influence

SPFM and LFM metrics can be calculated in two methods, rough mode and detail mode. The rough mode is done by structural analysis of the Cone of Influence. The detail mode is calculated by formal analysis of the Cone of Influence.

Two types of strobing points shall be defined for the Cone of Influence extraction.

- Observation Points
- Diagnostic Points

The observation points are the outputs or registers that are impacted by the injected faults which affect functional safety and violate safety goal. The diagnostic points are the outputs or registers to check if injected faults can be detected at these strobing points or perceived by the up level driver.

The logic back traced starting from the observation points and the diagnostic points all the way to the inputs or black boxes. The Cone of Influence (COI) is created for the observation points and the diagnostic points respectively. Each cell and each input port in the cones will be injected faults according to the Fault Model section.

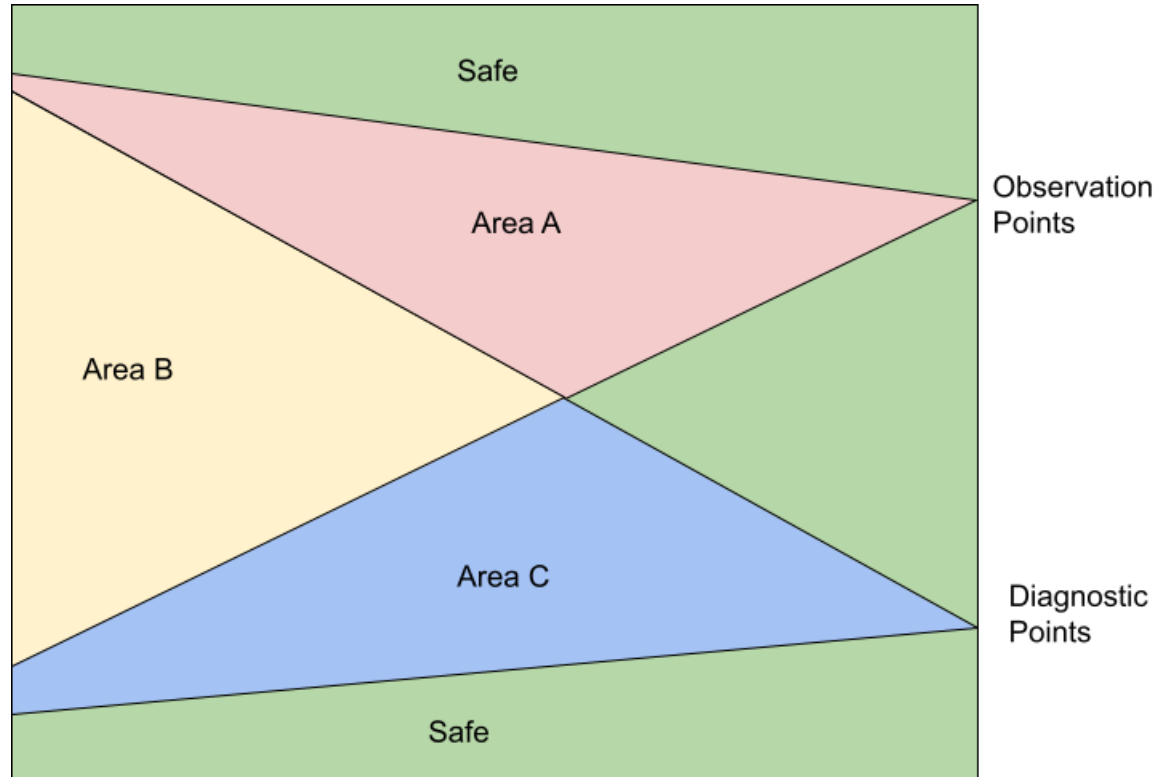


Figure 31: Cone of Influence

3.1.4 SPFM and LFM Calculation

In Figure 31, all faults that are outside of the two COIs are safe faults.

Area A has faults that are observable but not detectable, so they can be classified as residual faults. And they are called single point faults if safety mechanism is not implemented for the design, in which case the diagnostic points are not present and Area B and Area C are zero size. However, if they don't propagate to the observation points in the detail formal COI analysis, they can be classified as multiple point faults. For example, TMR is implemented on Area A. The majority faults in this area will become multiple point faults.

Area B has faults that are classified as multiple point faults, since they are observable and detectable. In the rough structural COI analysis, the worst SPFM metric can be calculated by assuming them as all residual faults and the best SPFM metric by assuming them as propagatable to the diagnostic points. So the detail formal COI analysis will determine the fault classification.

Area C has faults that are classified as detectable multiple point faults, but they are not observable. The detail formal COI analysis will be run on Area C to check if the faults in this area can not propagate to the diagnostic points, then they can be classified officially as latent faults. The best and worst LFM metrics can be gained by the rough structural COI analysis method.

The Single Point Fault Metric (SPFM) can be calculated according to the following equation.

$$SPFM = 1 - \frac{\sum(\lambda_{SPF} + \lambda_{RF})}{\sum(\lambda)}$$

where:

λ_{SPF} : Single Point Fault when there is no safety mechanism

λ_{RF} : Residual Fault

λ : Any Fault

The Latent Fault Metric (LFM) can be calculated according to the following equation.

$$LFM = 1 - \frac{\sum(\lambda_{MPF_UD})}{\sum(\lambda_{MPF} - \lambda_{SPF} - \lambda_{RF})}$$

where:

λ_{MPF_UD} : Multiple Point Fault not detected by the driver

λ_{MPF} : Any Multiple Point Fault

λ_{SPF} : Single Point Fault when there is no safety mechanism

λ_{RF} : Residual Fault

3.1.5 Rough Method by COI Analysis

In the rough method calculation by analyzing COI structure, the best and worst metrics can be quickly calculated.

In the example shown in Figure 32, the faults are distributed as:

- Safe Faults: 550
- Residual Faults in Area A: 122
- Multiple Point Faults in Area B: 1208
- Multiple Point Faults in Area C: 2582

The best SPFM assumes the faults in Area B are propagatable to the diagnostic points. The single-point/residual faults

$\sum(\lambda_{SPF} + \lambda_{RF})$ has number 122 only in Area A. Therefore, the best case SPFM is 97.3%.

The worst SPFM assumes the faults in Area B are all residual faults, so $\sum(\lambda_{SPF} + \lambda_{RF})$ has number 1330 which is 1208 plus 122, and get calculated metric to be 70%.

The best LFM assumes the faults in Area C are all detectable. $\sum(\lambda_{MPF_UD})$ is zero, So LFM is 100% in the rough structural COI analysis.

The worst LFM assumes the faults in Area C can not propagate to the diagnostic points, and they are not detectable.

Therefore, $\sum(\lambda_{MPF_UD})$ has the number of 2582, and the worst LFM is 59.5%.

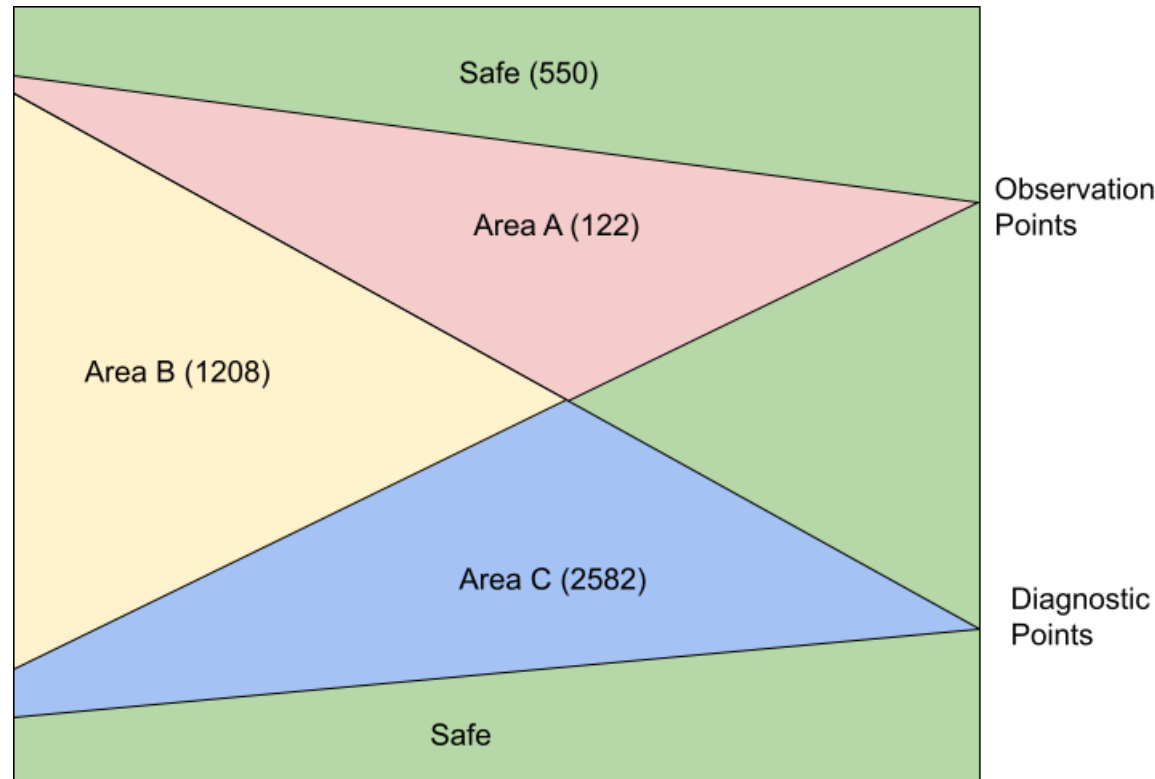


Figure 32: Example fault numbers in COI

3.1.6 Faults Injection Formal Verification

The formal COI analysis needs to be run to get the final accurate metrics. For each fault injected, GOF Formal either proves that a path exists to propagate the fault to the observation or diagnostic points, or disprove there is such path. A path means by toggling input ports in some limited clock cycles, the fault can propagate to the observation/diagnostic points.

GOF Formal doesn't require stimulus nor is a testbench required. The tool automatically determines the stimulus. For each fault injected, two designs are compared to see if the specified outputs are equal. One design is the fault injected design, the other is the original design. The specified outputs are the observation points or the diagnostic points set by user. The faults to be injects can be thousands or millions. GOF Formal uses cluster command to fully utilize the cluster computing power. Thousands of jobs can be submitted in parallel to the cluster machines with only one license being used.

After the detail formal COI analysis of the above example, the residual fault number is 178, and the final SPFM is 96%. The latent fault number is 260, so the final LFM is 94%.

3.1.7 FUSA Metrics Improvement

In order to improve the fault coverage, safety mechanisms should be built in the IC design. There are several approaches for safety mechanism implementation.

- Redundancy design, double modular and triple modular redundancy
- Parity or error correction implementation
- Periodically self check

In Figure 32, a safety mechanism can be a double modular design or ECC design. The diagnostic points would be the alarm bits in the double modular error bit, or ECC error recovering signals. For SPFM metric improvement, those gates in Area A that

are not covered by safety mechanism can be modified to support TMR (Triple Module Redundancy), so that λ_{SPF} can be further reduced and SPFM improved accordingly. See this [TMR ECO Case](#)

3.2 FUSA Example Code

3.2.1 Script for SPFM and LFM Calculation

One example script for SPFM and LFM calculation:

```
set_log_file("spfm_lfm.log"); # Set log file name
read_library("art.5nm.lib"); # Read in liberty file
read_design('-imp', 'ecc_process.v'); # Read in the design block
set_top("ecc_top"); # Set the top module name
create_clock("data_clk", 2);
set_pin_constant("test_mode", 0); # Set pin constraint
set_observe_points("data_out*"); # data_out[31:0] affects functional safety
set_observe_points("synd_out"); # synd_out affects functional safety
set_detect_points("sb_err_o"); # Safety mechanism detecting output
set_detect_points("db_err_o"); # Safety mechanism detecting output
verify_faults("-full"); # Calculate and print SPFM and LFM, Use verify_faults("-coi") for fast SPFM/LFM calculation
gexit;
```

3.2.2 FUSA Debug One Fault

The API verify_faults can run on an individual fault to check if the fault can propagate to the observation points. If the fault is observable, a VCD file can be dumped to show how to toggle the input ports cycle by cycle to propagate the fault. All internal signals waveforms are captured in the VCD file.

The following script is to check if one SEU fault can propagate. If yes, a VCD file is dumped:

```
set_log_file("spfm_lfm.log"); # Set log file name
read_library("art.5nm.lib"); # Read in liberty file
read_design('-imp', 'ecc_process.v'); # Read in the design block
set_top("ecc_top"); # Set the top module name
set_pin_constant("test_mode", 0); # Set pin constraint
set_observe_points("data_out*"); # data_out[31:0] affects functional safety
set_observe_points("synd_out"); # synd_out affects functional safety
# To check if the fault can be propagated to the detect points, set_observe_points on the detect points
verify_faults("u_ecc_ops/bit_reg:SEU", "-vcd", "debug_seu.vcd"); # Check if the Single Event Upset on the flop can propagate
gexit;
```

4 Script Mode Detail Features

4.1 GOF Script Interface



GOF Script Interface can access and change internal netlist design database by exported APIs.

4.1.1 Get Help for APIs

- Type 'help' in interactive shell 'GOF >' to list all APIs
- Type 'help set_*' to list all APIs matching 'set_', like 'set_top', 'set_invert'
- Type 'help individual-API' to list detail of the API
- Visit https://nandigits.com/gof_manual.php for online manual

4.1.2 GOF Script APIs feature list

- Compatible with Perl
- Automatic ECO with fix_design/fix_modules APIs
- Rich ECO APIs to do manual ECO
- ECO operations are reversible
- ECO result can be loaded in schematic on the fly
- Integrated commands to browser netlist and check design status

4.1.3 Full API list

```
add_mapped_instance: Add mapped instance pair between REF and IMP
buffer: ECO command. Buffer high fanout ECO nets
change_gate: ECO command. Modify an instance in ECO
change_net: ECO command. Change a existing net's driver
change_pin: ECO command. Modify pin connection of instances by inserting gates, changing connection to other signal
change_port: ECO command. Change an output port's driver, or add gate after input port
check_design: Check if the netlist status, searching for unresolved modules, floating and multi-drivers
compare: Logic equivalence check on output port and register input pins
compare_nets: Check equivalence of two nets in the reference and implementation netlist
convert_gated_clocks: ECO command. Convert gated clocks to MUX logic.
create_clock: Timing command and GOF Formal command. Create clock for fault verification
create_pin_mapping_json_file: Create pin mapping file between original synthesis netlist and pre-ECO netlist
create_reset: Create reset for the design
current_design: Set the current top level module
current_instance: Set the current instance, alias of 'set_inst'
del_gate: ECO command. Delete gate
del_net: ECO command. Delete net
del_port: ECO command. Delete port
dft_drc: DFT DRC checker
elab_rtl: Elaborate on RTL design
elaborate: Elaborate and compile RTL files
exist_inst: Check if an instance exists
exist_wire: Check if a wire exists
find_equal_nets: Find equivalent nets in IMP for the listed nets in REF, the results are printed out on the screen
fix_design: ECO command to fix the design in automatic ECO
fix_logic: ECO command. Fix listed points
flatten_modules: Flatten hierarchical modules in reference netlist
get_cell_cofactors: Get combinational cell pin Shannon expansion cofactors
get_cell_info: Get information of a module or instance
get_cells: Get all cells in the current module or sub-modules
get_conns: Get connections of net or pin in the top level module, return the leafs and the hierarchical connections
get_coord: Get an instance's coordination
get_definition: Get instantiation of instance
get_driver: Get the driver of a net or pin
get_drivers: Get the drivers of a net or pin
get_instance: Get instance in the top level module
get_instances: Get all hierarchical instances in the top level module
get_leaf_pin_dir: Get leaf cell pin's direction input/output/inout
get_leafs_count: Get all leaf cells name and count in the top level module, return an array
get_lib_cells: Get leaf gates in libraries
get_loads: Get loads of net in the top level module, return the leafs connections
get_loads_phase: Get loads of net with phase in the top level module, return the non-buffer/inverter leafs connections
get_logic_cone: Get logic cone of nets or pins
get_modules: Get modules under current module
get_net_of: Get net name connecting to a pin
get_nets: Get nets that matching pattern
get_path: Get current hierarchical path
get_pins: Get pins of instance or module
get_ports: Get all ports in the current top level module
get_ref: Get the reference of the instance, return leaf cell name or hierarchical module name
get_resolved: Resolve the relative path to module and leaf item
get_roots: Get root designs name
get_scan_flop: Get scan flop for the non scan flop
get_spare_cells: ECO command. Get spare cells
get_spare_in_use: Get spare cells used in the ECO
gexit: Exit the command interactive mode
gof_version: Print out GOF version
gprint: Print the message and save to log file
is_leaf: Check if a module or instance is leaf cell
is_pin_masked: Check if an instance pin has been masked in the current constraint
is_scan_flop: Check if an instance is scan flop
is_seq: Check if an instance or a leaf cell is a specific sequential cell
list_wireload: Timing command. List all wireload defined in the liberty files
map_spare_cells: ECO command. Map all new created cells to spare cells
new_gate: ECO command. Create new gate
new_net: ECO command. Create a new net
new_port: ECO command. Create a new port for the current top level module
place_gate: ECO command. Place an instance to a specific position
place_port: ECO command. Place port position
pop_top: Pop out the saved top level module from the stack and discard the current setting
post_recovery: ECO command. recover deleted gates after ECO
preserve_modules: Preserve wires in the modules listed or all modules
push_top: Set the current top level module and push the previous setting to stack, pop_top can retrieve it
read_def: Read DEF file
read_design: Read verilog netlist files
read_file: Read timing violation report file
read_lef: Read LEF file
read_library: Read standard library or verilog library files
read_rtl: Read RTL files
read_rtlpatch: Read RTL Patch file
read_sdf: Read SDF Standard Delay Format file
read_sub_module_netlist: Read in new synthesized netlist file
read_sub_module_svf: Read in new synthesized design SVF file
read_svf: Read Synopsys SVF text files
read_vcd: Read VCD file
rename_net: ECO command. Rename a net name
replace_sub_module_netlist: Replace sub-module in the design by a new re-synthesized sub-module netlist and write to a new top netlist
replace_sub_module_svf: Replace sub-module SVF in the design by a new re-synthesized sub-module SVF file content
report_eco: Report ECO
report_spare_cells: Report Spare cells
report_timing: Timing command. Report timing
restore_session: Restore ECO session
rtl_compare: RTL to RTL compare
run: Run Netlist processing script
run_lec: Run Logic Equivalence Check of the Implementation Netlist vs the Reference Netlist
save_session: Save ECO session
sch: Launch schematic to verify ECO
set_auto_fix_floating: ECO setting. Enable automatic fixing floating input ports after fix_modules
set_bfix: Enable or disable BFIX features which is for precise combinational logic fix
set_blackbox: Set Blackbox on Modules
```



```
set_bound_opti: Set boundary optimization checking
set_buffer: Set buffer type. The tool automatically picks one if the command is not called
set_buffer_distance: Set distance limit for inserting buffer
set_clock_uncertainty: Timing command. Set clock uncertainty
set_cluster_command: Set cluster command in parallel fault verification
set_cluster_timeout: Set time out for cluster command
set_constraints: Set constraints for map_spare_cells command
set_cutpoint_thresh: Set Cutpoint Threshold
set_cutpoint_ultra: Set the level in doing CutPoint Ultra
set_define: Set define
set_detect_points: set detect points
set_disable_cross_hierarchy_merge: Set this variable to disable cross hierarchy register merging
set_disable_lib_cache: Disable liberty file cache
set_dont_fix_modules: Set dont fix property on modules
set_dont_use: Set dont use property on library cells
set_eco_effort: ECO setting. Set ECO effort
set_eco_point_json: Set a JSON file name for saving the ECO point data.
set_equal: ECO setting. Set two points to be equivalent in the Reference and Implementation Netlists
set_error_out: Set error out setting
set_exit_on_error: Whether the tool should exit when the script runs into an error
set_exit_on_warning: Whether the tool should exit when the script runs into a warning
set_false_path: Timing command. Set false path
set_floating_as_zero: Set floating net as constant zero
set_flop_default_eco: Set flop default eco by inverting input pin and output pin
set_flop_merge_enable: Inside module flop merge enable
set_high_effort: Set high ECO effort on modules
set_ignore_instance: ECO setting. Set ignored sequential or blackbox instances in ECO
set_ignore_network: ECO setting. Set ignore network in ECO
set_ignore_output: ECO setting. Set ignore output ports
set_ignore_pin: set ignore on the pin of black box like memory in logic equivalence checking
set_inc_dirs: Set include directories
set_initial_trans: Timing command. Set initial transition for clock
set_input_delay: Timing command. Set input delay
set_input_transition: Timing command. Set input transition to all input ports
set_inside_mod: Set fix scope inside the current module
set_inst: Set the current instance, alias of 'current_instance'
set_inv: ECO setting. Set two points to be inverted in the Reference and Implementation Netlists
set_invert: Set invert type. The tool automatically picks one if the command is not called
set_keep_format: Keep the format of the original verilog when ECO is done (Keep original netlist format)
set_keep_tree: Set keeping buffer tree, so that buffer tree won't be removed in ECO
set_keypoints_rep_in_ref: ECO setting. Replace keypoints naming in Reference Netlist.
set_leaf: Set a hierarchical module to be leaf. Useful to stub hierarchical instances
set_log_file: Set log file name
set_low_effort: Set low ECO effort to speed up ECO process
set_mapped_point: ECO setting. Set two points mapped in Reference and Implementation Netlists
set_mapping_method: LEC setting. Detecting flop phase inversion.
set_max_lines: Set max output lines
set_max_loop: Setup max loop, the tool stops logic optimization when max loop number is reached
set_mod2mod: Set reference module mapping to implementation module
set_mu: MU configuration, setup MU value for BDD threshold
set_multibit_blasting: Set blasting on multibit flops
set_multibit_output: Set multibit flops output in ECO results
set_net_constant: Set net to a constant value in DFT constraint
set_no_patch_opt: Disable patch optimization
set_noexact_pin_match: ECO setting. Don't match some special pins
set_observe_points: set observe points
set_one_fault: Set one fault for verify_state command
set_only_use: In optimize_patch, Only use these cells listed
set_output_delay: Timing command. Set output delay
set_output_load: Timing command. Set output load to all output ports
set_phase_adjust_en: Enable phase adjusting
set_phase_inv: ECO setting. Set flops invert phase in the Reference and Implementation Netlists
set_physical_aware: Enable physical aware ECO
set_pin_constant: Set pin to a constant value in DFT constraint
set_power: Set power pins connections for leaf cell
set_preserve: Set preserve property on instances. The tool does not remove them in ECO
set_quiet: Run script in quiet mode
set_recovery_distance: Set distance limit for gates recovery in ECO
set_remove_undsc_in_ref: ECO setting. Remove last '_' in flop instance in Reference Netlist
set_rtl_eco_full_hier_fan: RTL ECO has full hierarchical fanout
set_save_mapped_instance: Dump key points mapping information for LEC
set_scan_pairs: Set scan output ports, the command is used with dft_drc
set_sn_vs_rn: Check set pin and reset pin priority
set_solver_timeout: Set time out for solver
set_tiehi_net: Set tiehi net name, it is used if tiehi net is needed in ECO
set_tielo_net: Set tielo net name, it is used if tielo net is needed in ECO
set_time_frame_limit: GOF Formal only. Set limitation for time frame in fault verification, default 35
set_top: Set the current top level module
set_top_ref: Set the top level module for the Reference design
set_tree: Set the current tree, if there are more than one sets of databases
set_user_match: Set match between multi-bit flops to multi-bit flops, and between multi-bit flops to single bit flop
set_verbose: Run script in verbose mode
set_wireload: Command for Timing Report. Set wireload for one liberty library
set_write_verilog_remove_backslash: Enable write out verilog with backslash removal
set_write_verilog_uniquify: Enable write out verilog in uniquified mode
set_xm_flop_merge_enable: Cross module flop mapping and merging enable.
setup_eco: ECO command. Setup ECO
source: Run Netlist processing script.
start_gui: Start GUI windows
stitch_scan_chain: ECO command. Stitch scan chain
suppress_errors: Suppress error messages
suppress_warnings: Suppress warning messages
swap_inst: ECO command. Swap two instances with same input/output pins.
undo_eco: ECO command. Undo eco operations, restore the database to the original state.
verify_faults: GOF Formal only. Verify fault in stuck-0 or stuck-1 mode
verify_state: GOF Formal only. Verify if a sequence exists to set the signal
write_compare_points: Write all compare points to a report file
write_dcsh: ECO command. Write ECO result in Design Compiler dcsh script format
write_formality_help_files: Write formality help files including mapped instance list and modified netlist files if necessary
write_perl: ECO command to write ECO result in Perl script
write_socce: ECO command. Write ECO result in Cadence SOC Encounter script format
write_spare_file: ECO command. Write spare cells list to a file
write_tcl: ECO command to write ECO result in Design Compiler tcl script format
write_verilog: ECO command to write ECO result in Verilog netlist
```

4.1.4 API grouping

4.1.4.1 Netlist Browse APIs

One key element to do efficient manual ECO is to isolate the ECO spots quickly. The following APIs are for fast Netlist Browsing.

```
get_cells: Get all cells in the current module or sub-modules
get_conns: Get connections of net or pin in the top level module, return the leafs and the hierarchical connections
get_driver: Get the driver of a net or pin
get_drivers: Get the drivers of a net or pin
get_instance: Get instance in the top level module
get_instances: Get all hierarchical instances in the top level module
get_lib_cells: Get leaf gates in libraries
get_loads: Get loads of net in the top level module, return the leafs connections
get_modules: Get modules under current module
```



```

get_net_of: Get net name connecting to a pin
get_nets: Get nets that matching pattern
get_pins: Get pins of instance or module
get_ports: Get all ports in the current top level module
get_ref: Get the reference of the instance, return leaf cell name or hierarchical module name

```

For example, to get data pins of flops in one module. The script can use these browse APIs

```

my @flop_data_pins;
set_top("module_name");
my @flops = get_cells("-type", "ff");
foreach my $flop (@flops){
    my @dpins = get_pins("-data", $flop);
    push @flop_data_pins, $dpins;
}

```

After run the script, @flop_data_pins have all data pins of all flops in the module.

4.1.4.2 Automatic ECO APIs

These APIs are for Automatic ECO

```

fix_design: ECO command to fix the design in automatic ECO
fix_logic: ECO command. Fix listed points
map_spare_cells: ECO command. Map all new created cells to spare cells

```

4.1.4.3 File IO APIs

These APIs are for reading/writing files.

```

read_def: Read DEF file
read_design: Read verilog netlist files
read_file: Read timing violation report file
read_lef: Read LEF file
read_library: Read standard library or verilog library files
restore_session: Restore ECO session
save_session: Save ECO session
write_dcsh: ECO command. Write ECO result in Design Compiler dcsh script format
write_perl: ECO command to write ECO result in Perl script
write_soc: ECO command. Write ECO result in Cadence SOC Encounter script format
write_spare_file: ECO command. Write spare cells list to a file
write_tcl: ECO command to write ECO result in Design Compiler tcl script format
write_verilog: ECO command to write ECO result in Verilog netlist

```

4.1.4.4 Manual ECO APIs

These are APIs for Manual ECO.

```

buffer: ECO command. Buffer high fanout ECO nets
change_gate: ECO command. Modify an instance in ECO
change_net: ECO command. Change a existing net's driver
change_pin: ECO command. Modify pin connection of instances by inserting gates, changing connection to other signal
change_port: ECO command. Change an output port's driver, or add gate after input port
del_gate: ECO command. Delete gate
del_net: ECO command. Delete net
del_port: ECO command. Delete port
new_gate: ECO command. Create new gate
new_net: ECO command. Create a new net
new_port: ECO command. Create a new port for the current top level module

```

Combining netlist browsing APIs, a short GOF script can do very efficient ECOs.

For example, to add isolation cells for all output ports of a module.

```

set_top("module_name");
my @out_ports = get_ports("-output");
foreach my $out (@out_ports){
    change_port($out, "AND2X2", "", "-,net_iso_enable");
}

```

4.1.5 APIs Detail usage

For detail of APIs visit [Appendix A](#)

4.2 String Handling In Script Mode

4.2.1 Single quote and double quote

Any string in GOF script for module/instance/wire/pin/port should be enclosed by single quote or double quote. When a Perl variable is used, double quote should be used

```

my $inst = "state_reg_0";
change_pin("inst/D", "1'b0");

```

4.2.2 Instance and net with backslash

Instance with backslash should be either put in single quote and with a space in the end.

```

change_pin('\u_abc/u_def/state_reg[0] /RN', "1'b0");

```

Net name with backslash should keep the backslash and space. For example

```

DFFQ_X4M \u_abc/u_def/state_reg[0] (.D(\u_abc/u_def/net123 ), .Q(\u_abc/u_def/state[0] ));

```

The net '\u_abc/u_def/net123' should have backslash and space kept in API, for example:

```

change_net("\u_abc/u_def/net123 ", "INVX1", "", "-");

```

4.3 Run and debug GOF script

4.3.1 Command line

In Linux Shell, the script can be run by '-run' option.

```

gof -run run_example.pl

```

4.3.2 GOF Shell

If '-run' option is present in the command line, and 'exit' or 'gexit' is not in the script, or GOF meets error when executing the script, GOF goes into interactive mode with GOF shell 'GOF >'.

```

GOF, Netlist Processing Script APIs, Interactive Mode
Run 'start_gui' to launch GUI window
Run 'help' to list API calls
GOF >

```

Individual command can be executed in GOF shell. The command can be in nested mode

```
GOF > set_top(get_ref("u_rxbuF"))
```

4.3.3 Run in GUI mode

GOF scripts can be run in GUI window. In GofViewer, click Menu Commands->'Launch GOF Script Interface' to launch GOF GUI window.

Type 'help' in the shell entry for help information. Scripts can be run by '-run' command in the shell entry

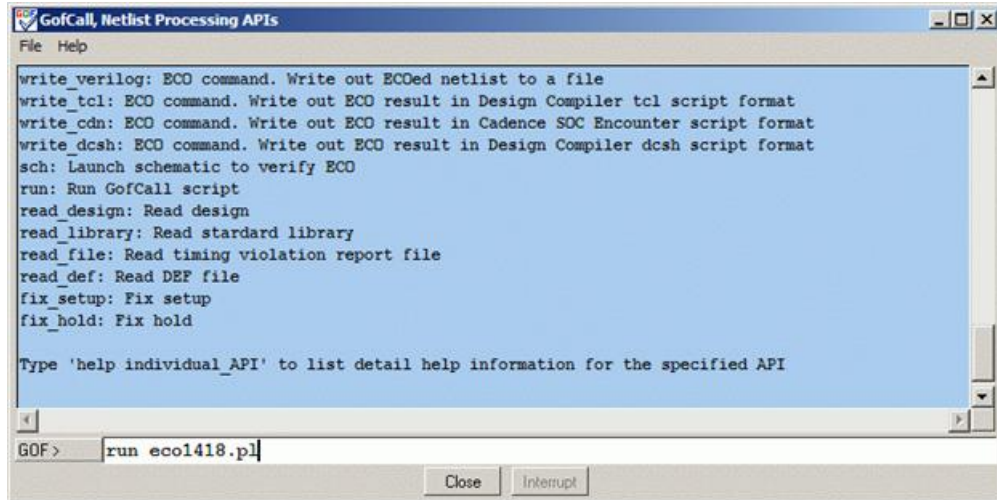


Figure 33: GofCall window

4.3.4 Fast schematic launch

In GOF shell, GUI windows can be launched by 'start_gui' or 'sch' commands.

'start_gui' launches netlist view window first and user can bring up schematic window from netlist view window.

'sch' command only launches schematic window, and it doesn't enable netlist view window. So it has fast turnaround in GUI interactive debug.

For example,

After the following command is done,

```
change_pin("u_top/u_core/u_regmod/state_reg/D", "XOR2X2", "", "--,new_enable");
```

Run 'sch' in 'GOF >'

```
GOF > sch("u_top/u_core/u_regmod/state_reg")
```

The instance is loaded into a schematic and user can click on the instance's pins to trace fanin/fanout on the schematic to see if the ECO is done as expected.

4.3.5 Break points for debug

'sch' fast schematic launch command can be used as break points for debug. For example, 'sch' commands are inserted in GOF script, when the tool runs to the point, a schematic is launched.

```
...
setup_eco("eco_3821");
set_log_file("t_eco_3821.log");
read_library("art.m.simple.lib");
read_design("-imp", ". /cdir/imp_name.v");
change_pin("state_reg_0/_D", "MX2X4", "eco_inst_1", ".A(-).B(next_state[7]).S0(sel_mode)");
sch("state_reg_0");
...
```

On the schematic, user can use mouse-middle-button clicking on the pin 'D' to see if the ECO is done as expected.

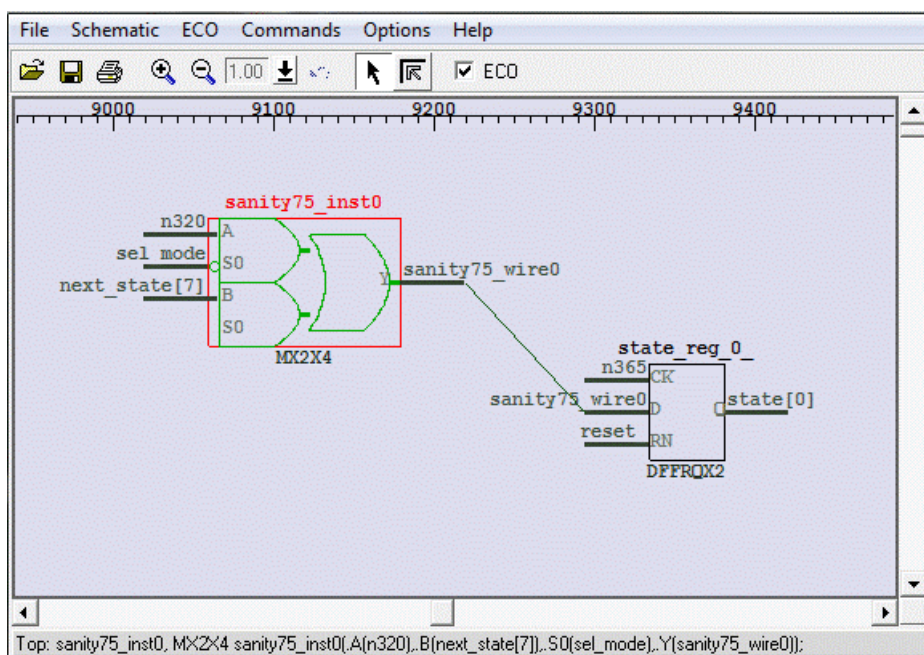


Figure 34: Launch schematic at break point

Note: 'ECO' check-button is enabled automatically, since there is ECO having been done.

To compare with the logic before ECO, launch a new schematic by menu Schematic->'New Schematic'. On the new schematic, press 'ctrl-g' or by menu Schematic->'Load Gate' to load in the flop under ECO.

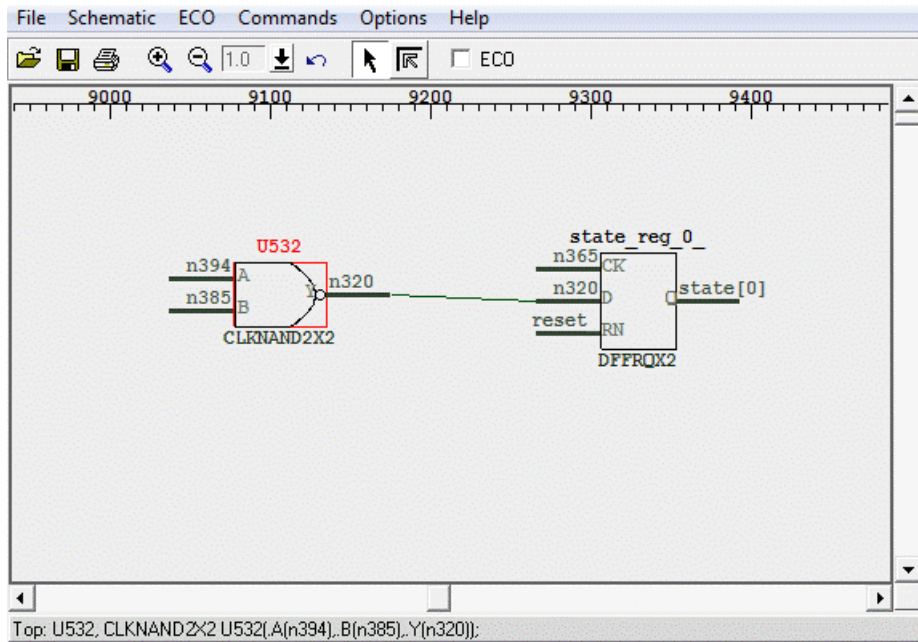


Figure 35: Launch schematic before ECO

Note: 'ECO' check-button is un-checked.

4.3.6 Counter-example back-annotated to schematic

In GOF shell 'GOF > sch the_non_equivalent_point -both', so that both instances/ports in the Implementation and Reference Netlists are loaded into a schematic. Select both of them, right the mouse and select 'LEC Debug the_non_equivalent_point'. After the run finishes, use mouse middle button to expand the schematic, and the counter-example values are back-annotated on the schematic.

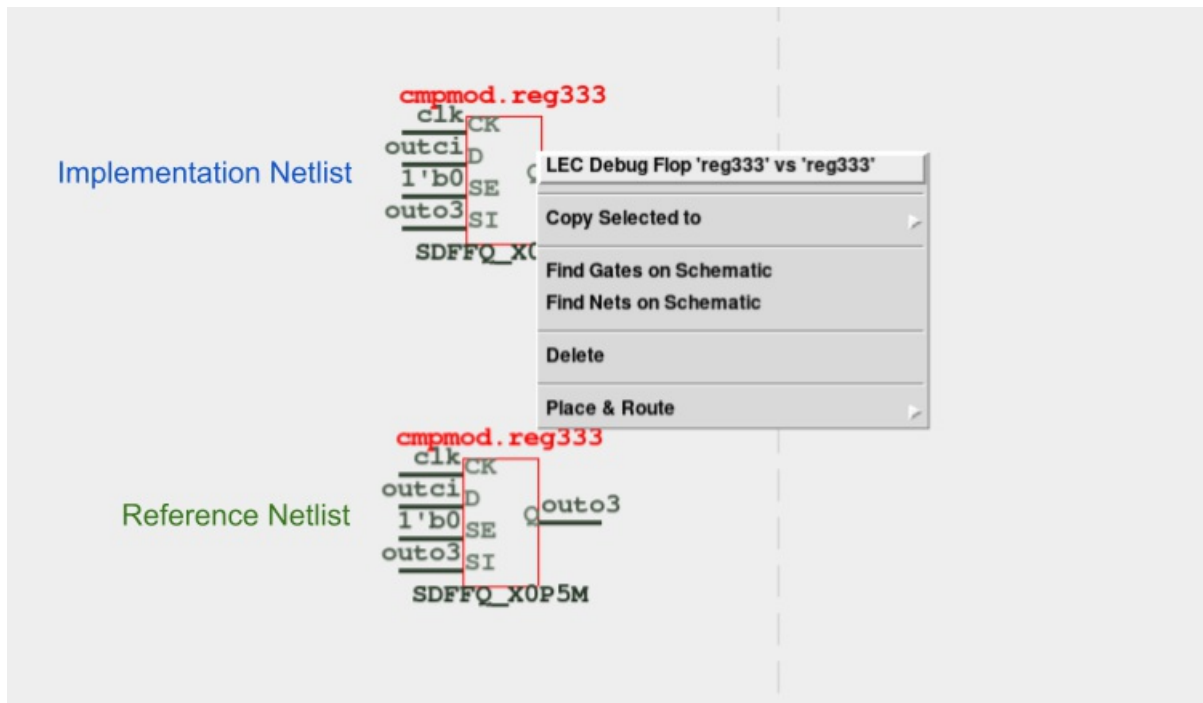


Figure 36: Debug non-equivalence by counter-example back-annotated

Two corresponding flops, two corresponding output ports, and any two nets in the Reference Netlist and the Implementation Netlist can be compared in debug mode. In cases where the outcome is non-equivalent, the counterexample will be presented to the gate pins on the schematic.

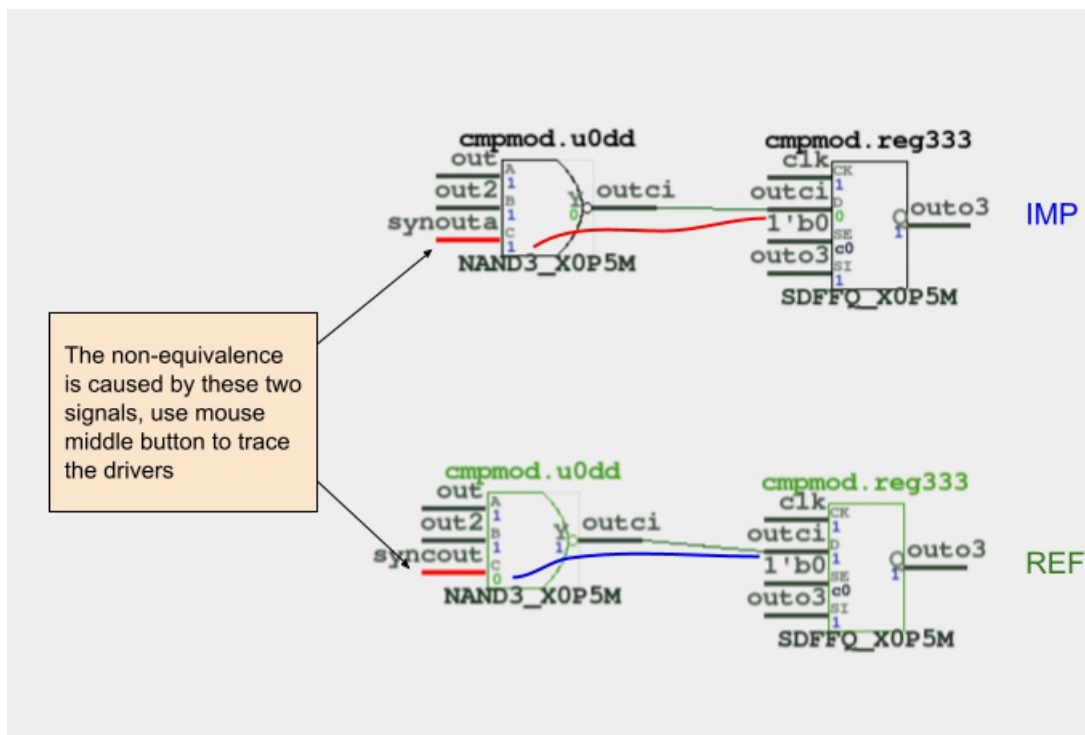


Figure 37: Counter-example back-annotated on the schematic

4.4 Typical Manual ECO operations

4.4.1 Insert gate to port

Both input port and output port have the same operation

4.4.1.1 Insert an invert to input port

```
# Insert to input port 'in_enable'
```



```
change_port("in_enable", "INVX1", "inst_name", "-"); # 'inst_name' can be empty
```

4.4.1.2 Insert to output port

```
# Insert AND2X1 to output port 'out_enable', one pin connects to the original driver,
# the other pin is driven by 'scan_mode'
change_port("out_enable", "AND2X1", "", "scan_mode,-");
```

4.4.1.3 Insert inverts to multiple ports

```
# Find all ports matching string "abcde" and insert invert to each port
my @ports = get_ports("*abcde*");
foreach my $port (@ports){
  change_port($port, "INVX1", "", "-");
}
```

4.4.2 Insert gate to register instance pin

4.4.2.1 Insert invert to flop data pin

```
# Insert an invert to 'D' pin of flop 'abc_reg'
change_pin("abc_reg/D", "INVX1", "", "-");
```

4.4.2.2 Insert invert to flop output pin

```
# Insert an invert to 'Q' pin of flop 'abc_reg'
change_pin("abc_reg/Q", "INVX1", "", "-");
```

4.4.2.3 Insert MUX to data pin of multiple flops

```
# Find all flops matching string "cnt_reg" and insert MUX to 'D' pin of each flop,
# so that each flop is preset to 'preset_val' when 'preset_enable' is high
my @flops = get_cells("*cnt_reg*");
foreach my $flop (@flops){
  change_pin("$flop/D", "MUX2X2", "", ".A(-),.B(preset_val),.S(preset_enable)");
}
```

4.4.3 Change flops to other type

4.4.3.1 Change non-reset flop type to resettable flop

```
# Find all flops matching string "cnt_reg" and change each flop to resettable flop
my @flops = get_cells("*cnt_reg*");
foreach my $flop (@flops){
  change_gate($flop, "DFFRQX2", ".RD(reset_n)");
}
```

4.4.4 Insert gate to hierarchical instance pin

4.4.4.1 Insert inverts to hierarchical instance pins

```
# Find all instances matching "tx_mac" in module "abc_mod" and insert invert to 'loop_en' pin
set_top("abc_mod");
my @insts = get_instances("*tx_mac*");
foreach my $inst (@insts){
  change_pin("$inst/loop_en", "INVX1", "", "-");
}
```

4.4.4.2 Insert AND to hierarchical instance pins

```
# Find all instances matching "tx_mac" in module "abc_mod" and
# AND all output pins with "power_on" signal.
set_top("abc_mod");
my @insts = get_instances("*tx_mac*");
foreach my $inst (@insts){
  my @pins = get_pins("-output", $inst);
  foreach my $pin (@pins){
    my $net = get_net_of($pin); # Only add AND to those out pins driving nets
    if($net){
      change_pin($pin, "AND2X2", "", ".A(-),.B(power_on)");
    }
  }
}
```

5 GOF LEC: Logic Equivalence Checking Tool

5.1 GOF LEC Overview

The GOF platform features a built-in powerful logic equivalence checker tool called GOF LEC. While not mandatory, the tool can benefit from SVF files in certain cases. It is strongly advised to utilize SVF files if they are obtainable, especially for designs with multibit flop. The two designs being compared can either be in RTL or Netlist format, with RTL supporting SystemVerilog2017. The read design method differs depending on whether RTL or Netlist is being supported.

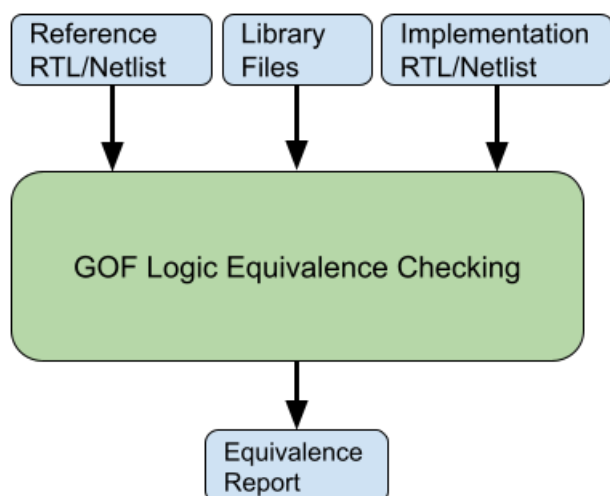


Figure 38: GOF LEC Engine

5.1.1 Netlist to Netlist LEC

The following is the example script for Netlist to Netlist LEC:

```
# LEC script, run_net2net Lec.pl
use strict;
read_library("art.5nm.lib"); # Read in standard library
read_svf('-ref', 'AI2023_top_syn.svf.txt'); # Optional, must be loaded before read_design, must be in text format
read_svf('-imp', 'AI2023_top_pr.svf.txt'); # Optional, must be loaded before read_design, must be in text format
read_design('-ref', 'AI2023_top_syn.v'); # Read in the Reference Netlist, prelayout netlist
read_design('-imp', 'AI2023_top_pr.v'); # Read in the Implementation Netlist, postlayout netlist
```



```

set_top("AI2021_top"); # Set the top module
set_ignore_output("scan_out*");
set_pin_constant("scan_enable", 0);
set_pin_constant("scan_mode", 0);
my $non_equal = run_lec; # Run logic equivalence check on the two netlists
if($non_equal){
  gprint("LEC failed with $non_equal non-equivalent points");
}else{
  gprint("LEC passed");
}

```

5.1.2 RTL to Netlist LEC

The following is the example script for RTL to Netlist LEC:

```

# LEC script, run_rtl2net_lec.pl
use strict;
read_library("art.5nm.lib"); # Read in standard library
set_inc_dirs("-ref", "inc_dir_path/include");
set_define("-ref", "NO_SIMULATION", 1);
my @rtl_files = ("cpu_core.sv", "mem_ctrl.sv", "display_sys.sv", "chip_top.sv");
read_rtl("-ref", @rtl_files); # Read in the Reference RTL files
read_svfv('-imp', 'chip_top.svf.txt'); # Optional, must be loaded before read_design, must be in text format
read_design('-imp', 'chip_top.v'); # Read in the Synthesis Netlist
set_top("CHIP_TOP"); # Set the top module
set_ignore_output("scan_out*");
set_pin_constant("scan_enable", 0);
set_pin_constant("scan_mode", 0);
elab_rtl(); # RTL processing
my $non_equal = run_lec; # Run logic equivalence checking on RTL vs Netlist
if($non_equal){
  gprint("LEC failed with $non_equal non-equivalent points");
}else{
  gprint("LEC passed");
}

```

6 GOF Debug: Netlist Debug and Schematic

GOF Debug has been spun off into an independent tool, offering users the flexibility to purchase licenses on a daily basis. For more information on licensing options, please refer to the [Purchase](#) page.

GOF Debug encompasses a comprehensive debugging process, including:

- Script mode debugging (described in previous chapters)
- Incremental Schematic feature
- Logic Non-equivalence debug

This chapter will delve into the details of GUI operation, providing a thorough understanding of its features and applications.

6.1 GofViewer

When GOF is run without '-run' or '-shell' option, it goes into GUI mode.

```
gof -lib t65nm.lib -lib io.liblong_port.v
```

GofViewer is the first window after GOF starts up GUI interface.

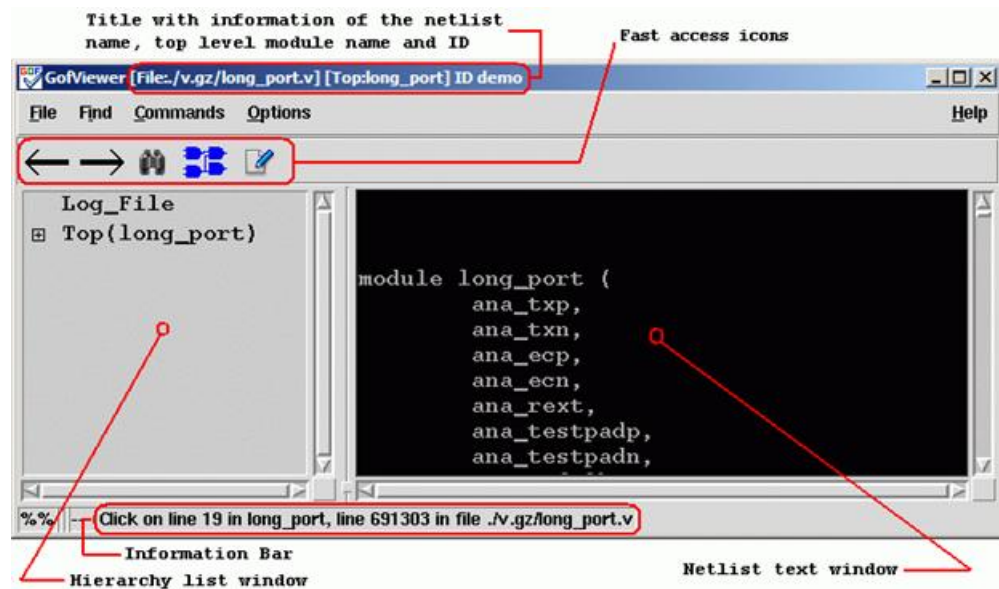


Figure 39: GofViewer Window

6.1.1 Log Window

If there are errors or warnings in loading the database, Log Window pops up

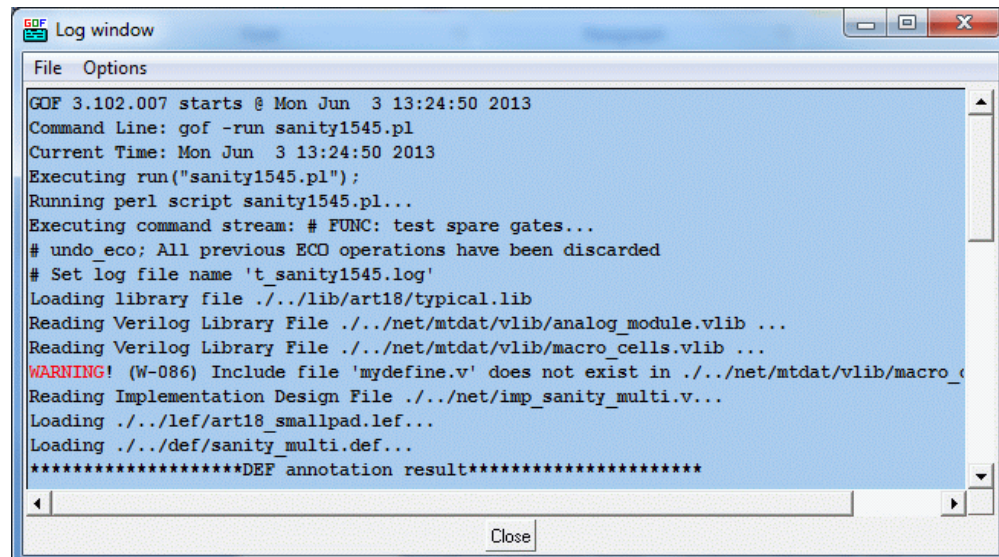


Figure 40: Log Window



6.1.2 File Menu

6.1.2.1 Load Design

Users can input netlist files and design files through the Load Design command.

6.1.2.2 Reload Design

If any netlist file or design file has been updated during GOF session, this command can be used to reload the design.

6.1.2.3 Open Other Netlist

This command loads another netlist file to create a new hierarchical tree. The hierarchy tree is listed in the hierarchy list window. The command is useful when users want to draw circuits from different netlist file on the same schematic which is good for logic comparison in netlist debug scenario such as LEC failures analysis.

6.1.2.4 Open Log Window

The command opens log file in a text window.

6.1.2.5 Exit

Exit command.

6.1.3 Find Menu

6.1.3.1 Search

This command searches for the matching string in the netlist text window.

6.1.3.2 Goto Line Number

GOF loads only one module in the netlist text window when the netlist file is hierarchical with multiple modules. The command loads the corresponding module into the text window and highlight the line with the specific number in the netlist file.

6.1.3.3 Report Area

This command reports the design area. The command requires standard library files to be loaded which include leaf cell area information.

6.1.3.4 Report Leakage

This command reports the leakage power in the design. Same as the Report Area command it requires standard libraries.

6.1.3.5 Report Leaf Cells

This command reports the leaf cell type and numbers in the design.

6.1.3.6 Report Submodules

This command reports the hierarchical sub-modules in the design.

6.1.3.7 Statistic of Current Design

This command reports the statistic of the current design. It pops up an option window for interactivity from users.

6.1.3.8 List Library

The command lists the libraries and leaf cells in each library.

6.1.3.9 List Context for Leaf Cell

This command pops up an entry window for users to input leaf cell name string, wild card can be accepted. All leaf cells matching the string is listed. If there is only one cell matched, the detail property is listed.

6.1.4 Commands Menu

6.1.4.1 Launch GofTrace Schematic

This command launches GofTrace Schematic, if any instance or net string is highlighted in the netlist window, the instance or the driver of the net is drawn on the schematic. Otherwise, the schematic is empty.

6.1.4.2 Launch GofTrace with Gate

This command pops up an entry window for users to input a string to load a specific instance. For example, 'u_abc/U123'. Click 'OK' button on the pop window, GofTrace Schematic is launched.

6.1.4.3 Launch Layout Viewer

This command launches Layout Viewer window, if any instance or net string is highlighted in the netlist window, the instance or the driver of the net is highlighted on the Layout Viewer window. The command requires that physical files to be loaded. Both def and lef files should be loaded before launching Layout Viewer, otherwise a warning window pops up for the missing physical files.

6.1.4.4 Launch GofCall Script Interface

This command launches GofCall window to run scripts or other interactive command.

6.1.4.5 Spare Cells

This command group processes Spare cells in metal ECO. Warning! GUI metal ECO is used for visually checking the possibility of metal ECO. The script mode metal ECO is recommended.

- Create Spare Cells File

This command extracts spare cells from netlist file. A pop window appears for spare gates pattern. The default is 'spare_*/*'.
This command extracts spare cells from netlist file. A pop window appears for spare gates pattern. The default is 'spare_*/*'.

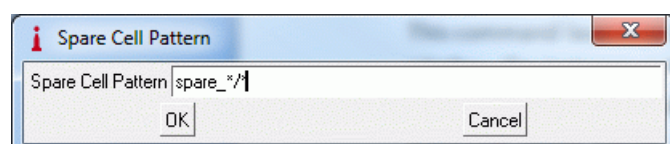


Figure 41: Spare Cell Pattern

Click 'OK' to extract spare instances from the netlist, and a pop text window appears to list all spare gate instances. Save the list to a spare list file for later usage.

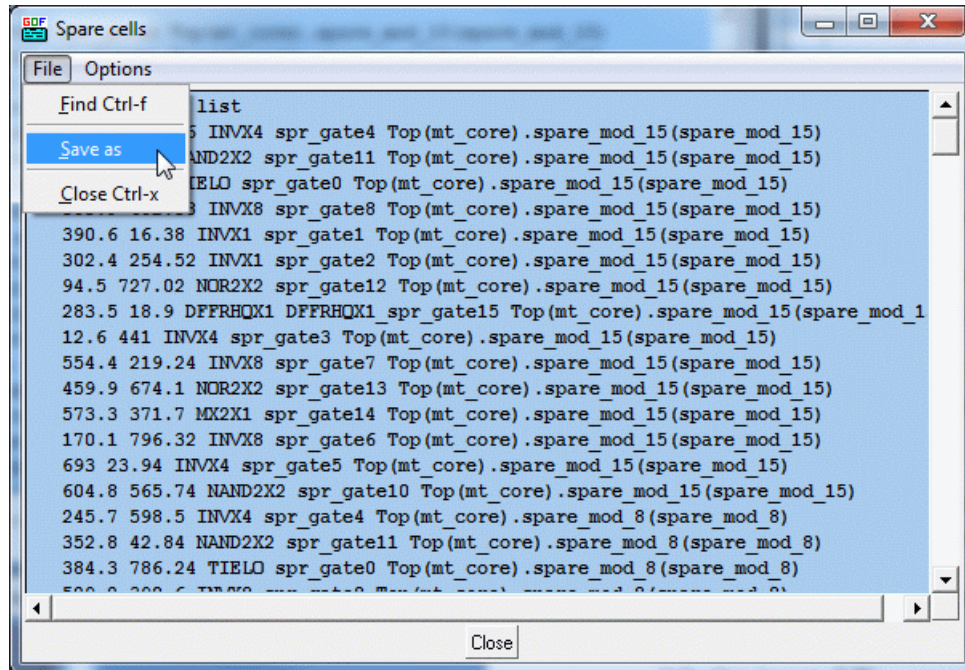


Figure 42: Spare cell list

- Load Spare Cells File

This command loads in the spare cells file created by the above command.

6.1.5 Options Menu

6.1.5.1 Hierarchy Window Font

Check [GofViewer](#) for the hierarchy list window position

- Increase Font Size
Increase font size in the hierarchy list window.
- Decrease Font Size
Decrease font size in the hierarchy list window.

6.1.5.2 Netlist Window Font

Netlist window locates in the right side of GofViewer window. Check [GofViewer](#) for the netlist text window position

- Increase Font Size
Increase the font size in netlist window.
- Decrease Font Size
Decrease font size in netlist window.

6.1.5.3 Dump Waveform Restore File

An option window pops up for users to choose which dump restore file to be saved. It's useful for netlist simulation debug. When one format box is checked in pop menu, 'Write Waveform Restore File' item is presented on the top when one net is selected in the netlist window.

6.1.5.4 Setup

Integration of various setup information.

6.1.6 Help Menu

6.1.6.1 General

General help information.

6.1.6.2 About

About Gates On the Fly.

6.1.6.3 nandigits.co/gof_manual.php

Visit the website for this manual.

6.1.6.4 Read Ethernet Mac Address

Read out MAC address. When users decide to purchase licenses or ask for evaluation licenses, MAC address is required to generate GOF licenses.

6.1.7 Keyboard Shortcuts

6.1.7.1 Access Menu

Press key 'Alt' and underlined letter in menu.

6.1.7.2 Functions access

- Ctrl-a: Select all text lines
- Ctrl-c: Copy the marked (highlighted) string
- Ctrl-v: Paste the content in clipboard
- Ctrl-d: Trace driver of the marked net
- Ctrl-f : Search function
- Ctrl-g: Load instance to schematic
- Ctrl-s: Emacs style search forward
- Ctrl-r: Emacs style search backward
- Ctrl-w: Write to waveform dump restore file
- Ctrl-x: Exit the current window

6.1.8 Selection Status

Click mouse-left-button on netlist text window, the object which can be net, instance or module under the cursor is highlighted. Netlist window pop menu has different content according to the selection status. Pressing keys Ctrl-a can have all content in the netlist window selected. Press mouse-left-button and don't release, move mouse down to select multiple lines.

6.1.9 Netlist Window Pop Menu

Click mouse-right-button and release, a pop menu appears under the cursor. The menu content varies with the selection status in the netlist window.

6.1.9.1 Search

Search for a string in the netlist window. Keyboard shortcut is Ctrl-f.



6.1.9.2 Copy Selected to

Copy the selected object (net or instance) to new schematic window or existing schematic window.

- Schematic New
Copy the selected object to a new schematic.
- Schematic #number
Copy the selected object to an existing schematic window.

6.1.9.3 Find Equal Nets of the selected Reference Net

The command only shows up when the selected net is in Top_ref Reference Netlist. To keep all wires in Reference RTL, 'preserve_modules' should be used before bringing up the GUI window. The following script can be used to start the GUI window:

The following script is to preserve RTL wires in 'Find Equal Nets':

```
# GOF script, preserve RTL wires and start up GUI
use strict;
read_library("art.5nm.lib");# Read in standard library
set_define("SYNTHESIS");
set_define("NO_SIM");
set_inc_dirs("/project/nd900/vlib/include", "/project/nd900/IPS/include");
read_rtl('-ref', "ref0.sv", "ref1.sv", "ref2.sv");
read_svf('-imp', 'implementation.svf.txt'); # Optional, must be loaded before read_design, must be in text format
read_design("-imp", "implementation.gv");# Read in Implementation Netlist
set_top("topmod");# Set the top module
preserve_modules("-all"); # Preserve wires in all modules during elaboration and compile
elaborate();
start_gui;
```

6.1.9.4 Driver of the selected net

Trace to the driver of the selected net. The netlist window shows the instance that drives the net and mark the driven net.

6.1.9.5 List Connectivity of the selected net

Pop up a window to list the connectivity of the selected net.

6.1.9.6 List Fanin EndPoints

Pop up a window to list the fanin endpoints including flops and input ports that drive the selected net.

6.1.9.7 List Fanout EndPoints

Pop up a window to list the fanout endpoints including flops and output ports that are driven by the selected net.

6.1.9.8 Parent Module

Go to the definition location of the parent module calling the current module. It's only active in sub-modules, not in root top level module.

6.1.9.9 List Context

List the context of the selected object which can be net, instance or module.

6.1.10 Hierarchy Window Pop Menu

Click mouse-right-button and release, a pop menu appears under the cursor. The menu content varies with the selection status in the hierarchy window.

6.1.10.1 Show Definition

Open the module content and display it in the netlist window.

6.1.10.2 Show Calling

Open the parent module and highlight the instantiation location.

6.1.10.3 Report Area of the selected design

See [Report Area](#)

6.1.10.4 Report Leakage of the selected design

See [Report Leakage](#)

6.1.10.5 Report Leaf Cells of the selected design

See [Report Leaf Cells](#)

6.1.10.6 Report Submodules of the selected design

See [Report Submodules](#)

6.1.10.7 Statistic of the selected design

See [Statistic of Current Design](#)

6.1.10.8 Edit Module of the selected design

Edit the module by using edit tool defined in menu Options->Setup->Misc->'Edit tool'. It asks for a directory for storing temporary files.

6.1.10.9 Save Module of the selected design

After editing, the edited modules can be saved into a file.

6.1.10.10 Goto Line Number

6.2 GofTrace

GofTrace is an incremental schematic engine. Users control how to expand the schematic by clicking the input/output pins of gates with mouse-middle-button. Users can adjust the positions of the gates on the schematic any time by mouse-left-button.

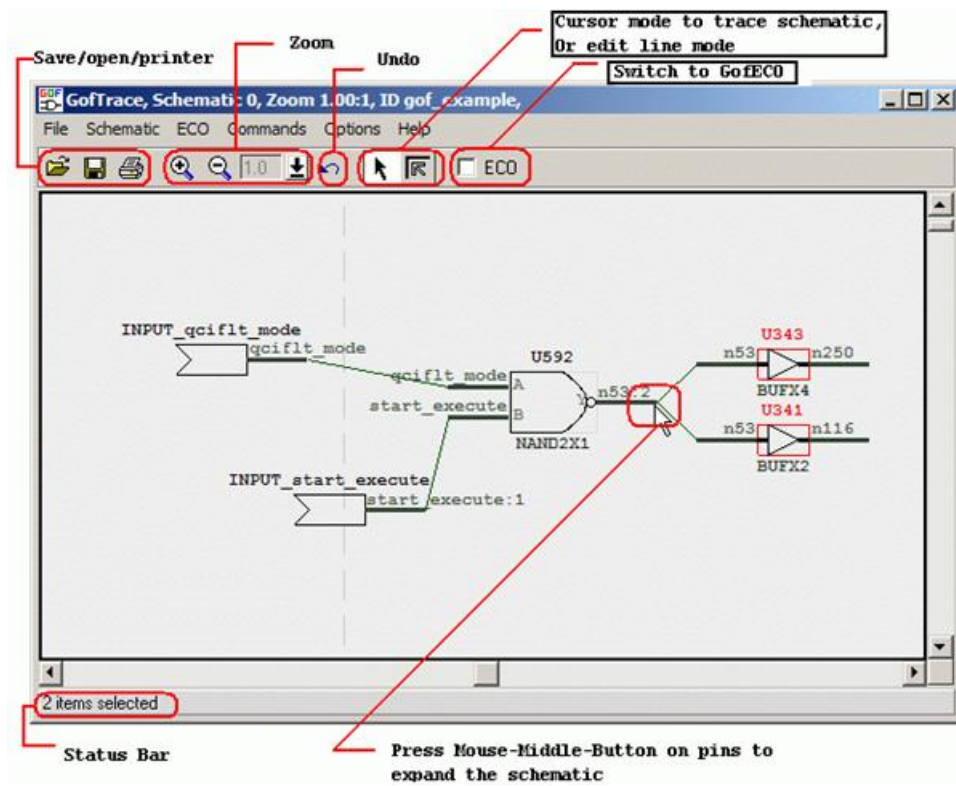


Figure 43: GofTrace Window

6.2.1 Mouse buttons usage

6.2.1.1 Mouse Left Button

Mouse left button is used to select object. Click on any object, it is highlighted to indicated being selected. Press 'ctrl' key and click on objects to select multiple objects. Press mouse left button and move the mouse to select multiple objects at one time.

6.2.1.2 Mouse Middle Button

Mouse middle button is used to trace the schematic. Click on input/output pins to expand the schematic. It used to do drag-drop function as well. In ECO mode, it's used to connect floating input pin to existing nets.

6.2.1.3 Mouse Right Button

Mouse right button is to popup menu.

6.2.2 File Menu

6.2.2.1 Save

Save the schematic to a file for future usage. The saved file has extension '.st' which can only be used by GOF in 'Open' schematic command shown below.

6.2.2.2 Open

Open schematic stored by Save command above.

6.2.2.3 Print

Print schematic to a printer or file. Printer Page Setup window pops up for the print scope setup. In Windows platform, users can select one of the printers configured in the system. In Linux platform, make sure 'lpr' command works.

6.2.2.4 Exit

Exit GofTrace window.

6.2.3 Schematic Menu

6.2.3.1 New Schematic

This command launches a new GofTrace schematic window.

6.2.3.2 List Gate

This command pops up a window for user to enter a string into the entry to find the matching instances. It accepts wildcards in both hierarchy name and instance name. For example, there are four hierarchical instances `u_lane0`, `u_lane1`, `u_lane_2`, `u_lane3`, each instance has spare modules with instance naming `'u_spare*'`, and in each spare module AND gate has instance naming `'*AND*'`. In order to find all spare AND gates, one can enter a string `'u_lane*/u_spare*/*AND*'`.

6.2.3.3 Load Gate

This command pops up a window for user to enter a string into the entry to load the matching instances onto the schematic. Same as 'List Gate' command above, it accepts wildcards. However, the total number of gates drawn on the schematic should not exceed the threshold defined in Menu Options->Setup->Misc->'Gates number limit'.

6.2.3.4 Load Gate Driving Net

This command pops up a window for user to enter a string into the entry as the net name. The tool finds the driver of the net and draw the driver on the schematic.

6.2.3.5 List Selected Instances

Use mouse-left-button to select a bunch of objects (Instances or wires) on the schematic. Click this command to list all the selected instances' full hierarchical names in a pop window.

6.2.3.6 List Selected Wires

Use mouse-left-button to select a bunch of objects (Instances or wires) on the schematic. Click this command to list all the selected wires' full hierarchical names in a pop window.

6.2.3.7 List Selected Modules

Use mouse-left-button to select a bunch of objects (Instances or wires) on the schematic. Click this command to list all the selected gates' module name in a pop window.

6.2.3.8 List Selected Instances Definitions

Use mouse-left-button to select a bunch of objects (Instances or wires) on the schematic. Click this command to list all the selected instances' full definitions in a pop window.

6.2.3.9 List Selected Gates Types

Use mouse-left-button to select a bunch of objects (Instances or wires) on the schematic. Click this command to list logic type numbers of all the selected gates in pop window. For example, 'AND' gate has type 'and', inverter has type 'not'. The pop window can have information such as "Type 'not' has 11".

6.2.3.10 Zoom In



This command can zoom in the schematic view. The maximum zoom in ratio is 100%. Keyboard shortcut for this command is key '+'.

6.2.3.11 Zoom Out

This command can zoom out the schematic view. The minimum zoom out ratio is 13%. Key board shortcut for this command is key '-'.

6.2.3.12 Zoom to

This command can directly select zoom ratio, the valid values are 100%, 67%, 44%, 30%, 20% and 13%.

6.2.3.13 Find Gates on Schematic

This command pops up a window for users to enter a string to find the matching instances on the schematic. It matches portion of the full name. For example, 'U' matches 'U0', 'U1' and 'U222'.

6.2.3.14 Find Nets on Schematic

This command pops up a window for users to enter a string to find the matching wires on the schematic. It matches portion of the full name. For example, 'Net0' matches 'Net0', 'Net011' and 'Net023'.

6.2.3.15 Undo Schematic Operations

This command is to undo schematic operations. Keyboard shortcut is Ctrl-z.

6.2.3.16 Place and Route

This command group is to automatically place the gates on the schematic and automatically route the wires.

- Auto Place and Route

This command is to do both placement and routing automatically.

- Auto Place

This command is to do automatic placement only.

- Auto Route

This command is to do automatic routing only.

- Reset Route

This command is to reset all existing routes, all routed wires become straight.

6.2.3.17 Create PS/PDF File

This command is to create Postscript file or PDF file for the current view of the schematic. In Windows platform, only Postscript is support. On Linux platform both Postscript and PDF are supported.

6.2.4 Commands Menu

6.2.4.1 View Gates in Layout

This command launches layout viewer window. If some gates and wires are selected on the schematic, they are highlighted on the layout viewer. It requires DEF and LEF physical design files to be loaded.

6.2.4.2 Load Layout Files

This command is to load layout physical design files. They include DEF and LEF files. The command can be run several times to load the physical design file one by one. DEF and LEF files can be loaded by command line with -def and -lef options. Or they can be read in by API 'read_def' and 'read_lef' in GofCall script.

6.2.4.3 Launch GofCall Script Interface

This command launches GofCall Script Interface window.

6.2.4.4 Spare Cells

This command group handles spare cells in automatic metal ECO flow.

- Create Spare Cells File

This command creates spare cells file.

- Load Spare Cells File

This command loads the spare cells file created by the command above.

6.2.5 Options Menu

6.2.5.1 Increase Font Size

This command increases the font size on the schematic.

6.2.5.2 Decrease Font Size

This command decreases the font size on the schematic.

6.2.5.3 Show Port

This option makes port name visible.

6.2.5.4 Show Wire

This option makes wire name visible.

6.2.5.5 Show Title

This option makes gate title visible.

6.2.5.6 Show Type

This option makes gate type visible.

6.2.5.7 Show Connections

This option makes wires visible.

6.2.5.8 Show Comment

This option makes comments visible.

6.2.5.9 Dump Waveform Restore File

This command pops up a window to setup simulation waveform restore file. Four waveform restore file formats are supported.

- SimVision Restore File
- ModelSim Restore File
- Verdi Restore File
- GtkWave Restore file

If one or more of the formats are selected, GofViewer and GofTrace pop menus have 'Write Selected Nets to the Waveform Restore File' as the first item, when a net is selected.

6.2.5.10 Save String to Clipboard



This option enables saving string to clipboard when a wire or instance name is clicked by mouse-left-button.

6.2.5.11 Cursor Mode

This is normal mode of the schematic tracing.

6.2.5.12 Line Edit Mode

This mode sets cursor in editing wire connections mode. Press mouse-left-button on the straight wire connection and move, the line is pulled by the cursor until the mouse button is released.

6.2.5.13 Setup

The command pops up configuration window for the tool setup.

6.2.6 Help Menu

6.2.6.1 General

General help information.

6.2.6.2 About

About Gates On the Fly.

6.2.6.3 nandigits.co/gof_manual.php

Visit the website for the manual.

6.2.7 Keyboard Shortcuts

6.2.7.1 Access Menu

Press key 'Alt' and underlined letter in menu.

6.2.7.2 Functions access

- Ctrl-a: Select every object on the schematic
- Ctrl-c: Copy the selected objects
- Ctrl-v: Paste the content in clipboard copied by Ctrl-c
- Ctrl-g: Load instance to schematic
- Ctrl-w: Write to waveform dump restore file
- Ctrl-x: Exit the current window
- Ctrl-digit: Save the selection location as the digit indication, the schematic view moves the current saved location when the digit is pressed later

6.2.8 Selection Status

Click mouse-left-button on the schematic window, the object which can be net, instance under the cursor is highlighted. GofTrace pop menu has different content according to the selection status. Pressing keys Ctrl-a can have all selected on the schematic. Press mouse-left-button on empty space, and don't release, move mouse down to select multiple objects.

6.2.9 GofTrace Pop Menu

Click mouse-right-button on GofTrace schematic, a menu pops up. The content of the menu varies as the selection status on the schematic.

6.2.9.1 Driver Until Non Buffer

Trace driver of an input pin. If the driver is a buffer or invert, the tracing will continue on the input pin of the buffer or invert, until the driver is non-buffer/invert. The feature can be used to trace the clock tree cells of a flop's clock input.

6.2.9.2 Drivers of Logic Cone

Logic Cone is the logic cluster between flops and ports, as shown in the following figure. Users should select the output flop or its pins to do logic cone extraction.

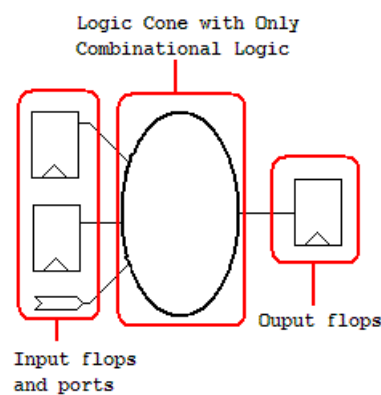


Figure 44: Logic Cone

- On the Schematic
Draw the whole logic cone on the schematic.
- In Text Mode
Display the whole logic cone in a pop up text window.

6.2.9.3 Copy Selected to

This command group does interactions between GofTrace windows and LayoutViewer windows.

- Schematic New
Copy the selected items to a new schematic.
- Schematic Number#
Copy the selected items to an existing schematic identified by ID Number.
- Layout New
Copy the selected items to a new launched LayoutViewer window. The selected circuit is marked on the LayoutViewer window.
- Layout Number#
Copy the selected items to an existing LayoutViewer window identified by ID Number.

6.2.9.4 Trace Scan Chain

When the selected item is a flop or latch, the command item appears in the pop menu. The command is to trace the scan chain starting from this register's scan input pin or data pin. The scan chain list will be displayed on a popup window.

6.2.9.5 Nets Equivalence Check

The command needs Reference Netlist loaded.

- Reference Netlist can be loaded by '-ref' option in command line. For example,
gof -lib tsmc.lib implementation.v -ref reference.v
- Reference Netlist can be loaded by 'read_design' with '-ref' switch in GofCall script. For example,
read_design("-ref", "reference.v");

Use mouse-left-button to select on a pin in implementation netlist and press 'ctrl' key to click mouse-left-button on the other pin in reference netlist. So that one pin in implementation netlist and the other comparing pin in reference netlist are selected at the same time.

Click mouse-right-button to popup menu and select "Equivalence Check for 'neta' vs 'netb'" command.

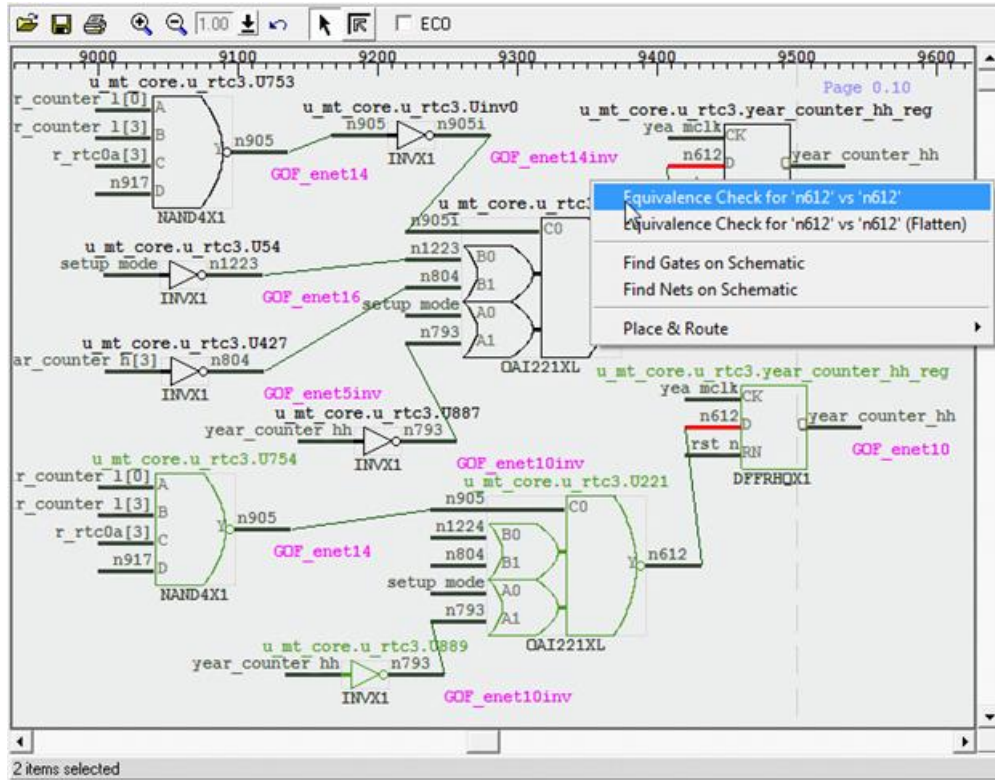


Figure 45: Nets Equivalence Check

When the check is done, a pop window shows if the nets are equivalent.

6.2.9.6 Find Equal Nets of the selected Net

The command only shows up when the selected net is in Top_ref Reference Netlist. To keep all wires in Reference RTL, 'preserve_modules' should be used before bringing up the GUI window. The following script can be used to start the GUI window:

The following script is to preserve RTL wires in 'Find Equal Nets':

```
# GOF script, preserve RTL wires and start up GUI
use strict;
read_library("art.5nm.lib");# Read in standard library
set_define("SYNTHESIS");
set_define("NO_SIM");
set_inc_dirs("/project/nd900/vlib/include", "/project/nd900/IPS/include");
read_rtl('-ref', "ref0.sv", "ref1.sv", "ref2.sv");
read_svf('-imp', 'implementation.svf.txt'); # Optional, must be loaded before read_design, must be in text format
read_design("-imp", "implementation.gv");# Read in Implementation Netlist
set_top("topmod");# Set the top module
preserve_modules("-all"); # Preserve wires in all modules during elaboration and compile
elaborate();
start_gui;
```

6.2.9.7 Add Comments

This command adds comments entered by users on the schematic.

6.2.9.8 Find Gates on Schematic

This command pops up a window for users to enter a string to find the matching instances on the schematic. It matches portion of the full name. For example, 'U' matches 'U0', 'U1' and 'U222'.

6.2.9.9 Find Nets on Schematic

This command pops up a window for users to enter a string to find the matching wires on the schematic. It matches portion of the full name. For example, 'Net0' matches 'Net0', 'Net011' and 'Net023'.

6.2.9.10 Place and Route

This command group is to automatically place the gates on the schematic and automatically route the wires.

- Auto Place and Route
This command is to do both placement and routing automatically.
- Auto Place
This command is to do automatic placement only.
- Auto Route
This command is to do automatic routing only.
- Reset Route
This command is to reset all existing routes, all routed wires become straight.

6.2.9.11 Find selected in GofViewer

This command finds the selected instance back in GofViewer netlist window, and highlights the instance in the netlist window.

6.2.9.12 Edit Gate Display

This command pops up a window for users to add or change comments associated with the gate and change the color of the gate.

6.2.9.13 List Logic for the Selected Leaf Cell

This command pops up a text window to list the logic of the selected leaf cell.

6.2.9.14 List Context for the Selected Leaf Cell

This command pops up a text window to list the library content of the selected leaf cell. The content includes the cell's pin definitions, area and timing.

6.2.9.15 List Definition for the Selected Instance

This command pops up a text window to list the instantiation of the selected instance.

6.2.9.16 Load Instance Similar to the Selected Instance

This command pops up an entry window with the current selected instance name pasted in the entry. So that user can do simple change to load other similar naming style instance onto the schematic.

6.2.9.17 Equivalent Symbol

This command changes the selected gate symbol display to the equivalent symbol according to DeMorgan's Laws. For example, NAND symbol is equivalent to Inputs Inverted OR symbol.

6.2.9.18 Delete

This command deletes the selected objects on the schematic. The object can be gates, wires and comments.

6.3 GUI GofECO

GofECO GUI uses the same window as GofTrace by enable ECO mode. The background color changes to light blue by default. The color can be configured by Menu Setup->GofECO->Color->BackGround. The ECO operation icons appear on the tool bar. GofECO uses the same menus GofTrace uses, besides the contents in ECO menu being activated.

Click Menu ECO->'Enable ECO' or Check ECO button to enable ECO mode. GofTrace becomes GofECO

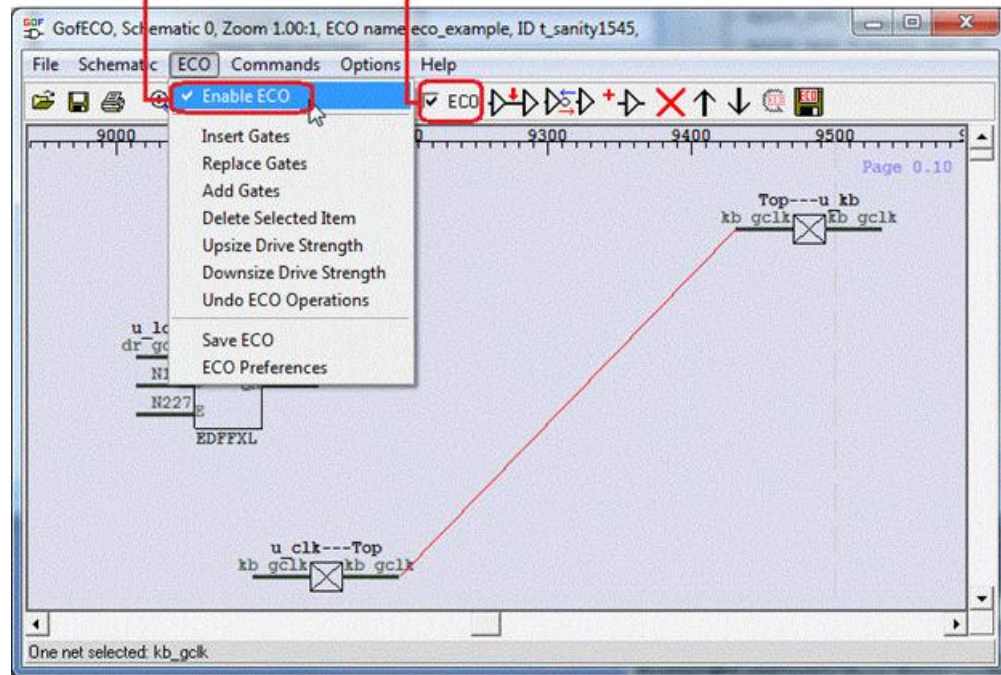
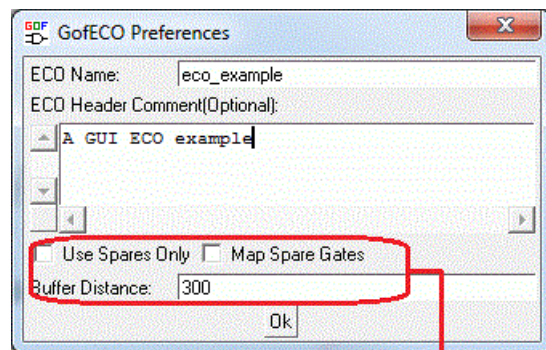


Figure 46: GofECO Window

6.3.1 ECO Menu

6.3.1.1 Enable ECO and ECO Preferences

This option enable ECO mode, GofTrace switches to GofECO. A pop up window appears for inputting ECO setups.



Metal ECO related options

Figure 47: ECO Preferences

- ECO Name should be unique, so that name confliction can be avoided
- ECO Header Comment is optional, which appears at the beginning of ECO netlist file
- Checkbuttons 'Use Spares Only' and 'Map Spare gates' and 'Buffer Distance' entry are for Metal Only ECO. Their usages are:
- Use Spares Only' is to use spare type gates only, a spare gate list file must be loaded with this option enabled.
- Map Spare Gates' is to let the tool mapping any type gates to either the spare type gates or the exact spare instances in the design.
- Buffer Distance' entry is to tell the tool add buffers/repeaters when the connection distance is larger than the limit. Inputting a large number can disable adding buffers. The corresponding script command is 'set_buffer_distance'.

6.3.1.2 Insert Gates

This command inserts gates in the selected wires. It requires one or more wires being selected on the schematic, before inserting gates. A 'Gate selection' window pops up for users to select proper type of gates and gate number. When multiple wires are selected and some wires have the same drivers, users can choose either one gate driving all shared wires or one gate driving each wire. Users are asked to choose the pin connections in 'Specify pin connections' window. The default pin connections setup can be used and users can modify the connections later on the schematic. Read this PDF use case for more detail.

[gof_insert_buffers_inverters.pdf](#)

6.3.1.3 Replace Gates

This command replaces the selected gates with a different type of gates. It requires one or more gates being selected on the schematic. If two or more than two gates are selected, they should have the same type. A 'Gate selection' window pops up for users to select proper type of gates to replace the selected ones. Users are asked to choose the pins connections in 'Specify pin connections' window. The default pin connections setup can be used and users can modify the connections later on the schematic.

6.3.1.4 Add Gates

This command adds new ECO gates on the schematic. A 'Gate selection' window pops up for users to select proper type of gate to add onto the schematic. The new ECO gates appear as output driving a new net and input floating. The hierarchy of the gate is undefined. When users connect one of the input pins to another existing gate or connect other gate's floating input to the ECO gate's output pin, the ECO gate gets the same hierarchy as the other gate. Read [Add Connection](#) for more detail.

6.3.1.5 Delete Selected Items

This command deletes the selected items. Users would be warned for deleting multiply objects at the same time.

6.3.1.6 Upsize Drive Strength

This command upsizes the selected gate to a higher drive strength gate with the same type. If there is no higher drive

strength gate available, users would be warned with a pop up information window.

6.3.1.7 Downsize Drive Strength

This command downsizes the select gate to a lower drive strength gate with the same type. If there is no lower drive strength gate available, users would be warned with a pop up information window.

6.3.1.8 Undo ECO Operations

This command undoes the previous ECO operation, until no more ECO operation is in the pipeline.

6.3.1.9 Add Connection

There is no operation button/icon for Add Connection operation. Adding connection can only be done from a floating input pin to a output pin. User can press mouse-middle-button on a floating input pin, and don't release the mouse. Then move mouse to the destination output pin of the instance that user would like the wire connected to, release the button to make the connection to be created.

6.3.1.10 Save ECO

This command saves ECO result to a file. The supported file formats:

- Verilog netlist
- GofCall Perl Script
- SOC Encounter ECO script
- Tcl script for Synopsys
- DC script for Synopsys

6.3.2 Metal Only ECO

Metal ECO only touches metal layers. Gates On the Fly provides four Metal Only ECO modes by combinations of setting up the options in [ECO_preference](#) and loading DEF file.

6.3.2.1 Metal ECO, mode 1

User can add any type of gates and let the tool map to the spare type gates, Place and Route tool should map the spare type gates to the exact spare gate instances.

The setup for this mode:

- Spare gate list file should be created and loaded.
- DEF file should NOT be loaded.
- 'Use Spares Only' is NOT checked.
- 'Map Spare Gates' is checked.

6.3.2.2 Metal ECO, mode 2

User can add any type of gates and let the tool map to the exact physically existing spare gate instances.

The setup for this mode:

- Spare gate list file should be created and loaded.
- DEF file should be loaded.
- 'Use Spares Only' is NOT checked.
- 'Map Spare Gates' is checked.

6.3.2.3 Metal ECO, mode 3

User can add only spare type gates and let the tool map to the exact spare gate instances.

The setup for this mode:

- Spare gate list file should be created and loaded.
- DEF file should be loaded.
- 'Use Spares Only' is checked.
- 'Map Spare Gates' is checked.

6.3.2.4 Metal ECO, mode 4

User can pick the exact spare gate instances, and connect and disconnect up the instances in ECO.

The setup for this mode:

- Spare gate list file has no need to be created and loaded.
- DEF file should be loaded.
- 'Use Spares Only' is NOT checked.
- 'Map Spare Gates' is NOT checked.

6.4 LayoutViewer

LayoutViewer window displays partial physical placements. The circuit drawn on the schematic can be highlighted on LayoutViewer. It has full interactivity with GofTrace. It requires physical design files including DEF and LEF files to be loaded.

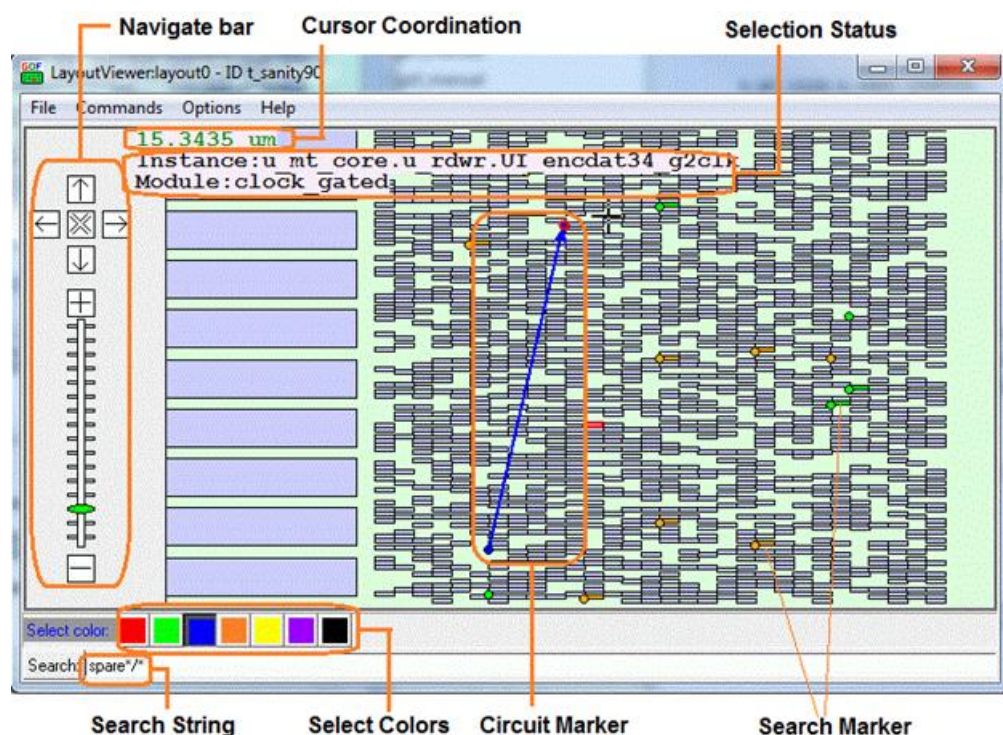


Figure 48: LayoutViewer Window

6.4.1 File Menu

6.4.1.1 Capture in PDF

This command captures the current LayoutViewer display to PDF file. PDF is only supported in Linux Platform. In Windows



Platform, the captured display is saved in PostScript format.

6.4.1.2 Exit

Exit LayoutViewer.

6.4.2 Commands Menu

6.4.2.1 Clear Circuit Markers

Clear circuit markers which can be created by Drag-And-Drop from GofTrace Partial Schematic.

6.4.2.2 Clear Search Markers

Clear search markers which are those highlighted cells matching the searching string in search entry.

6.4.2.3 New Schematic

When cells or markers are selected in LayoutViewer, this command can launch a schematic with selected instances on it.

6.4.3 OptionsMenu

6.4.3.1 Show Grid

This option shows grid on LayoutViewer.

6.4.3.2 Show Instance

This option shows instance name on LayoutViewer. Zoom in scale should be large enough to show instance names.

6.4.3.3 Show Module

This option shows module name on LayoutViewer. Zoom in scale should be large enough to show module names.

6.4.3.4 Setup

LayoutViewer setups which include maximum search matching number and placement display zone area size.

6.4.4 Help Menu

6.4.4.1 Help on LayoutViewer

Visit NanDigits web site for Gates On the Fly manual section LayoutViewer.

6.4.5 LayoutViewer Pop Menu

Click mouse-right-button to pop up the menu.

6.4.5.1 Clear Circuit Markers

Clear circuit markers which can be created by Drag-And-Drop from GofTrace Partial Schematic .

6.4.5.2 Clear Searching Markers

This command clears searching markers which were activated by search function.

6.4.5.3 Copy Selected to

This command copies the selected gates to the following destination:

- Back to GofViewer
- A new Schematic
- An existing Schematic identified by Number ID

6.4.6 Keyboard and mouse combination

6.4.6.1 Ctrl key to measure length

Press 'Ctrl' key and move mouse, the Cursor Coordination displays the length cursor moves in unit of 'um'.

6.4.6.2 Shift key to select multiple markers

Press 'Shift' key and press mouse-left-button, move mouse to draw a virtual rectangle. When release the mouse-left-button, those markers in the virtual rectangle are all highlighted. Click mouse-right-button to pop menu, those selected instances can be sent to other schematics or GofViewer the netlist view window by 'Copy Selected to' command.

6.4.7 Mouse operations

- Mouse-middle-wheel: Roll up to zoom in and roll down to zoom out the LayoutViewer window.
- Mouse-left-button: Click and release to select cells or markers. Press on LayoutViewer window to move it around.
- Mouse-middle-button: Drag-And-Drop selected instances.
- Mouse-right-button: Release to pop up menu.

6.4.8 Select color buttons

Click color buttons in 'Select color:' bar to select the current color. 'Select Color:' string changes to the current selected color. Any new Circuit Markers and Search Markers have this color.

6.4.9 Search function

Type search string in Search Entry to highlight the leaf instances matching the string on the LayoutViewer. The search string is in 'path/instance' string format, separated by '/'. Wildcard can be used in path and instance names. The markers have the color selected in 'Select color' bar.

The search string takes these options:

- -spare: When spare gate list is loaded by -sparelist option or get_spare_cells command.
- -type type-name: Only search those instances with specified type, 'nand' for example.
- -hier: Search all leaf instances under the specified hierarchy. For example, 'u_clk/* -hier'.
- -ref ref-name: Only search those instances with specified reference, 'NAND2X2' for example.

Examples:

```
'u_rtc/*' : Search leaf instances in hierarchy 'u_rtc'.
'* -hier -type nand': Search all leaf instances with 'nand' type in the design.
'u_clk/* -hier': Search all leaf in hierarchy 'u_clk' and its sub-hierarchies.
```

7 Appendix A

7.1 APIs Detail Usage

add_mapped_instance

Add mapped instance pair between REF and IMP

Usage: add_mapped_instance(\$ref_instance, \$imp_instance);

Examples:

```
add_mapped_instance("u_subtop/u_def/state_reg", "u_subtop/uinst_def/state_reg");
```



buffer

ECO command. Buffer high fanout ECO nets

Usage: `buffer($net_names, $buffer_name, $fanout);`

\$net_names: Net names to be buffered. Use "," to separate multiple nets, like "ecol_net1,reset2"

\$buffer_name: The buffer module name from library, leave it blank to let the tool pick one.

It supports repeater case by ",", for example, "INVX1,INVX16" would have 'INVX1' drives 'INVX16' and 'INVX16' drives the fanouts.

\$fanout: How many fanout to insert a buffer.

Examples:

```
#1. For every 10 fanout of test_mode, add a buffer, BUF6
buffer("test_mode", "BUF6", 10);
```

```
#2. For every 10 fanout of 'clock', add repeaters, INVX2,INVX16
buffer("clock", "INVX2,INVX16", 10);
```

```
#3. Let the tool pick a buffer
buffer("clock", "", 10);
```

change_gate

ECO command. Modify an instance in ECO

Two types of usages

Usage1: `change_gate($instance, $new_reference, $pin_mapping);`

\$instance: The instance under ECO. Support hierarchical name, "u_abc/U123"

\$new_reference: The new reference name which the instance changes to, E.G. 'AND3X1'.

If no reference is present, the ECO operation is assumed to change the instance's pin connections.

\$pin_mapping: Input pins mapping, ".new(old)", E.G. ".A1(A),.B1(B)"

if two references have same input pins. The option can be empty

Usage2: `change_gate($instance, $pin_connections);`

\$pin_connections: New pin connections, ".A(n242)".

The unspecified pins keeps the original connection.

E.G. pin 'B' connection is unchanged.

Examples:

```
#1. U123 has reference OR3X1 with input pins, A,B,C originally
# change U123 to AND3X1, all input pins are the same.
change_gate('U123', 'AND3X1', "");
```

```
#2. A and B keep the connections, discard C
change_gate('U123', 'AND2X1', "");
```

```
#3. A keeps the connections, B connects to what the old C connects. And discard old B
change_gate('U123', 'AND2X1', ".B(C)");
```

```
#4. A,B,C keep the same, and new D pin connects to net n123
change_gate('U123', 'AND4X1', ".D(n123)");
```

```
#5. AO21X1 has input pins, A0, A1 and B0
change_gate('U123', 'AO21X1', ".A0(A),.A1(B),.B0(C)");
```

```
#6. change U123 A to n123, B to n124, keep C connection.
change_gate("U123", ".A(n123),.B(n124)");
```

```
#7. Rotating A/B/C connections.
change_gate("U123", ".A(B),.B(C),.C(A)");
```

change_net

ECO command. Change a existing net's driver

Usage: `change_net($net, $gate, $instance, $connections);`

\$net: The net to be ECOed

\$gate: New leaf gate to drive the net

\$instance: The instance name of the new gate. Optional, if it is empty, assigned by the tool

\$connections: The new gate input pins connections. If it is empty, the gate is inserted in the net

- Supported formats, 1. Very detail ".A(net0),.B(net1),.C(net2)"
2. Connect to the pins in alphabetical sequence
"net1,net0,net2" indicating A->net1,B->net0,C->net2
 3. Other instance/pin "U408/Y,U409/Y,net2" indicating A->U408/Y,B->U409/Y,C->net2
 4. Special character '-' is used to connect up the original connection

Examples:

```
#1. Drive n123 with BUF6 driven by n40
change_net("n123", "BUF6", "", "n40");
```

```
#2. Drive n123 with AND2X2 driven by n40 and original n123 driver
change_net("n123", "AND2X2", "", "-,n40");
```

```
#3. Insert a buffer into n123
change_net("n123", "BUF6");
```

change_pin

ECO command. Modify pin connection of instances by inserting gates, changing connection to other signal

Two types of usages.

Usage1: `change_pin($pin_name, $net);`

Change pin's connection to a net

\$pin_name: In the format of "instance/pin", can be more than one pins separated by ",",

"instance1/pinA,instance2/pinB", E.G. "U123/A", "U123/A,U345/B"

Hierarchical naming style is supported as well, "u_abc/U123/A"

The pins have to be input in this mode.

\$net: The net name the pin connects to.

Hierarchical naming style is supported, "u_abc/net123"

When the pin and the net are in different hierarchies, ports are added automatically

E.G.

The tool creates 4 ports across the hierarchies to connect the net to the pin.

```
change_pin("u_abc/u_cde/U200/A", "u_xyz/u_stv/net300");
```

The tool gets the net tie to Y pin of U300 and do the the same as the previous example.

```
change_pin("u_abc/u_cde/U200/A", "u_xyz/u_stv/U300/Y");
```

Usage2: `my $inst = change_pin($pin_name, $leaf_cell, $new_instance, $connection);`

Insert a new leaf cell to drive the pin

\$inst: Return new instance name if new gate is created in the command.

\$pin_name: In the format of "instance/pin", E.G. U123/A Hierarchical naming is supported, u_abc/U123/A

The pin can be output in this mode. The tool gets the net the pin drives,

and change the command to

```
change_net($thenet, $leaf_cell, $new_instance, $connection);
```

\$leaf_cell: The leaf cell name to drive the \$pin_name

\$new_instance: The instance name for the new inserted leaf cell.

The option is optional, the tool assigns one if it's empty

If use '.', the instance is added to the same hierarchy as the \$pin_name

\$connection: The pins connection for the new cell.

Supported formats, 1. Detail format: ".A(net0),.B(net1),.C(net2)"

2. Simple format: Connect to the pins in alphabetical sequence "net1,net0,net2"

3. Mixed format: "u_abc/U123/Y,.B(net1),net2"



4. Special character '-' is used to connect up the original connection
5. Advanced nesting format:
change_pin("U189/A", "AOI21X2", "", "U190/Y,,BUF6(BUF6(BUF6(n412)))");

Note: All strings should be quoted by ' or " to avoid syntax error or undesired effects.

Examples:

```
#1. U123 has input pins A,B,C, U234 has input pins A0,A1,B
# Change A pin of U123 to net12345
change_pin("U123/A", "net12345");

#2. Change A pin of U123 to $net which is defined in the ECO script.
change_pin("U123/B", $net);

#3. Change A pin of U123 to net12345
change_pin("U123/A,U234/B", "net12345");

#4. Insert "NAND2X2 ecol2345_U0(.A(net1234),.B(net5678));"
# to drive U123/A
change_pin("U123/A", "NAND2X2", "ecol2345_U0", "net1234,net5678");

#5. Same as above, with more detail of pin connections
change_pin("U123/A", "NAND2X2", "ecol2345_U0", ".A(net1234),.B(net5678)");

#6. Insert a buffer to U123 A pin
change_pin("U123/A", "BUF4", "", "-");

#7. Insert NAND2X1 to drive CK pin and new A connects to the original net
change_pin("abc_reg_1/CK", "NAND2X1", "", ".A(-),.B(1'b1)");

#8. Do hierarchical connection
change_pin("u_abc/u_cde/U200/A", "u_xyz/u_stv/U300/Y");

#9. Nested connection
change_pin("qcif/num2/u_spare1/B", "AOI21X2", "eco_inst_on_top1", \
"NAND2X2(gte_344/u_smod/U100/Y, gte_344/n114), gte_343/U111, BUF6(BUF6(n105))");
```

change_port

ECO command. Change an output port's driver, or add gate after input port

Usage1: change_port(\$port, \$gate, \$instance, \$connections);
 \$port: The port under ECO, can be input port or output port
 \$gate: New leaf gate to drive the port if the port is output
 Or add the gate after input port
 \$instance: The instance name for the new leaf cell, optional, the tool assigns one if it's empty
 \$connections: The new gate input pins connections. If it is empty, the gate is inserted in the net
 Supported formats, 1. Very detail ".A(net0),.B(net1),.C(net2)"
 2. Connect to the pins in alphabetical sequence
 "net1,net0,net2" indicating A->net1,B->net0,C->net2
 3. Other instance/pin "U408/Y,U409/Y,net2" indicating A->U408/Y,B->U409/Y,C->net2
 4. Special character '-' is used to connect up the original connection

Usage2: change_port(\$port, \$inst_pin);
 \$port: The port under ECO, output port
 \$inst_pin: In the format of 'u1234/Y', instance-name/pin-name

Note: The difference of change_net and change_port command
 change_net changes all drains of the net.
 change_port changes only the port driver.

Examples:

```
#1. Add buffer to output port 'out1'
change_port("out1", "BUF1", "eco_buf0", "-");
```

check_design

Check if the netlist status, searching for unresolved modules, floating and multi-drivers

Usage: check_design(@options);
 @options:
 -ignore list: Ignore the issues matching the list, E.G. 'FE_UNCONNECT*,SCAN_*'.
 -eco: Only check instances/wires having been done ECO. Default check all instances/wires
 -fixfile filename: Create ECO fix file
 -nouniquify: Dont check unquify

Examples:

```
check_design;
check_design('-ignore', 'FE_UNCONNECT*');
check_design('-ignore', 'FE_UNCONNECT*,SCAN_*');
check_design('-ignore', 'W-108');
check_design("-eco");
```

compare

Logic equivalence check on output port and register input pins

Usage: my \$no_eq_num = compare(@nets, @options);
 @options:
 -help: Print this info
 \$no_eq_num: Return back non-equivalent number

Examples:

```
#1. Check if output port 'state_out' is equivalent in IMP/REF netlists
compare("state_out");

#2. Check two points at the same time.
Check if 'state_reg_0/D' is equivalent in IMP/REF netlists
And check if 'state_reg_1/D' are equivalent in IMP/REF netlists
compare("state_reg_0/D", "state_reg_1/D");
```

compare_nets

Check equivalence of two nets in the reference and implementation netlist

Usage: my \$result = compare_nets(\$net0, \$net1, @options);
 \$net0: The net in the reference netlist.
 \$net1: The net in the implementation netlist.
 @options:
 \$result: 1, they are equal,
 0, they are not equal.

Examples:

```
#1 Compare reg1/D in the reference and reg1/D in the implementation netlist
compare_nets("reg1/D", "reg1/D");
```

convert_gated_clocks

ECO command. Convert gated clocks to MUX logic.



In metal ECO, if gated clock cell is not in spare gate list, this command should run before map_spare_cells

Usage: my \$cnt = convert_gated_clocks();
\$cnt: The number of gated clock cells having been converted

create_clock

Timing command and GOF Formal command. Create clock for fault verification

Usage: create_clock(\$clock_name, \$clock_period);
\$clock_name: Clock name, input port name or black box instance output pin
\$clock_period: Clock period

Note: This command can be used multiple times. The clock period is recommended to be multiples of 2

Examples:

```
#1. Create clock on PIN_SPI_CLK, period 4ns
create_clock("PIN_SPI_CLK", 4);

#2. Create clock on PIN_APB_CLK and PLL clk_out
create_clock("PIN_APB_CLK", 2);
create_clock("u_pll_top/u_pll_core/clk_out", 2);
```

create_pin_mapping_json_file

Create pin mapping file between original synthesis netlist and pre-ECO netlist

Usage: create_pin_mapping_json_file(\$filename);
\$filename: JSON file name

create_reset

Create reset for the design

Usage: create_reset(\$reset_name, \$active_level);
\$reset_name: Reset name, input port name or black box instance output pin
\$active_level: The level that the reset is active

Examples:

```
#1. Create reset on PIN_RESETN, active low
create_reset("PIN_RESETN", 0);

#2. Create reset on PIN_RESET, active high
create_reset("PIN_RESET", 1);
```

current_design

Set the current top level module

Usage: current_design(\$module);
\$module: Set \$module as the current top level module.
If the argument is missing, return the current setting
"." set to parent module, "~" set to the most top level module

Note: It can be reset to the root top module by 'undo_eco'. It is alias command of 'set_top'

current_instance

Set the current instance, alias of 'set_inst'

Usage: current_instance(\$instance);
\$instance: Set \$instance as the current instance.
If the argument is missing, return the current setting
"." set to parent module, "~" set to the most top level module

Note: It can be reset to the root top module by 'undo_eco'. It has same effect of 'set_top' and 'current_design'

del_gate

ECO command. Delete gate

Usage: del_gate(\$inst);
\$inst: The instance to be deleted.

del_net

ECO command. Delete net

Usage: del_net(\$net);
\$net: The net to be deleted.

del_port

ECO command. Delete port

Usage: del_port(\$port);
\$port: The port to be deleted.

dft_drc

DFT DRC checker

Usage: my \$error = dft_drc(@options);
\$error: DRC errors in the checker
@options:
-single: One clock for each scan chain
-glitch: Check reset/set pin glitch

Examples:

```
#1. Run full DFT DRC
dft_drc;
#2. One clock for each scan chain in DRC
dft_drc("-single");
#3. Check reset/set pin glitch
dft_drc("-glitch");
```

elab_rtl

Elaborate on RTL design

Usage: elab_rtl();

elaborate

Elaborate and compile RTL files

Usage: elaborate();

exist_inst

Check if an instance exists

Usage: my \$ret = exist_inst(\$inst);
\$inst: The instance for checking
\$ret: 1, the instance exists 0, the instance does not exist

exist_wire



Check if a wire exists
Usage: my \$ret = exist_wire(\$wire);
 \$wire: The wire name for checking
 \$ret: 1: exists 0: not exist

find_equal_nets

Find equivalent nets in IMP for the listed nets in REF, the results are printed out on the screen

Usage: find_equal_nets(@ref_nets);
 options: ("help", "full=i")
 -help: Print this info

Examples:

#1. Find IMP equal nets for 'mbist_done', 'sync_start' in REF
 find_equal_nets('mbist_done', 'sync_start');

fix_design

ECO command to fix the design in automatic ECO

Usage: fix_design(@options);
 @options:
 -help: Print this information
 -opt_set optimization_set: Patch optimization set, 0: area/timing 1: cell count, default 0
 -no_patch_opt: Disable patch optimization. Also see API set_no_patch_opt
 -flatten: Enable flatten mode ECO. The default mode is hierarchical
 -list_file the_list_file: The ECO point list file converted from RTL-to-RTL LEC result
 The list file format:
 inst u_def/u_sdef/state_reg_1_
 pin u_control/u_sreg/u_mem_128x24/A[0]
 port PORT_READY_OUT
 -iteration iteration_number: Fix design iteration by default 3 times.
 The tool repeats the fix process until there is no non-equivalent points or iteration number reached

Examples:

#1. Fix design on module 'VIDEO_TOP' and its sub-modules
 set_top('VIDEO_TOP');
 set_ignore_output("TEST_SO*");
 set_pin_constant("TEST_EN", 0);
 fix_design;
 save_session("this_eco");
 my \$error = LEC;

#2. Do ECO in flatten mode
 fix_design("-flatten");

#3. Do ECO on points listed in the file
 fix_design("-list_file", \$list_file);

fix_logic

ECO command. Fix listed points

Usage: fix_logic(@pin_port_list,@options);
 @options:
 -force: Force the tool to replace the logic cone of the points in @pin_port_list
 @pin_port_list:
 List of the pins or ports whose logic will be fixed by the reference logic in Reference Netlist
 The format is "sic_cnt_reg_0/D", "sic_cnt_reg_1/D", "\bbr_ccd_reg[0] /D", "out_port"
 '\ ' should be kept if the instance has '\ ' as prefix.
 E.G. '\bbr_ccd_reg[0] ' instance has '\ ' and last space in the name.

Examples:

#1. Fix state_regs's D inputs
 fix_logic("state_reg_0/D", "state_reg_1/D");

#2. Fix state_regs's D inputs and one output port
 fix_logic("state_reg_0/D", "state_reg_1/D", "out_port");

#3. Add one new flop, input pins have the same connections as the Reference Netlist
 # and the output is floating, -recover option sets to 0
 fix_logic('new_flop_reg/D', 'new_flop_reg/CK', 'new_flop_reg/RB');

flatten_modules

Flatten hierarchical modules in reference netlist

Usage: flatten_modules(@module_names);
 @module_names: List of modules to be flatten

Examples:

flatten_modules("retime_1", "sync_cell_0");

get_cell_cofactors

Get combinational cell pin Shannon expansion cofactors

Usage: @cofactors = get_cell_cofactors(\$cell, \$pin);
 \$cell: Leaf cell name
 \$pin: Input pin name
 @cofactors: Shannon cofactors for the pin of the cell
 It has two items if the cell is combinational
 It is empty if the cell is sequential or black-box

Examples:

#1. NAND2X1 A pin
 @ret = get_cell_cofactors("NAND2X1", "A"); # @ret = (1, B);
 #2. AOI222X1 A0 pin
 @ret = get_cell_cofactors("AOI222X1", "A0");
 returned @ret = ("!(A1*(B0*(C0+C1)+!B0*(B1*(C0+C1))))", "!(B0*(C0+C1)+!B0*(B1*(C0+C1)))");

get_cell_info

Get information of a module or instance

Usage: \$data = get_cell_info(\$module_or_inst, @options);
 \$module_or_inst: The module or instance's name
 @options:
 -help: Print this information
 -conns: Get Connections of the item, only when it's instance
 -type: Get the item's type information. It can be 'ff', 'cg', 'latch', 'buf',
 run 'get_lib_cells -type_info' for all existing type in the current libraries
 An array is returned if this option is present
 -libname: Get the library name that the cell is in
 -area: Get the area of the item
 -size: Get the size of the item
 -fun: Get the function string of the item
 -leakage: Get the leakage of the item
 -ref: Same as 'get_ref instance' if the item property is instance
 -context: Get detail library information



```

-attribute attribute_name: Check if the cell has the attribute set. 0 or 1 is returned
$ata: Returned data, if '-attribute' option is present, $ata is 0 or 1
In option is '-conns' case,
It is a hash having the following data structure
my $module = $hash->(module);
my $instance: $hash->(instance);
foreach my $port (keys %{$hash->(connections)}){
    my $net = $hash->(connections){$port};
}

```

If no option is present, it return the item's property:
leaf_instance leaf_module hierarchical_instance hierarchical_module

Examples:

```

#1. Get area of one leaf cell
my $area = get_cell_info("AND2X2", "-area");

#2. Get an attribute of one leaf cell
my $is_iso = get_cell_info("ISOX2", "-attribute", "is_isolation_cell");

```

get_cells

Get all cells in the current module or sub-modules

Usage: my @cells = get_cells(\$pattern, @options);
\$pattern: The pattern matching instance name, '*', 'U*', 'U123' or '/UI_.*_./'
It can have path, 'u_clk/*', 'u_abc/u_def/*'

@options:

```

-help: Print this information
-hier: Or -h, do the command hierarchically
-ref ref_pattern: Get cells that has reference matching ref_pattern, E.G. -ref OAI*
-type type_pattern: Type_pattern can be 'ff','latch','itiming','cg','not','rom','ram' ...
                    run 'get_lib_cells -type_info' for all existing type in the current libraries
-type_match type_pattern: Get cells that have one of the types matches the type_pattern
-leaf: Only leaf cells
-new: Only new created ECO instances
-verbose: To print out reference with instance
-dotpath: Path delimit is '.' instead of '/'
-nobackslash: Remove backslash
-nonscan: Flops/sync-cells not in scan chain including those scan pins tied off
@cells: Returned array with all instances matched

```

Examples:

```

#1. Get all instances in the current module
my @cells = get_cells('*');

#2. Get all instances in the current module
my @cells = get_cells();

#3. Get all instances matching 'U234*' in the current module
my @cells = get_cells('U234*');

#4. Regular expression. Get all instances starting with U and followed by
#    two characters, like U10, U99
my @cells = get_cells('/U../');

#5. Get all instances matching *reg_* hierarchically
my @cells = get_cells('*reg_*', '-hier');

#6. Get all instances hierarchically and having reference matching DFF*
my @cells = get_cells('*', '-hier', '-ref', 'DFF*');

#7. Get all instances in 'u_kb'
my @cells = get_cells('u_kb/*');

#8. Get all flops, sync-cells not in scan chain
my @cells = get_cells('-hier', '-nonscan');

```

get_conns

Get connections of net or pin in the top level module, return the leafs and the hierarchical connections

Usage: @result = get_conns(\$net_or_pin, @options);
\$net_or_pin: The net name or pin name that needs to get connections.

@options:

```

-driver: Return driver only
-load: Return load only
-count: Return connections count
@result: a two dimension array
        instance, port_name, pin_or_port, load_or_driver, is_it_a_leaf,
@result = ([instance_0, pin_0, 'pin', 'load', 1],
        ...
        )

```

Examples:

```

#1. Net 'n599' has three connections, instance 'U198' is the driver
get_conns("n599");
gte_344 A[14] pin load 0
U198 Y pin driver 1
U94 AN pin load 1

#2. Net 'qcfhbeat' has three connections, it is output port of the current top level module
get_conns("qcfhbeat")
qcfhbeat port load
U80 A pin load 1
qcfhbeat_reg Q pin driver 1

#3. The argument in inst/pin format
get_conns("U187/A")
U294 A1 pin load 1
U187 A pin load 1
U80 Y pin driver 1

#4. Return connections count
get_conns("U187/A", "-count");
3

```

get_coord

Get an instance's coordination

Usage: my (\$x, \$y) = get_coord(\$instance);
\$instance: Instance name

Examples:

```

my ($x, $y) = get_coord("xbar/U1234");
# $x=100, $y=200 in um

```

get_definition



Get instantiation of instance
Usage: my \$line = get_definition(\$inst);
 \$inst: Instance name.
 \$line: The instantiating line

Examples:

```
get_definition('U78');
Returns "AND2X1 U78(.A(n1), .B(n2), .Z(n3));"
```

get_driver

Get the driver of a net or pin

Usage: @driver = get_driver(\$point, @options);
 \$point: net name or pin name, 'n12345' or 'U12345/A1'
 @options:

-pin: Return in "inst/pin" format, E.G. "state_reg/Q"
 Return an array if '-pin' is not present
 -nonbuf: Trace the drivers until none buffer
 @driver: The driver in array format, if '-pin' is not present.
 If the point is floating, @driver is empty,
 \$driver[0]: Driver instance name. It is empty if the driver is port
 \$driver[1]: Driver pin or port name. If the driver is a port, it is the port name
 \$driver[2]: Driver type. It is string "pin" or "port" depending on the driver is port or leaf cell
 \$driver[3]: Driver phase. It is valid when -nonbuf is present,
 indicating if the driver path is inverted
 0: not inverted 1: inverted

Note:

1. If '-pin' is present, return a scalar, \$driver = get_driver("n12345", "-pin");
2. Use 'get_drivers' if there are multiple drivers, the return data has different structure

Examples:

```
#1. Get driver of a net
@driver = get_driver("net12345");
@driver has content of ("U1247", "Y", "pin");

#2. port_abc is input port
@driver = get_driver("port_abc");
@driver has content of ("", "port_abc", "port");

#3. Return in instance/pin format
$driver = get_driver("net12345", "-pin");
$driver has content of "U1247/Y"
```

get_drivers

Get the drivers of a net or pin

Usage: @drivers = get_drivers(\$point, @options);
 \$point: net name or pin name, 'n12345' or 'U12345/A1'
 @options:

-nonbuf: Trace the drivers until none buffer
 -fanend: Fanin endpoints, flops or input ports or backbox outputs
 @drivers: An array of the drivers, if the point is floating, @drivers is empty,
 if the point has multi-drivers, @drivers has more than one items.
 For each item in @drivers
 Index 0: instance, it is empty if the driver is port
 Index 1: pin or port, if the driver is port, return port
 Index 2: string "pin" or "port" depending on the driver is port or leaf cell
 Index 3: indicating drive path inverted or not
 If 'nonbuf' is present, the last item in @drivers is the non-buffer driver
 So '\$nonbuf = pop @drivers' can get the non-buffer driver

Note:

Use 'get_driver' instead if the net has only one driver and 'nonbuf' option is not used

Examples:

```
#1. Get drivers of a net
@drivers = get_drivers("net12345");
@drivers has content of (["U1247", "Y", "pin"]);

#2. 'port_abc' is input port
@drivers = get_drivers("port_abc");
@drivers has content of (["", "port_abc", "port"]);

#3. Buffers in the path
@drivers = get_drivers("state_reg/CK", "-nonbuf");
@drivers has content of
(
  ["buf_inst0", "Y", "pin"],
  ["inv_inst1", "Y", "pin"],
  ["and_inst2", "Y", "pin"]
)

#4. Fanin endpoints
@drivers = get_drivers("u_abc/state_reg/D", "-fanend");
@drivers has content of
(
  ["u_abc/csg_valid_reg", "Q", "flop"],
  ["pin_in_cs_start", "GOF_PIN_OUT", "port"],
  ["u_mem_top/u_sram_lut", "Q[1]", "blackbox"]
)
```

get_instance

Get instance in the top level module

Usage: my \$instance = get_instance(\$pattern, @options);
 \$pattern: Match pattern, can have wildcard "*", if it is empty, it is treated as ""
 @options:
 -module: module name to have its instance name found
 \$instance: Return the first instance matching

Examples:

```
#1. The first hierarchical instance matching 'ui_*'.
$instance = get_instance("ui_*");

#2. Find the instance name of module 'enet_control'
$instance = get_instance("-module", "enet_control");
```

get_instances

Get all hierarchical instances in the top level module

Usage: my @instances = get_instances(\$pattern);
 \$pattern: Match pattern, can have wildcard "*", if it is empty, it is treated as ""

@instances: Array of the hierarchical instances

Examples:

```
@instances = get_instances("UI_*"); # Any hierarchical instances with UI_ as prefix.
@instances = get_instances();      # All hierarchical instances.
```




get_leaf_pin_dir

Get leaf cell pin's direction input/output/inout
Usage: my \$dir = get_leaf_pin_dir("\$leaf_name/\$pin");
\$pin: pin name, E.G. A or B or Y
\$leaf: Leaf cell name, E.G. NAND2X2
\$dir: return direction, input/output/inout

Examples:

```
my $dir = get_leaf_pin_dir("NAND2X2/A");
```

get_leafs_count

Get all leaf cells name and count in the top level module, return an array
Usage: @leaf_count = get_leafs_count;
@leaf_count: Array of leaf name and count
([leaf0, cnt0], [leaf1, cnt1], ...)

Examples:

```
@leaf_count = get_leafs_count;  
foreach my $leaf_point (@leaf_count){  
    my $leaf_name = $leaf_point->[0];  
    my $count = $leaf_point->[1];  
    print "LEAF: $leaf_name has $count cells  
";  
}
```

get_lib_cells

Get leaf gates in libraries
Usage: my @cells = get_lib_cells(\$pattern, @options);
@options:
-help: This information
-char: All cells characterization
-type leaf_type: Get leaf gates matching type.
Leaf_type can be 'ff', 'latch', 'cg', 'buf', 'not', 'and' ...
-type_info: List all types in the current loaded libraries
-verbose: If \$pattern matches only one lib cell, print the cell lib information
\$pattern: Library cell name pattern, can have '*'.
@cells: Return array with name matching

get_loads

Get loads of net in the top level module, return the leafs connections
Usage: @result = get_loads(\$net_or_pin, @options);
\$net_or_pin: The net name or pin name that needs to get fanouts.
@options:
-nonbuf: Trace the loads until none buffer
-bybbuf: Don't include buffer/inverter in the return array
-hier: Loads cross hierarchies
-fanend: Fanout endpoints, flops or ports
@result: A two dimension array. Each item has format of 'instance' and 'pin_name' if
the load is leaf cell. Or 'port_name' and 'GOF_PIN_IN'
@result = ([instance_0, pin_0],
 [instance_1, pin_1],
 [port_name, GOF_PIN_IN],
 ...
)

get_loads_phase

Get loads of net with phase in the top level module, return the non-buffer/inverter leafs connections
Usage: @result = get_loads_phase(\$net_or_pin, @options);
\$net_or_pin: The net name or pin name that needs to get fanouts.
@options:
-help: This information
@result: A two dimension array. Each item has format of 'instance', 'pin_name' and 'phase', if
the load is leaf cell. Or 'port_name', 'GOF_PIN_IN' and 'phase'
@result = ([instance_0, leaf_0, pin_0, 0],
 [instance_1, leaf_0, pin_1, 1],
 [port_name, GOF_CELL_OUTPORT, GOF_PIN_IN, 1],
 ...
)

get_logic_cone

Get logic cone of nets or pins
Usage: \$result = get_logic_cone(@InstancePinList, @options);
@InstancePinList: Instance/pin and net list.
\$result: 1, the command fails. 0, the command completed successfully
@options:
-o file_name: Write output to the file. Default logic_cone.v

Examples:

```
my @InstPin = ('abc_reg/D', 'n12345');  
my $ret = get_logic_cone(@InstPin, '-o', 'MyLogicCone.v');  
# The logic cone is written out to verilog file 'MyLogicCone.v'
```

get_modules

Get modules under current module
Usage: @modules = get_modules(\$pattern, @options);
\$pattern: Match pattern, can have wildcard "*", if it is empty, it is treated as ""
@options:
-help: Print this information
-hier: Get all modules hierarchically
@modules: Modules list, ("module0", "module1", ...)

Examples:

```
@modules = get_modules("TM*"); # Any hierarchical modules with TM in the name.  
@modules = get_modules(); # All hierarchical modules.  
@modules = get_modules("-hier"); # All hierarchical modules and sub-modules under current module.
```

get_net_of

Get net name connecting to a pin
Usage: my \$net = get_net_of(\$pin);
\$pin: The pin of the instance, 'U1234.A1' or 'U1234/A1'
\$net: The net name connecting to the pin

get_nets



Get nets that matching pattern
Usage: @nets = get_nets(\$pattern, @options);
\$pattern: The net naming pattern, "*" or empty for all nets
@options:
-const0: Get all constant zero nets
-const1: Get all constant one nets
@nets: returned net array.

Examples:

```
1#. Get all nets.
@nets = get_nets("*");

2#. All nets with 'dbuffer' as prefix
@nets = get_nets("dbuffer_*");

3#. Get constant nets
@nets = get_nets("-const0");
```

get_path

Get current hierarchical path
Usage: \$path = get_path();
\$path: The current path

get_pins

Get pins of instance or module
Usage: @pins = get_pins(\$name, @options);
\$name: The instance or module name, it can be hierarchical or leaf
@options:
-input: Get input pins
-output: Get output pins
-inout: Get inout pins
-clock: Get clock pin, only valid for sequential cell, flop latch and gated-clock-cell
-reset: Get reset pin, return "" if it doesn't exist
-set: Get set pin, return "" if it doesn't exist
-data: Get data pins
-attribute attribute: Get pins with the attribute
-nextstate type type: Get pins matching the type
which can be 'data', 'load', 'scan_in', 'scan_enable'
This option is only valid for sequential cell, flop, latch and gated-clock-cell
If no option is present, get all pins
@pins: All pins returned, in 'instance/pin' format

Examples:

```
#1. Get input pins of a hierarchical instance
my @pins = get_pins("-input", "u_abc/U123");
Result @pins = ("u_abc/U123/A", "u_abc/U123/B")

#2. Get pins of a leaf cell
@pins = get_pins("AND2X2");
Result @pins = ("A","B","Y")
```

get_ports

Get all ports in the current top level module
Usage: @matching_ports = get_ports(\$pattern, @options);
\$pattern: Match pattern, can have wildcard "*". If it is empty, it is treated as ""
@options:
-input: Get input ports only
-output: Get output ports only
-inout: Get inout ports only
-bus: Get ports in bus format instead of bit blast.
The API returns an array point if this option present
The item in the array has format of [port, IsBus, MaxIndex, MinIndex]
if IsBus == 1, MaxIndex is the Max Index of the bus, E.G, 7 if the bus is port_a[7:0]
if IsBus==0, MaxIndex and MinIndex are not defined

If no option is present, get all ports

@matching_ports: Return ports matching the pattern and the option specified in
the current top level module

Examples:

```
@ports = get_ports("-input", "dsp2mc_*"); # Get input ports with "dsp2mc_" as prefix
@ports = get_ports; # Get all ports
```

get_ref

Get the reference of the instance, return leaf cell name or hierarchical module name
Usage: \$reference = get_ref(\$instance);
\$instance: Instance name, "U123"
\$reference: Return reference name, "NAND2X4"

get_resolved

Resolve the relative path to module and leaf item
Usage: (\$module, \$leaf) = get_resolved(\$relative_path);
\$relative_path: Relative path, like "u_abc/u_def/U456"
\$module: Resolved module name, like "def"
\$leaf: Resolved leaf name, like U456

Examples:

```
my ($module, $leaf) = get_resolved("u_abc/u_def/U456");
$module has value "def"
$leaf has value "U456"
```

get_roots

Get root designs name
Usage: my @rootdesigns = get_roots;
@rootdesign: returned root designs name

get_scan_flop

Get scan flop for the non scan flop
Usage: my \$scanflop = get_scan_flop(\$nonscanflop);

Examples:

```
# Get a corresponding scan flop for non scan flop DFFHQX1
my $scanflop = get_scan_flop("DFFHQX1");
```

get_spare_cells



ECO command. Get spare cells
Usage: get_spare_cells(\$pattern,@options);
\$pattern: Spare leaf cell instance pattern, E.G. 'spare_inst*/spare_gate*'
Extract spare cells from the database with the pattern
The first half before '/' is hierarchical instance pattern, it is '*' for top level
The second half after '/' is leaf instance pattern
It is ignored if -file option is present
@options:
-o file_name: Write updated spare cell list to the file,
by default, it has name 'spare_cells_scriptname.list'
-file spare_list_file: Load in spare cell list file instead of extracting from the database
-gate_array gate_array_naming: Gate Array naming style, like 'G*', most standard libraries have Gate Array cells naming starting with 'G'
This option enables Metal Only Gate Array Spare Cells ECO flow
-gate_array_filler gate_array_filler_naming: Gate Array Filler naming style, like 'GFILL*'
or 'GFILL*|GDCAP*' to include both GA Filler and GA DCAP
-ignore_load: By default, if the spare cell has fanout, it won't be added into the list. When this option is set,
any matched spare cell is added into the list
-exclude_cell_type cell_type: Exclude cell type matching cell_type, cell_type supports wild card like DFFRS*
-addfreed: Only use deleted gates as spare resource

Examples:

#1. Extract spare cells from the database, matching instances like "SPARE_u0"
get_spare_cells("*/SPARE_*");

#2. Matching hierarchical instance "someSpare_*" and leaf instance "spr_gate*"
get_spare_cells("someSpare_*/spr_gate*");

#3. Extract spare cells from file "spare_cells_list.txt"
get_spare_cells("-file", "spare_cells_list.txt");

#4. Enable Gate Array Spare Cells Metal Only ECO Flow, map_spare_cells will map to Gate Array Cells only
get_spare_cells("-gate_array", "G*", "-gate_array_filler", "GFILL*|GDCAP*");

#5. Matching hierarchical instance "someSpare_*" and leaf instance "spr_gate*", but excluding DFFRS*
get_spare_cells("someSpare_*/spr_gate*", "-exclude_cell_type", "DFFRS*");

#6. Only used freed gated in metal only ECO
del_gate("u_control/the_status_reg"); # Delete the unused flop and its logic cone will be deleted
fix_design;
get_spare_cells("-addfreed");
map_spare_cells;

Note:

The API has to run on top level,
set_top('most_top_module')
get_spare_cells("someSpare_*/spr_gate*");

get_spare_in_use

Get spare cells used in the ECO
Usage: set_spare_in_use();

gexit

Exit the command interactive mode
Usage: gexit;

gof_version

Print out GOF version
Usage: gof_version;

gprint

Print the message and save to log file
Usage: gprint(\$info);
\$info: The message to be printed.

is_leaf

Check if a module or instance is leaf cell
Usage: my \$leaf = is_leaf(\$name);
\$name: The module or instance under check
\$leaf: 0, it's a hierarchical module, (Or the module is not defined)
1, it's leaf cell. Like, NAND4X8

is_pin_masked

Check if an instance pin has been masked in the current constraint
Usage: my \$is_masked = is_pin_masked(\$inst_pin);
\$inst_pin: Instance pin, for instance u_control/u_mbist/U1/A
\$is_masked: 0, it is not masked
1, it is masked

Examples:

#1. Check if a DFT MUX has B pin masked in DFT mode 'MX2X4 uMUXD9(.A(ana_in),.B(test_in),.S(atpg_mode),.Z(mux_out9));
set_pin_constant('atpg_mode', 1);
my \$is_masked = is_pin_masked("uMUXD9/A"); # It returns 1

is_scan_flop

Check if an instance is scan flop
Usage: my \$isscan = is_scan_flop(\$name);
\$name: The cell name or instance name
\$isscan: 0, it's not a scan flop
1, it's a scan flop

is_seq

Check if an instance or a leaf cell is a specific sequential cell
Usage: my \$isseq = is_seq(\$name, @options);
\$name: The instance under check
@options:
-help: This information
-ff: Check if it's a flipflop
-bank: Check if it's a multibit flop
-latch: Check if it's a latch
-cg: Check if it's a gated clock
-rom: Check if it's a rom
-ram: Check if it's a ram
\$isseq: 0, it is not the specific sequential cell
1, it is the specific sequential cell

list_wireload



Timing command. List all wireload defined in the liberty files

Usage: list_wireload;

map_spare_cells

ECO command. Map all new created cells to spare cells

Usage: \$status = map_spare_cells;

\$status: 0: the mapping is successful
non zero: the mapping fails

@options:

-help: Print this information.

-syn Synthesis_command_line:

By default, the built-in Synthesis Engine is used.

External Synthesis tool can be picked by this option

RTL Compiler and Design Compiler are supported.

E.G. "map_spare_cells('-syn', 'rc')" to pick RTL compiler

"map_spare_cells('-syn', 'dc_shell')" to pick Design Compiler

User can specify more values in the synthesis command

E.G. '-rc', "rc -E -use_lic RTL_Compiler_Physical"

-lib_header file_name: This option is Valid when '-syn' option is present. To insert the content of file 'file_name' to the header of synthesis tcl script. So that '.lib' file to '.db' conversion can be avoided in Design Compiler case.

For example, in Design Compiler case, the file content should have

```
set_search_path [list /project/lib/synopsys_db]
```

```
set_target_library [list art40_hvt art40_svt]
```

```
set link_library [list art40_hvt art40_svt]
```

-nofreed: Don't add freed gates for synthesis.

-nobuf: Don't insert buffers/repeaters in long wires.

-notielow: Don't tie low of the input pins of output floating gates, delete them instead

-pause: Pause the tool before apply the patch

-exact: Map to the exact name of spare cell, by default the tool picks up a spare cell with

the same function, for example, pick up 'INVX2' for 'INVX4'

-gcmp: Use GOF compiler

-nospare_mapping: Don't map to physical spare gates even DEF file is loaded

Note: A DEF file is needed for mapping to exact spare instances.

Examples:

#1. Map to spare cells and use the built-in Synthesis Engine

```
my $status = map_spare_cells;
```

#2. Use extra 'rc' option

```
map_spare_cells('-syn', "rc -E -use_lic RTL_Compiler_Physical")
```

#3. Don't add freed cells for synthesis

```
map_spare_cells('-syn', "rc -E -use_lic RTL_Compiler_Physical", "-nofreed")
```

new_gate

ECO command. Create new gate

Usage: @return = new_gate(\$new_net, \$reference, \$new_instance, \$connections);

Note: if the command is called in the context of return a scalar, the new created instance name returns.

The usage is the same as new_net, except \$reference has to be defined,

and return back instance if scalar present.

Run "help new_net" for detail in the shell "GOF >"

new_net

ECO command. Create a new net

Usage: @return = new_net(\$new_net, \$reference, \$new_instance, \$connections);

\$new_net: The new net to be created, if not defined, the tool assigns one automatically

\$reference: The leaf gate name to drive the net.

\$new_instance: The instance name of the new cell, or leave it empty to get automatically assigned.

\$connections: The new gate input pins connections

Supported formats, 1. Detail format: ".A(net0),.B(net1),.C(net2)"

2. Simple format: Connect to the pins in alphabetical sequence

"net1,net0,net2" indicating .A(net1),.B(net0),.C(net2)

3. Mixed format: "instance/pin" and net, "U408/Y,U409/Y,net2" indicating

A to U408/Y, B to U409/Y and C to net2

4. The "instance/pin" can have sub-instance hierarchy, "u_abc/U408/Y"

@return: Have the new created instance and net name.

\$return[0] : New created instance.

\$return[1] : New created net.

Note: Hierarchical path is supported in any net or instance in the command,

for instance, new_net('u_abc/net124', ...

If the command is called in the context of return a scalar, the new created net name is returned.

The new net is assumed to be driven in the path it is created,

for instance, new_net('u_abc/eco12345_net124');

eco12345_net124 should be driven in sub-instance u_abc after it is created.

Examples:

#1. NAND2x2 instance name 'U_eco_123' driving new net 'net123'

```
new_net("net123", "NAND2X2", "U_eco_123", ".A(n200),.B(n201)");
```

#2. INVX2 with instance name 'U_inv' is created in u_abc sub-instance

and the input pin of the new invert is driven by n200 in current top level

port would be created if n200 doesn't drive input port to u_abc

```
new_net("u_abc/net123", "INVX2", "u_abc/U_inv", "n200");
```

#3. Create a new net "net500"

```
new_net("net500");
```

#4. Create a new instance with new net tied to output pin, input pin is floating.

\$return[0] is new created instance, \$return[1] is new created net.

```
@return = new_net("", "INVX2", "", "");
```

new_port

ECO command. Create a new port for the current top level module

Usage: new_port(\$name, @options);

\$name: Port name

@options:

-input: New an input port

-output: New an output port

-inout: New an inout port

Note: The port name has to be pure words or with bus bit, like, abc[0], abc[1]

Examples:

```
new_port('prop_control_en', '-input'); # create an input port naming 'prop_control_en'
```

```
new_port('prop_state[2]', '-output'); # create an output port with bus bit 'prop_state[2]'
```

```
new_port('prop_state[3]', '-output'); # create an output port with bus bit 'prop_state[3]'
```

place_gate

ECO command. Place an instance to a specific position



Usage: place_gate(\$inst, \$x, \$y);
\$inst: The instance to be placed
\$x,\$y: The coordinate

Note: This command affects the spare gate mapping of the instance.

Examples:

```
# A flop is added and placed in some location
# In 'map_spare_cells' command, the flop is mapped to a spare flop closest to the location
change_pin("U123/A", "DFFX1", "eco_dff_reg", ".D(-),.CK(clock)");
place_gate("eco_dff_reg", 100, 200); # location, 100um, 200um
map_spare_cells;
```

place_port

ECO command. Place port position
Usage: place_port(\$port, \$x, \$y);
\$port: The port to be placed
\$x,\$y: The coordinate
This command has effect on change_port ECO command

pop_top

Pop out the saved top level module from the stack and discard the current setting
Usage: pop_top;

post_recovery

ECO command. recover deleted gates after ECO
Usage: post_recovery(@options);
@options:
-inv: Replace INV by NAND/NOR
-incr: Incremental, preceded by map_spare_cells

preserve_modules

Preserve wires in the modules listed or all modules
Usage: preserve_modules(@module_list, @options);
@options:
-all: Preserve wires in all modules

push_top

Set the current top level module and push the previous setting to stack, pop_top can retrieve it
Usage: push_top(\$module);
\$module: Set the \$module as the top level module, push the previous setting to the stack

read_def

Read DEF file
Usage: my \$status = read_def(@files, @options);
@files: DEF files
@options:
-defverbose: Report all DEF parsing warnings and errors
\$status: If zero, the files have been read in successfully
if non-zero, failed to read in the files

Examples:

```
my $status = read_def("soc_top.def"); # Read in soc_top.def
my $status = read_def("soc_top1.def", "soc_top2.def"); # Multiple DEF files
```

read_design

Read verilog netlist files
Usage: my \$top_module = read_design(@files, @options);
@files: Verilog netlist files
@options:
-imp: The netlists are for the Implementation which are under ECO
-ref: The netlists are for the Reference
-prelayout: The netlists are prelayout for hierarchical ports phase detection
-Top_1: Read design to create Top_1 tree database
-Top_2: Read design to create Top_2 tree database
Note: If no -imp or -ref option is provided, the netlist is assumed 'implementation'
\$top_module: Return top level module name after the successful read

Examples:

```
#1. Read in an implementation netlist file
my $top_module = read_design("-imp", "soc_design_resynthesized.gv");

#2. Read in a reference netlist file
my $top_module = read_design("-ref", "soc_design_released.gv");

#3. Read in two reference netlist files
my $top_module = read_design("-ref", "soc_design_released.gv", "soc_io.gv");
```

read_file

Read timing violation report file
Usage: my \$status = read_file(\$file_name, @options);
\$file_name: file name
@options:
-format format: accu/pt
accu --- Accucore report file.
pt --- Prime Time report file
\$status: If zero, the file is read in successfully
if one, failed to read in the file

Note: Prime Time timing report file should be generated by report_timing command with these options
report_timing -nosplit -path_type full_clock_expanded -delay max/min -input_pins \
-nets -max_paths 10000 -transition_time -capacitance

Examples:

```
my $status = read_file("soc_primetime_hold.report", "-format", "pt");
```

read_lef

Read LEF file
Usage: my \$status = read_lef(@files);
@files: LEF files
\$status: If zero, the files are read in successfully
if one, failed to read in the files

**Examples:**

```
my $status = read_lef("soc_top.lef"); # Read in soc_top.lef
my $status = read_lef("soc_top.lef", "soc_top1.lef", "soc_top2.lef"); # Read in multiple LEF files
```

read_library

Read standard library or verilog library files

Usage: my \$status = read_library(@files, @options);

@options:

```
-v: Treat the @files as verilog library files
-lib: Treat the @files as standard library files
-f library_list_file: Load library files from list file, the list file has format of
    -v verilog_lib0.v
    -v verilog_lib1.v
    -lib tsmc40.lib
-vmacro: Treat the @files as macro library files which are used as macro cell in ECO
-rtl: Treat as RTL format
-gate: Treat as gate format, if not specify -rtl or -gate, the tool automatic picks one
-top top_module: Only process the module top_module as the leaf cell, discard all other modules
-ref: The library is for the Reference Netlist only
@files: Standard library files, or verilog library files
```

Note: The three options, '-v' '-lib' and '-vmacro' don't coexist.

If the file has .lib extension, '-lib' can be omitted, and it is treated as standard library file.

If the file has .v or .vlib extension, '-v' can be omitted, and it is treated as verilog file.

\$status: If zero, the file is read in successfully
if one, failed to read in the file

Examples:

```
my $status = read_library("arm_40_hvt.lib", "arm_40_io.lib");
my $status = read_library("analog_stub.v", "analog_stub2.vlib");
my $status = read_library("-v", "analog_stub.v");
my $status = read_library("-vmacro", "macrocell.v");
my $status = read_library("-f", "lib_files.list");
my $status = read_library("-top", "abs_control_top", "abs_control_top_post.v");
my $status = read_library("ref_special.lib", "-ref"); # The library is only for the Reference Netlist
```

read_rtl

Read RTL files

Support SystemVerilog (IEEE 1800-2017)

Usage: read_rtl(@files, @options);

@options:

```
-imp: The RTL files are for Implementation
-ref: The RTL files are for Reference
```

Note: It can only run on Centos7 and above, Centos6 is not supported.

read_rtlpatch

Read RTL Patch file

Usage: my \$status = read_rtlpatch(\$file, @options);

\$file: RTL file for ECO

\$status: If zero, the file is read in successfully
if one, failed in reading the file

Examples:

```
#1. Read in RTL Patch verilog file
my $status = read_rtlpatch("rtlpatch_change.v");

#2. Multiple RTL Patch files are read in one by one
my $status1 = read_rtlpatch("rtlpatch_change1.v");
my $status2 = read_rtlpatch("rtlpatch_change2.v");
```

read_sdf

Read SDF Standard Delay Format file

Usage: my \$status = read_sdf(@options, @files);

@files: SDF files, can be in gzip format

\$status: If zero, the files have been read in successfully
if non-zero, failed to read in the files

Examples:

```
#1. Read in slow corner top level SDF file for design TM_QCIF
read_sdf("TM_QCIF_slow.sdf.gz");
```

read_sub_module_netlist

Read in new synthesized netlist file

Usage: read_sub_module_netlist(\$sub_module_file, @options);

\$sub_module_file: Netlist file name

@options:

```
-sub_only: The netlist is one module file, it may have sub-instances as black boxes
-module module_name: The sub-module name in the original top netlist to be replaced
-syn_module syn_module name: The sub-module name in the new synthesized netlist
-suffix suffix_name: Add suffix string to all modules in the module_name defined in 'module' option
```

Examples:

#1. Reads in mem_controller module and its sub-modules, ahb_arb module and its sub-modules, and mem_ahb_top module only

```
read_sub_module_netlist("new_mem_controller.gv", "-module", "mem_controller");
read_sub_module_netlist("new_ahb_arb.gv", "-module", "ahb_arb");
read_sub_module_netlist("new_mem_ahb_top.v", "-module", "mem_ahb_top", "-sub_only");
```

#2. Reads in new synthesized netlist files, new_mem_controller.gv and new_ahb_arb.gv, and modified parent module new_mem_ahb_top.v.
The new sub-module netlist new_mem_controller.gv is to replace two unqualified modules in the original top netlist, mem_controller_1 and mem_controller_2 and their hierarchical sub-modules.
The new sub-module netlist new_ahb_arg.gv is to replace ahb_arb and its hierarchical sub-modules in the original top netlist.
And the new modified new_mem_ahb_top.v is to replace the sub-parent module mem_ahb_top only.

```
read_sub_module_netlist("new_mem_controller.gv", "-module", "mem_controller_1", "-syn_module", "mem_controller", "-suffix", "_1");
read_sub_module_netlist("new_mem_controller.gv", "-module", "mem_controller_2", "-syn_module", "mem_controller", "-suffix", "_2");
read_sub_module_netlist("new_ahb_arb.gv", "-module", "ahb_arb");
read_sub_module_netlist("new_mem_ahb_top.v", "-module", "mem_ahb_top", "-sub_only");
```

read_sub_module_svf

Read in new synthesized design SVF file

Usage: read_sub_module_svf(\$sub_module_svf, @options);

\$sub_module_svf: Sub-module SVF file name

@options:

```
-module module_name: The sub-module name in the original top netlist that will be replaced
```



-syn_module syn_module_name: The sub-module name in the new synthesized netlist
-suffix suffix_string: Add suffix to all modules under the module_name defined by 'module' option, s
Notes: The command can be run several times

Examples:

```
#1. Reads in mem_controller module and its sub-modules, ahb_arb module and its sub-modules SVF files
read_sub_module_svf("new_mem_controller.svf", "-module", "mem_controller_1", "-syn_module", "mem_controller");
read_sub_module_svf("new_ahb_arb.svf", "-module", "ahb_arb");
```

read_svf

Read Synopsys SVF text files

Usage: my \$status = read_svf(@options, @files);

@files: SVF text files

@options:

- imp: The SVF file is for the Implementation netlist
- ref: The SVF file is for the Reference Netlist
- Top_1: The SVF file is for Top_1 tree database
- Top_2: The SVF file is for Top_2 tree database

\$status: If zero, the files have been read in successfully
if non-zero, failed to read in the files

Note: This command must be run before read_design
SVF should be in text format

Examples:

```
#1. Read in both SVF files for IMP/REF
read_svf("-ref", "ref_design.svf.txt");
read_svf("-imp", "imp_design.svf.txt");
read_design("-ref", "ref_design.v");
read_design("-imp", "imp_design.v");
```

read_vcd

Read VCD file

Usage: read_vcd(\$vcd_file);

\$vcd_file: VCD file name to be read in

Examples:

```
#1. Read in VCD generated in verify_faults
read_vcd("fault_seu.vcd");
```

rename_net

ECO command. Rename a net name

Usage: rename_net(\$oldname, \$newname);

\$oldname: Old net name

\$newname: New net name

replace_sub_module_netlist

Replace sub-module in the design by a new re-synthesized sub-module netlist and write to a new top netlist

Usage: replace_sub_module_netlist(\$new_top_netlist_file);

\$new_top_netlist_file: The replaced and new top level full netlist to be written out

Examples:

```
#1. Replace sub-module 'mem_controller', 'ahb_arb' hierarchically, and 'mem_ahb_top' module, and write out to a new full netlist
```

```
read_library("tsmc.lib");
read_design("-imp", "top_ref.gv");
read_sub_module_netlist("new_mem_controller.gv", "-module", "mem_controller");
read_sub_module_netlist("new_ahb_arb.gv", "-module", "ahb_arb");
read_sub_module_netlist("new_mem_ahb_top.v", "-module", "mem_ahb_top", "-sub_only");
replace_sub_module_netlist("new_top_ref.gv");
```

```
#2. Replace sub-module 'mem_controller', 'ahb_arb' hierarchically in netlist and SVF, replace 'mem_ahb_top' module only,
and write out to a new full SVF file and a new netlist
```

```
read_library("tsmc.lib");
read_svf("-imp", "top_ref.svf");
read_design("-imp", "top_ref.gv");
read_sub_module_svf("new_mem_controller.svf", "-module", "mem_controller");
read_sub_module_svf("new_ahb_arb.svf", "-module", "ahb_arb");
read_sub_module_netlist("new_mem_controller.gv", "-module", "mem_controller");
read_sub_module_netlist("new_ahb_arb.gv", "-module", "ahb_arb");
read_sub_module_netlist("new_mem_ahb_top.v", "-module", "mem_ahb_top", "-sub_only"); # This module is parent module with instantiation only
```

```
replace_sub_module_netlist("new_top_ref.gv"); # Run netlist replacement first
replace_sub_module_svf("new_top_ref.svf"); # Then SVF replacement
```

replace_sub_module_svf

Replace sub-module SVF in the design by a new re-synthesized sub-module SVF file content

Usage: replace_sub_module_svf(\$new_top_design_svf);

\$new_top_design_svf: The replaced and new top level full SVF file to be written out

Examples:

```
#1. Replace sub-module 'mem_controller', 'ahb_arb' hierarchically in netlist and SVF, replace 'mem_ahb_top' module only,
and write out to a new full SVF file and a new netlist
```

```
read_library("tsmc.lib");
read_svf("-imp", "top_ref.svf");
read_design("-imp", "top_ref.gv");
read_sub_module_svf("new_mem_controller.svf", "-module", "mem_controller");
read_sub_module_svf("new_ahb_arb.svf", "-module", "ahb_arb");
read_sub_module_netlist("new_mem_controller.gv", "-module", "mem_controller");
read_sub_module_netlist("new_ahb_arb.gv", "-module", "ahb_arb");
read_sub_module_netlist("new_mem_ahb_top.v", "-module", "mem_ahb_top", "-sub_only"); # This module is parent module with instantiation only
```

```
replace_sub_module_netlist("new_top_ref.gv"); # Run netlist replacement first
replace_sub_module_svf("new_top_ref.svf"); # Then SVF replacement
```

report_eco

Report ECO

Usage: report_eco(\$filename, @options);

\$filename: Write report to the file name. If \$filename is not present, print to screen

@options:

- help: Print this information
- simple: Print in simple format



report_spare

Report Spare cells
Usage: report_spare;

report_timing

Timing command. Report timing
Usage: report_timing(@options);
@options:
-help: Prints this information
-delay_type \$delay_type: Specifies the type of path delay: max (default) or min
-from: \$startpoint, Starting point of the timing report
-to: \$endpoint, Ending point of the timing report
-through: \$through_points, Through points, the value can be an array point
-thr_and: Through points should all present
-max_paths number: Max path number to report, if it is not set, only report one path
-all: Reports all timing paths
-input_pins: Displays input pins of instances
-nosplit: Prevents line splitting
Note: If none of the 'from' or 'to' or 'through' option is present, the timing report is on the paths that go through the ECO instances

Examples:

```
#1. Report timing on the paths that go through the ECO instances
report_timing();

#2. Report timing on the instances that in through option
my $thr_instances = ["u_control/u_clk/U120", "u_control/u_mbist/U117"];
report_timing("-through", $thr_instances);

#3. Report timing on the instances that in through option and they should all appear in the report path
my $thr_instances = ["u_control/u_clk/U120", "u_control/u_mbist/U117"];
report_timing("-through", $thr_instances, "-thr_and");
```

restore_session

Restore ECO session
Usage: restore_session("\$directory/\$session_name");
\$directory: The directory that the session has been saved
\$session_name: The session name

Examples:

```
# To restore the session "myeco" in sub-directory "mach_ai"
restore_session("mach_ai/myeco");
```

rtl_compare

RTL to RTL compare
The compare result is used in fix_design, so that Gate to Gate comparing can be skipped
Usage: rtl_compare(@options);
@options:

run

Run Netlist processing script
Usage: run(\$script_name);

Examples:

```
run("eco2.pl");
```

run_lec

Run Logic Equivalence Check of the Implementation Netlist vs the Reference Netlist
Usage: run_lec(@options);
@options:
-list_file the_list_file: The LEC point list file
The list file format:
inst: u_def/u_sdef/state_reg_1
pin: u_control/u_sreg/u_mem_128x24/A[0]
port: PORT_READY_OUT

save_session

Save ECO session
Usage: save_session("\$directory/\$session_name");
\$directory: The directory that the session should be saved
\$session_name: The session name

Examples:

```
# To save a session "my_eco" in sub-directory "mach_ai"
save_session("mach_ai/my_eco");
```

sch

Launch schematic to verify ECO
Usage: sch(@instances, @options);
@instances: Instances or nets in the current module to be displayed on the schematic
@options:
-set value: Set a value when launch the schematic
-to value: To existing schematic
-both: Load the item in both implementation and reference netlist

Examples:

```
sch("U123", "U456", "inst0");
sch("clk")
sch("in1", "-set", "1");
sch("in1", "-to", "1"); # No action if schematic 1 doesn't exist
```

set_auto_fix_floating

ECO setting. Enable automatic fixing floating input ports after fix_modules
By default, it is enabled.
Usage: set_auto_fix_floating(0); --- Disable automatic fixing floating input ports.

set_bfix

Enable or disable BFIX features which is for precise combinational logic fix
Usage: set_bfix(\$val);
\$val: Default 0x3
Bit 0, Set one to enable Reorder Method
Bit 1, Set one to enable Cutpoint Method
bit 2, Set one to force using Reorder/Cutpoint Method instead of Structure Method



Note: It should run before `fix_design`

set_blackbox

Set Blackbox on Modules

Usage: `set_blackbox(@modules, @options);`
`@module:` Module names to be set as blackbox, accept wild card '*'
`@options:`
 `-hier:` Set blackbox on the module and its sub-hierarchical modules
 Only valid on module name without '*'

Note: This command can be used multiple times

Examples:

```
#1. Set Blackbox on DW modules
set_blackbox("**DW_pipe*");

#2. Set Blackbox on 'ABC' and 'DEF' modules
set_blackbox("ABC", "DEF");

#3. Set Blackbox on memory_control and its sub-hierarchical modules. Set Blackbox on one DW as well
set_blackbox("memory_control", "-hier");
set_blackbox("DW_adder_123");
```

set_bound_opti

Set boundary optimization checking

Usage: `set_bound_opti($val);`
`$val:` 0, disable boundary optimization checking
 1, enable boundary optimization checking (default)

set_buffer

Set buffer type. The tool automatically picks one if the command is not called

Usage: `set_buffer($buffer);`
`$buffer:` Lib cell name for buffer

Examples:

```
set_buffer("BUF2");
```

set_buffer_distance

Set distance limit for inserting buffer

Usage: `set_buffer_distance($distance_val);`
`$distance_val:` distance to insert buffer, in um

set_clock_uncertainty

Timing command. Set clock uncertainty

Usage: `set_clock_uncertainty($value);`
`$value:` Uncertainty value

set_cluster_command

Set cluster command in parallel fault verification

Usage: `set_cluster_command($cluster_command);`
`$cluster_command:` Command to submit jobs to cluster computers

Examples:

```
#1. Set cluster command
set_cluster_command("bsub_lsf -queue");
```

set_cluster_timeout

Set time out for cluster command

Usage: `set_cluster_timeout($time_in_seconds);`
`$time_in_seconds:` An integer number in seconds

Note: cluster time out number should be large than solver time out

Examples:

```
#1. Set solver time out to ~12 hours
set_cluster_timeout(43200);
```

set_constraints

Set constraints for `map_spare_cells` command

Usage: `set_constraints(@options);`
`@options::`
 `-type type_constraint :` Set spare cell type constraint, `type_constraint` is a string listing spare cells separated by ',', `get_spare_cells` should not be used if `-type` is present
 `-num num_constraint :` Set spare cell number constraint, `num_constraint` is a string in the format of 'mux<16,nand<18'
 `-type_limit limit_string :` Set cell type limit to be less than a number, for example A9TR type less than 10, 'A9TR<10'. All constraints is separated by ',' in the format of 'X8B<9,X0P5A<1'

Note: The number constraint only controls the number of spare types to be used. The spare gates list should have 'nand/and', 'nor/or' and 'inv' types of leaf cells for synthesis mapping, and have spare flops for direct mapping, 'mux' is optional. If used with `get_spare_cells` command, this command should be used after `get_spare_cells`, check example #3

Examples:

```
#1. Use less than 16 'mux' and less than 18 'nand' spare gates in map_spare_cells
get_spare_cells("u_Spare*/*spr_gate*");
set_constraints('-num', 'mux<16,nand<18');
map_spare_cells;

#2. Use NAD2X1 NOR2X1 INVX1 and MUX2X1 as spare type gates
set_constraints('-type', 'NAND2X1,NOR2X1,INVX1,MUX2X1');
map_spare_cells;

#3. Set constraint after spare list created
get_spare_cells("u_Spare*/*spr_gate*");
set_constraints('-num', 'and<1'); # So that no AND spare gate will be used
map_spare_cells;

#4. Set type limit after spare list created
get_spare_cells("u_Spare*/*spr_gate*");
set_constraints('-type_limit', 'ULVT<5,ELVT<6');
map_spare_cells;
```

set_cutpoint_thresh



Set Cutpoint Threshold
Usage: set_cutpoint_thresh(\$val);
\$val: Threshold value, default 100

set_cutpoint_ultra

Set the level in doing CutPoint Ultra
Usage: set_cutpoint_ultra(\$val);
\$val: 0, Disable cutpoint ultra
1, Enable cutpoint ultra (default)

set_define

Set define
Usage: set_define(\$define, \$value, @options);
@options:
-imp: The define is for Implementation only
-ref: The define is for Reference only
\$define: The define item
\$value: The value, optional

Examples:

```
#1. Set define SYNTHESIS for both netlists
set_define("SYNTHESIS");

#2. Set define NO_DFT_LOGIC for Reference only
set_define("NO_DFT_LOGIC", "-ref");

#3. Set define SIMULATION to 0
set_define("SIMULATION", 0);
```

set_detect_points

set detect points
Usage: set_detect_points(@points, @options);
@points: Detect points
@options:
-help: Print this info

Note: The command can be run multiple times

Examples:

```
#1. Set data_error_ml as detect points
set_detect_points("data_error_ml");

#2. Set data_error_ml and u_cpu/err_det_reg as detect points
set_detect_points("data_error_ml");
set_detect_points("u_cpu/err_det_reg");
```

set_disable_cross_hierarchy_merge

Set this variable to disable cross hierarchy register merging
Usage: set_disable_cross_hierarchy_merge(\$value);
\$value: 0, disable
1, enable. Default

set_disable_lib_cache

Disable liberty file cache
Usage: set_disable_lib_cache(\$value);
\$value: 0, enable liberty file cache (default)
1, disable liberty file cache

set_dont_fix_modules

Set dont fix property on modules
Usage: set_dont_fix_modules(@modules);
@module: Module names not to be fixed

Example:

```
#1. Set dont fix on pcie_ctrl and pcie_top module
set_dont_fix_modules("pcie_ctrl", "pcie_top");
```

set_dont_use

Set dont use property on library cells
Usage: set_dont_use(@cell_list);
@cell_list: List of the dont use cells which is not used in automatic ECO. Wild card '*' is supported

Note: If the command is used multiple times, the latest command overrides the previous ones

Examples:

```
#1. Don't use these two cells
set_dont_use("INVX30", "AND2X24");

#2. Don't use power cell matching PWR_
set_dont_use("PWR_*");

#2. If run two times, the second one has effect, set dont use on "CINV_*"
set_dont_use("SINV_*");
set_dont_use("CINV_*");
```

set_eco_effort

ECO setting. Set ECO effort
Usage: set_eco_effort(\$effort);
\$effort: One of the three choices, high, medium and low. By default, high effort is used

Examples:

```
#1. Change ECO effort to medium
set_eco_effort("medium");
```

set_eco_point_json

Set a JSON file name for saving the ECO point data.
The JSON file can be applied to another netlist ECO, so that the full LEC has no need to be rerun
Usage: set_eco_point_json(\$json_name);
\$json_name: The JSON file name

Note: This command should be run before fix_design



set_equal

ECO setting. Set two points to be equivalent in the Reference and Implementation Netlists
The points can be input port, flop instance or output pin of black-box.
The point names should have 'i:' or 'r:' as prefix to indicate they are for the Reference or Implementation, or the first point is assumed as Reference and the second Implementation.
Both of the points can be from Reference or Implementation
Usage: set_equal(\$ref_point, \$imp_point);
\$ref_point: The point in the Reference Netlist. It should be the first argument if it doesn't have 'i:' or 'r:' as prefix
\$imp_point: The point in the Implementation Netlist. It should be the second argument if it doesn't have 'i:' or 'r:' as prefix

Examples:

```
#1. Input port 'in_a' in Reference Netlist is equivalent to input port 'in_b' in Implementation Netlist in top module
set_top('top_module');
set_equal('r:in_a', 'i:in_b');

#2. Flop instance 'subinst/flopa_reg' is equivalent to input port 'IN0' in the Implementation Netlist
set_top('top_module');
set_equal('i:subinst/flopa_reg', 'i:IN0');
fix_design();
```

set_error_out

Set error out setting
Usage: set_error_out(\$value);
\$value: 1, Abort the program when APIs have run error, default setting
0, Ignore the error and continue the program

Examples:

```
# Program continues when there is error in change_pin
set_error_out(0);
change_pin("nonexisting_instance/A", "1'b0"); # It will continue, even though nonexisting_instance is not in the database
```

set_exit_on_error

Whether the tool should exit when the script runs into an error
Usage: set_exit_on_error(\$error, \$bit);
\$error: Error pattern, wild card support. 'E-001', 'E-*'
\$bit: 1, Exit on the error, default
0, Don't exit on the error

set_exit_on_warning

Whether the tool should exit when the script runs into a warning
Usage: set_exit_on_warning(\$warning, \$bit);
\$warning: Warning pattern, wild card support. 'W-001', 'W-*'
\$bit: 1, Exit on the warning
0, Don't exit on the warning, default

set_false_path

Timing command. Set false path
Usage: set_false_path(@options);
@options:
-help: Print this information
-from: \$startpoint, set false path on the starting point
-to: \$endpoint, set false path on the ending point
-through: \$through_point, set false path on the through point

Examples:

```
#1. Set false path on u_control/u_subsm/state_reg_* as from points
set_false_path("-from", "u_control/u_subsm/state_reg_*");
```

set_floating_as_zero

Set floating net as constant zero
Usage: set_floating_as_zero(\$value);
\$value: 0, disable floating net as constant zero
1, enable floating net as constant zero (default)

set_flop_default_eco

Set flop default eco by inverting input pin and output pin
Usage: set_flop_default_eco(\$value);
\$value: 1 to enable flop default eco by inverting input pin and output pin

set_flop_merge_enable

Inside module flop merge enable
Usage: set_flop_merge_enable(\$setting,@options);
\$setting: 0, disable inside module flop merge
1, enable inside module flop merge (default)

set_high_effort

Set high ECO effort on modules
Usage: set_high_effort(@options);
@options:
-help: Print this information
-include module_list: Only set high ECO effort on the modules listed, module_list has format of module names separated by ',', wild card is acceptable
For example, 'mem_control,dma_*'
-exclude module_list: Exclude high ECO effort on the modules listed, module_list has format of module names separated by ',', wild card is acceptable
For example, 'mem_control,dma_*'
-timeout time_in_seconds: Set time out for each run, default to time out in 900 seconds
time_in_seconds is an integer indicating time out in seconds

Examples:

```
#1. Set ECO high effort on all modules under ECO
set_high_effort();

#2. Set ECO high effort on module 'mem_control_1'
set_high_effort('-include', 'mem_control_1');

#3. Set ECO high effort on modules matching 'mem_control_*' and modules matching 'dma_*'
set_high_effort('-include', 'mem_control_*,dma_*');

#4. Enable ECO high effort, but excluding module 'mem_control_1'
set_high_effort('-exclude', 'mem_control_1');

#5. Enable ECO high effort with time out in 600 seconds
set_high_effort('-timeout', 600);
```



set_ignore_instance

ECO setting. Set ignored sequential or blackbox instances in ECO
Usage: set_ignore_instnace(@ignored_instances)
@ignored_instances: Instances to be ignored in ECO, accept wild card '*'

Examples:

```
#1. Ignore instances matching RAND_CNT_reg* in ECO
set_top('VIDEO_TOP');
set_ignore_instance('RAND_CNT_reg*');
set_top('DESIGN_TOP');
fix_design();

#2. Ignore instances matching current_state_reg* in instance u_video
set_top('DESIGN_TOP');
set_ignore_instance('u_video/current_state_reg*');
fix_design();
```

set_ignore_network

ECO setting. Set ignore network in ECO
Usage: set_ignore_network(@ignored_nets, @options)
@ignored_nets: Net and its network to be ignored in ECO, accept wild card '*'
@options:
-help: Print this information
-pin: @ignored_nets are in pin format, for example, 'DONT_mux_clk/PIN_Y'

Examples:

```
#1. Ignore scan_en and scan_in
set_ignore_network('scan_en*', 'scan_in*');

#2. Ignore PAD_SCAN_EN's output pin 'core' and its network
set_ignore_network('PAD_SCAN_EN/core', '-pin');
```

set_ignore_output

ECO setting. Set ignore output ports
Usage: set_ignore_output(@ignored_ports, @options)
@ignored_ports: Output ports to be ignored, accept wild card '*'
@options:
-help: Print this information
-both: Apply to both Reference and Implementation Netlist. Enabled by default
-ref: Apply to Reference Netlist
-imp: Apply to Implementation Netlist

Examples:

```
#1. Ignore output ports matching *scan_out* in ECO
set_top('design_top');
set_ignore_output('*scan_out*');
set_pin_constant('scan_en', 0);
fix_design();

#2. Ignore output ports matching *TSTCON* in Implementation Netlist
set_top('CHIP_TOP');
set_ignore_output('*TSTCON*', '-imp');
```

set_ignore_pin

set ignore on the pin of black box like memory in logic equivalence checking
Usage: set_ignore_pin("\$cell_name/\$pin_name");
\$cell_name: The black box cell name (Not instance name)
\$pin_name: The cell pin name, wildcard is supported, for example "TM*" to match TM[0] TM[1] ...

Examples:

```
set_ignore_pin("TSMC_MEM_256X29/TCEN");
set_ignore_pin("TSMC_MEM_256X29/TA*");
```

set_inc_dirs

Set include directories
Usage: set_inc_dirs(@include_directory_list, @options);
@options:
-imp: The include directories are for Implementation only
-ref: The include directories are for Reference only
@include_directory_list: List of all include directories

Examples:

```
#1. Set include directories for Reference only
set_inc_dirs("/project/nd900/vlib/include", "/project/nd900/IPS/include", "-ref");

#2. Set include directories for Implementation only
set_inc_dirs("/project/nd900/vlib/include", "/project/nd900/IPS/include", "-imp");

#3. Set include directories for both
set_inc_dirs("/project/nd900/vlib/include", "/project/nd900/IPS/include");
```

set_initial_trans

Timing command. Set initial transition for clock
Usage: set_initial_trans(\$value);
\$value: Transition value

set_input_delay

Timing command. Set input delay
Usage: set_input_delay(\$port_name, \$delay_value, @options);
@options:
-clock clock_name: Specifies the clock that relates to the delay
\$port_name: Input port name, accept wild card '*'
\$delay_value: Delay value in ns

Examples:

```
#1. Set input port to all APB bus input
set_input_delay("port_apb_*", 0.1);
```

set_input_transition

Timing command. Set input transition to all input ports
Usage: set_input_transition(\$value);
\$value: Transition value

set_inside_mod



Set fix scope inside the current module
If set to 1, the tool only use resource inside the current module to fix the non-eq points.
By default, it is disabled.
Usage: set_inside_mod(\$val);
\$val: 0, disable 1, enable

set_inst

Set the current instance, alias of 'current_instance'
Usage: set_inst(\$instance);
\$instance: Set \$instance as the current instance.
If the argument is missing, return the current setting
".." set to parent, "~" set to the most top level module
Note: It can be reset to the root top module by 'undo_eco'. It has same effect of 'set_top' and 'current_design'

set_inv

ECO setting. Set two points to be inverted in the Reference and Implementation Netlists
The points can be input port, flop instance or black-box's output pin.
The point names should have 'i:' or 'r:' as prefix to indicate they are for Reference or Implementation, or the first point is assumed as Reference and the second Implementation.
Both of the points can be from Reference or Implementation by using 'i:' or 'r:' on both point names.
Usage: set_inv(\$ref_point, \$imp_point);
\$ref_point: The point in the Reference Netlist. It should be the first argument if it doesn't have 'i:' or 'r:' as prefix
\$imp_point: The point in the Implementation Netlist. It should be the second argument if it doesn't have 'i:' or 'r:' as prefix

Examples:

```
#1. Input port 'in_a' in the Reference Netlist is inverted to input port 'in_a_BAR' in the Implementation Netlist in top module
set_top('top_module');
set_inv('r:in_a', 'i:in_a_BAR');
```

set_invert

Set invert type. The tool automatically picks one if the command is not called
Usage: set_invert(\$invert);
\$invert: Lib cell name for invert

Examples:

```
set_invert("INVX2");
```

set_keep_format

Keep the format of the original verilog when ECO is done (Keep original netlist format)
Usage: set_keep_format(\$value);
\$value: 0, disable format keeping (default)
1, enable format keeping.

set_keep_tree

Set keeping buffer tree, so that buffer tree won't be removed in ECO
By default, it is disabled.
Usage: set_keep_tree(\$val);
\$val: 0, disable 1, enable

set_keypoints_rep_in_ref

ECO setting. Replace keypoints naming in Reference Netlist.
Keypoints naming matching the first argument, and replace the matched string by the second argument
Usage: set_keypoints_rep_in_ref(\$match_string, \$rep_string);
\$match_string: Keypoints naming matching this string
\$rep_string: To replace the matched string by this string

Note: The command only apply to Reference Netlist

Examples:

```
#1. Replace the last '_' in Keypoints naming in Reference Netlist
set_keypoints_rep_in_ref('_', '');

#2. Replace the last '0' in Keypoints naming in Reference Netlist
set_keypoints_rep_in_ref('0$', '');
```

set_leaf

Set a hierarchical module to be leaf. Useful to stub hierarchical instances
Usage: set_leaf(\$module_name, \$value);
\$module_name: The module to be set leaf or not set to leaf
\$value: 1 or larger than 1, set the module as leaf. 0 not set to leaf.
If \$value is not present, the default value is 1.

Examples:

```
set_leaf($module_a); # set $module a as a leaf
set_leaf($module_a, 1); # same as the above
set_leaf($module_a, 0); # remove the leaf setting
```

set_log_file

Set log file name
Usage: set_log_file(\$filename);
\$filename: Log file name

set_low_effort

Set low ECO effort to speed up ECO process
Usage: set_low_effort(@options);
@options:
-help: Print this information

Examples:

```
#1. Set ECO low effort on all modules under ECO
set_low_effort();
```

set_mapped_point

ECO setting. Set two points mapped in Reference and Implementation Netlists
Usage: set_mapped_point(\$ref_point, \$imp_point, @options);
\$ref_point: Register instance or output port in Reference Netlist
\$imp_point: Register instance or output port in Implementation Netlist
@options:
-invert: The two points are expected to be inverted

Examples:

```
#1. Two outputs are mapped key points
```



```
set_mapped_point("ref_sync", "imp_sync");
```

set_mapping_method

LEC setting. Detecting flop phase inversion.
Usage: set_mapping_method("-phase");

set_max_lines

Set max output lines
Usage: set_max_lines(\$num);
\$num: New max lines number. Default to be 500

set_max_loop

Setup max loop, the tool stops logic optimization when max loop number is reached
Usage: set_max_loop(\$value);

\$value: Setup BDD threshold, default 40000

set_mod2mod

Set reference module mapping to implementation module
Usage: set_mod2mod(\$refmod, \$impmod);
\$refmod: The reference module name
\$impmod: The implementation module name
Note:
The command is used when reference netlist is partial

set_mu

MU configuration, setup MU value for BDD threshold
Usage: set_mu(\$value);
\$value: Setup BDD threshold, default 12000

set_multibit_blasting

Set blasting on multibit flops
set_multibit_blasting(\$enable);
\$enable: 0, disable multibit flop blasting
1, enable multibit flop blasting (default)
Note: This command should run before read_design

Examples:

```
set_multibit_blasting(1);  
read_design("-ref", "ref.v");  
read_design("-imp", "imp.v");
```

set_multibit_output

Set multibit flops output in ECO results
set_multibit_output(\$enable);
\$enable: 0, disable multibit flops output (default)
1, enable multibit flops output

Examples:

```
set_multibit_output(1);  
write_verilog("eco_result.v");
```

set_net_constant

Set net to a constant value in DFT constraint
Usage: set_net_constant(\$net, \$value, @options);
\$net: Net name. It can be a bus.
\$value: Decimal value that the pin should be set
@options:
-help: Print this information
-both: Set the net to the constant value on both Implementation and Reference. Enabled by default.
-imp: Set the net to the constant only on Implementation
-ref: Set the net to the constant only on Reference

Examples:

```
#1. Set all test net to zero in Implementation Netlist  
set_top('DESIGN_TOP_DFT_WRAPPER');  
set_net_constant('all test', 0, '-imp');  
set_ignore_output('PIN_EDT_CHANNEL_OUT*', '-imp');  
fix_design();
```

set_no_patch_opt

Disable patch optimization
Usage: set_no_patch_opt(\$value);
\$value: 0, Enable patch optimization in fix_design (default).
1, Disable patch optimization in fix_design

set_noexact_pin_match

ECO setting. Don't match some special pins
These pins normally don't exist in RTL but added by Synthesis, DFT or other tools.
Usage: set_noexact_pin_match(\$pattern);
\$pattern: Pin pattern in regular expression, '\bIN\d+\b'

Note: The command only apply to Reference Netlist. It should be run before reading reference netlist

Examples:

```
#1. Don't match pins like IN0, IN1, IN2  
set_noexact_pin_match('\bIN\d+\b');  
read_design('-ref', 'ref_netlist.v');
```

set_observe_points

set observe points
Usage: set_observe_points(@points, @options);
@points: Observation points
@options:
-help: Print this info
-comb: The points are input pins of combinational gates

Note: The command can be run multiple times

Examples:

```
#1. Set data_out_m1 bus as observe points
```



```
set_observe_points("data_out_ml*");
```

```
#2. Set data_out_ml bus and u_cpu/valid_status_regas observe points
set_observe_points("data_out_ml*");
set_observe_points("u_cpu/valid_status_reg");
```

set_one_fault

Set one fault for verify_state command
Usage: set_one_fault(\$fault_name);
\$fault_name: Fault name

Examples:

```
#1. Set stuck-at 0 fault to a NAND gate input
set_one_fault("u_top/u_ctrl/U123/A:SA0");
```

set_only_use

In optimize_patch, Only use these cells listed
Usage: set_only_use(@cell_list);
@cell_list: List of the cells that are used in optimize_patch. Wild card '*' is supported

Examples:

```
#1. Use these two cells
set_only_use("INVX30","AND2X24");

#2. Use any type of invert and nand gate
set_only_use("INV*", "NAND*");
```

set_output_delay

Timing command. Set output delay
Usage: set_output_delay(\$port_name, \$delay_value, @options);
@options:
-clock clock_name: Specifies the clock that relates to the delay
\$port_name: Output port name, accept wild card '*'
\$delay_value: Delay value in ns

Examples:

```
#1. Set output delay to all memory output
set_output_delay("mem_out_*", 2.1);
```

set_output_load

Timing command. Set output load to all output ports
Usage: set_output_load(\$value);
\$value: Output load value

set_phase_adjust_en

Enable phase adjusting
Usage: set_phase_adjust_en(\$val);
\$val: 0, disable phase adjusting
1, enable phase adjusting (default)

set_phase_inv

ECO setting. Set flops invert phase in the Reference and Implementation Netlists
Usage: set_phase_inv(\$flop1, \$flop2 ...);
\$flop1, \$flop2: Flop instance list in full path

Examples:

```
#1. Set flop instance u_ip/u_control/a_reg to have invert phase
set_top('top_module');
set_phase_inv('u_ip/u_control/a_reg');

#2. Set flop instances u_ip/u_control/a_reg and u_ip/u_control_b/b_reg to have invert phase
set_top('top_module');
set_phase_inv('u_ip/u_control/a_reg', 'u_ip/u_control_b/b_reg');
```

set_physical_aware

Enable physical aware ECO
Usage: set_physical_aware(\$value);
\$value: 0, disable physical aware ECO
1, enable physical aware ECO (default)

set_pin_constant

Set pin to a constant value in DFT constraint
Usage: set_pin_constant(\$pin, \$value, @options);
\$pin: Input pin name. It can be a bus, or an instance pin.
\$value: Decimal value that the pin should be set
@options:
-help: Print this information
-both: Set the pin to the constant value on both Implementation and Reference. Enabled by default.
-imp: Set the pin to the constant only on Implementation
-ref: Set the pin to the constant only on Reference

Examples:

```
#1. Set test scan test pin to zero
set_top('DESIGN TOP');
set_pin_constant('PIN_SCAN_TEST', 0);
set_ignore_output('PIN_SCAN_SO*');
fix_design();

#2. Set one bus port to all ones on Implementation
set_top('DESIGN TOP');
set_pin_constant('PIN_CONTROL[3:0]', 15, '-imp');
fix_design();
```

set_power

Set power pins connections for leaf cell
Usage: set_power(\$leaf_cell, \$connections);
\$leaf_cell: Leaf cell name. Like NAND2X4
\$connections: Power pins connections, like ".GND(GND),.VDD(VDD)"

set_preserve



Set preserve property on instances. The tool does not remove them in ECO
Usage: set_preserve(@instances, @options);
@options:
-hier: Set preserve globally, the specified instances will be preserved in all modules
@instances: Instances to be preserved in the current module
Accept wild card '*'

Examples:

```
#1. Preserver two instances in mcu_top
push_top("mcu_top");
set_preserve("u_donttouch0", "u_1000");
pop_top;

#2. Preserve all DONT* instances in abc_mod
push_top("abc_mod");
set_preserve("DONT*");
pop_top;

#3. Preserve clock_tree_* instance in all modules, push_top/set_top are ignored
set_preserve("clock_tree_*", "-hier");
```

set_quiet

Run script in quiet mode
Usage: set_quiet;

set_recovery_distance

Set distance limit for gates recovery in ECO
Usage: set_recovery_distance(\$distance);
\$distance: Distance to recover deleted gate, in unit of 'um'

set_remove_undsc_in_ref

ECO setting. Remove last '_' in flop instance in Reference Netlist
It's a special command to remove the last '_' in flop instance in Reference Netlist to match Implementation Netlist.
Usage: set_remove_undsc_in_ref(\$value);
\$value: 1, enable. 0, disable

Note: The command only apply to Reference Netlist

set_rtl_eco_full_hier_fan

RTL ECO has full hierarchical fanout
Usage: set_rtl_eco_full_hier_fan(\$val);
\$value: 0, disable full hierarchical fanout (default)
1, enable full hierarchical fanout

set_save_mapped_instance

Dump key points mapping information for LEC
Usage: set_save_mapped_instance(1);

Note: The command should be run before fix_design

Example:

```
set_save_mapped_instance(1);
fix_design();
```

set_scan_pairs

Set scan output ports, the command is used with dft_drc
Usage: set_scan_pairs(@scan_in_out_pairs);
@scan_in_out_pairs: List of pairs of scan in and scan out pins

Note: The command can run multiple times

Examples:

```
#1. Set all scan_si[100:0] scan_so[100:0] as scan in/out ports
set_top("THE_DESIGN");
for(my $i=0;$i<=100;$i++){
    set_scan_pairs("scan_si[$i]", "scan_so[$i]");
}
set_top("THE_DFT_TOP"); # THE_DFT_TOP has THE_DESIGN as an instance
dft_drc;

#2. Check DFT DRC on a_scan_si[6]/a_scan_so[6] and b_scan_in[7]/b_scan_out[7]
set_scan_pairs("a_scan_si[6]", "a_scan_so[6]", "b_scan_in[7]", "b_scan_out[7]");
dft_drc;
```

set_sn_vs_rn

Check set pin and reset pin priority
Usage: set_sn_vs_rn(\$val);
\$val: 1, Check set/reset pins priority, default
0, Don't check set/reset pins priority

set_solver_timeout

Set time out for solver
Usage: set_solver_timeout(\$time_in_seconds);
\$time_in_seconds: An integer number in seconds

Examples:

```
#1. Set solver time out to ~10 hours
set_solver_timeout(36000);
```

set_tiehi_net

Set tiehi net name, it is used if tiehi net is needed in ECO
Usage: set_tiehi_net(\$netname);
\$netname: Tiehi net name, default to be 1'b1

Note: If Tie High Cell is preferred, the value should be set to empty
set_tiehi_net("");

set_tielo_net

Set tielo net name, it is used if tielo net is needed in ECO
Usage: set_tielo_net(\$netname);
\$netname: Tielo net name, default to be 1'b0

Note: If Tie Low Cell is preferred, the value should be set to empty



```
set_tielo_net("");
```

Examples:

```
set_tielo_net("logic0");
set_tielo_net("TIE_HILO_TIELO_NET");
set_tielo_net(""); # Use Tie Cell
```

set_time_frame_limit

GOF Formal only. Set limitation for time frame in fault verification, default 35

Usage: set_time_frame_limit(\$frame_number);
\$frame_number: An integer number

Examples:

```
#1. Set time frame limit to 256
set_time_frame_limit(256);
```

set_top

Set the current top level module

Usage: set_top(\$module);

\$module: Set \$module as the current top level module.

If the argument is missing, return the current setting

".." set to the parent module, "-" set to the most top level module

Note: It can be reset to the root top module by 'undo_eco'

set_top_ref

Set the top level module for the Reference design

Usage: set_top_ref(\$module);

Notes:

Set top module for the Reference Netlist due to unmatched hierarchy.

set_tree

Set the current tree, if there are more than one sets of databases

Usage: set_tree(\$tree);

\$tree: It can be Top, Top_ref, Top_1 or Top_2

Top: The Implementation Netlist

Top_ref: The Reference Netlist

Top_1: The netlist loaded by -Top_1 option

Top_2: The netlist loaded by -Top_2 option

If \$tree is not defined, the current database name is returned

Note: Implementation tree 'Top' has aliases of 'imp', 'IMP'

Reference tree 'Top_ref' has aliases of 'ref', 'REF'

Examples:

```
set_tree("Top"); # Set to the Implementation Netlist tree
set_tree("Top_ref"); # Set to the Reference Netlist tree
set_tree(); # Return the current database name. E.G. 'Top_ref'
```

set_user_match

Set match between multi-bit flops to multi-bit flops, and between multi-bit flops to single bit flop

Usage: set_user_match(\$inst1, \$inst2);

\$inst1: The first flop instance, in the format of 'r:reg_1_0A/*dff.00.0*' if it is multibit
or 'r:reg_1A' if it is single bit

\$inst2: The second flop instance, in the format of 'i:reg_1_0A/*dff.00.0*' if it is multibit
or 'i:reg_1A' if it is single bit

Examples:

```
set_user_match('r:reg_1_0A/*dff.00.0*', 'i:reg_0A');
set_user_match('r:reg_1_0A/*dff.00.1*', 'i:reg_1A');
set_user_match('r:reg_2_1A/*dff.00.1*', 'i:reg_1_0A/*dff.00.0*');
```

Note: It is recommended to use SVF file, guide_multibit in SVF file has the same effect of this command

set_verbose

Run script in verbose mode

Usage: set_verbose(\$num);

\$num: Verbose level, higher to be more verbose

set_wireload

Command for Timing Report. Set wireload for one liberty library

Usage: set_wireload(\$library, \$wireload);

\$library: Library name

\$wireload: Wireload name

Examples:

```
#1. Set wireload for one library
set_wireload("TMC18VGB15ELV16S_1P8V_25C", "zero-wire-load-model");
```

set_write_verilog_remove_backslash

Enable write out verilog with backslash removal

Usage: set_write_verilog_remove_backslash(\$value);

\$value: 0, Disable by default

1, Enable backslash removal in write_verilog

set_write_verilog_uniquify

Enable write out verilog in uniquified mode

Usage: set_write_verilog_uniquify(\$value);

\$value: 0, Disable by default

1, Enable uniquify mode

set_xm_flop_merge_enable

Cross module flop mapping and merging enable.

Usage: set_xm_flop_merge_enable(\$setting,@options);

\$setting: 0, disable cross module flop merge (default)
1, enable cross module flop merge

@options:

-parallel: Run merge process in parallel

Note: Flop merge inside module command set_flop_merge_enable is enabled by default

setup_eco



ECO command. Setup ECO
Usage: setup_eco(\$eco_name, @options);
\$eco_name: ECO name, like eco01234
@options:
-help: Print this information.
-comments comments: Comments to appear at the beginning of ECO netlist.

Examples:

```
#1. Setup ECO name
setup_eco('eco1234')

#2. Setup ECO name with comments
setup_eco('eco1234', '-comments', 'Fix abc_state state machine');
```

source

Run Netlist processing script.
Usage: source(\$script_name);

Examples:

```
source("eco2.pl");
```

Note:

It has the same behavior as 'run' command

start_gui

Start GUI windows
Usage: start_gui(@options);
@options:
-source: Read in Reference RTL file if it exists
-noblock: The process is not blocked by start_gui, by default the process is blocked by the GUI window

stitch_scan_chain

ECO command. Stitch scan chain
Usage: stitch_scan_chain(@options);
@options:
-to \$flop_inst: Stitch all new flops into the flop_inst or stitch each module's new flops into one flop in this module
Note: If -to option doesn't exist, the new flops in each module are connected up in one chain and stitched into one existing scan flop

Examples:

```
stitch_scan_chain("-to", "abc_reg"); # Insert new flops' scan chain into the existing flop 'abc_reg'
stitch_scan_chain(); # Stitch the new flops into local scan chains
```

suppress_errors

Suppress error messages
Usage: suppress_errors(@messages)
@messages: Error messages. 'E-001', 'E-132'

suppress_warnings

Suppress warning messages
Usage: suppress_warnings(@messages)
@messages: Warning messages. 'W-001', 'W-002'

Examples:

```
suppress_warnings("W-001", "W-002", "W-003"); # Suppress these three warnings
```

swap_inst

ECO command. Swap two instances with same input/output pins.
Usage: swap_inst(\$inst1, \$inst2);
\$inst1,\$inst2: Swap these two instances.
Note: \$inst1 and \$inst2 should have the same input/output pins.

Examples:

```
swap_inst("spare1/spr_and0", "spare2/spr_and1");
```

undo_eco

ECO command. Undo eco operations, restore the database to the original state.
Usage: undo_eco();

verify_faults

GOF Formal only. Verify fault in stuck-0 or stuck-1 mode
Usage: my \$status = verify_faults(\$one_fault, @options);
\$one_fault: Optional, to test one fault only
@options:
-help: Print this info
-rough: Calculate SPFM/LFM only by structural COI analysis
-full: Run full formal process in calculating SPFM/LFM
-vcd vcd_file_name: Dump the sequence to the VCD file when \$one_fault is defined
\$status: Return 1 if a sequence exists

Examples:

```
#1. Check all fault in the whole design
verify_faults("-full");

#2. Check one fault stuck-0 and dump the sequence to the VCD file
verify_faults("u_master/U12/Y:0", "-vcd", "seq_u12.vcd");
```

verify_state

GOF Formal only. Verify if a sequence exists to set the signal
Usage: my \$status = verify_state(@sig_seq, @options);
@sig_seq: Signals and its value
@options:
-help: Print this info
-or: The signals are 'or' relationship, default 'and' relationship
-vcd vcd_file_name: Dump the sequence to the VCD file when \$one_fault is defined
\$status: Return 1 if a sequence exists

Examples:

```
#1. Check one instance input A can be set to 0, dump to VCD file dump_seq.vcd
verify_state("u_spi/U10/A:0", "-vcd", "dump_seq.vcd");
```

write_compare_points

Write all compare points to a report file



Usage: write_compare_points(\$file_name, @options);
\$file_name: The report file name
@options:
-all: Include name matching instances

Examples:

```
write_Compare_points("compare_points.rep"); # Write compare points with different naming  
write_Compare_points("-all", "all_compare_points.rep"); # Write all compare points
```

write_dcsh

ECO command. Write ECO result in Design Compiler dcsh script format

Usage: write_dcsh(\$dc_script_name);
\$dc_script_name: Synopsys Design Compiler dcsh script name.

Examples:

```
write_dcsh("eco12345.dcsh");
```

write_formality_help_files

Write formality help files including mapped instance list and modified netlist files if necessary

Usage: write_formality_help_files(\$help_name);
\$help_name: Help name which can have directory specified

Note:

Examples:

```
#1. Write out Formality help files into directory fm_help with the base name eco_1225  
write_formality_help_files("fm_help/eco_1225");
```

write_perl

ECO command to write ECO result in Perl script

Usage: write_perl(\$eco_script_name);
\$eco_script_name: ECO script name
Note: The command can be used after 'fix_design' API. Detail ECO operations are written out.

write_soc

ECO command. Write ECO result in Cadence SOC Encounter script format

Usage: write_soc(\$soc_encounter_script_name, @options);
\$soc_encounter_script_name: Cadence SOC Encounter script name.
@options:
-type1: Alternate SOC Encounter script type

Examples:

```
write_soc("eco12345.soc");
```

write_spare_file

ECO command. Write spare cells list to a file

Usage: write_spare_file(\$filename);
\$filename: Spare cells file name to be written out

Note: Any used spare cell has '#' in the start of the line

write_tcl

ECO command to write ECO result in Design Compiler tcl script format

Usage: write_tcl(\$tcl_script_name);
\$tcl_script_name: Synopsys Design Compiler tcl script name.

Examples:

```
write_tcl("eco12345.tcl");
```

write_verilog

ECO command to write ECO result in Verilog netlist

Usage: write_verilog(\$verilog_file, @options);
@options:
-help: Print this information
-all: Keep the modules in the netlist file even they are not the sub-modules of the top module
\$verilog_file: The Verilog netlist file name, should be different from the existing Implementation Netlist file name.

Note: When the Implementation design is read in by multiple netlist files, set_top command should be used to make the correct file saved

Examples:

```
#1. Write out ECOed netlist to imp_eco.v  
read_design("-ref", "reference.v");  
read_design("-imp", "implementation.v");  
fix_design;  
write_verilog("imp_eco.v");  
  
#2. The design is read in by command line 'gof -lib tsmc.lib ethernet_top.v'  
# After ECO, to write ECO netlist use command  
write_verilog("ethernet_top_eco.v");  
  
#3. The design is read in by multiple netlist files in command line,  
# 'gof -lib tsmc.lib mem_control.v dsp.v ethernet_top.v'  
# The ECO is done on 'mem_control' module, to save the netlist  
set_top("mem_control");  
write_verilog("mem_control_eco.v");
```

8 Appendix B

8.1 GOF Command Options

```
Usage: gof [options] netlists  
netlists  
    Netlist files to be loaded. There can be multiple netlist files listed,  
    if the design has more than one netlist files.  
options:  
-h  
    Print out this info.  
-lib  
    Provides liberty file (technology library).
```



```
There can be multiple -lib options,
if the design has more than one technology library files.

-v
Specifies simulation library file name which has verilog definition
for leaf gates, like AND2X4.
There can be multiple -v options, if the design has more than one simulation library.
-lib should be used unless the leaf cells defined in simulation library are true black box

-vmacro
For ECO purpose. Each module in the file appears as leaf cell, and it can be
added like other leaf cell in ECO. When write out ECO netlist, the file content appears
in the beginning of ECO netlist. And the ECO cell is added as a hierarchical sub-block.

-run
Provides ECO script name. The script is compatible with Perl syntax.
GOF stays in shell mode when the script finishes.

-shell
Runs in text mode with shell prompt, GofCall APIs can be run in interactive mode in shell.

-o
Specifies log file name, default gatesof.log.

-Top_1
Specifies another netlist files to build Top_1 tree. The hierarchy will shown up in left
side of GofViewer window. -Top_2 -Top_3 ... can be used to load more netlist files.
Note, when this option takes all netlist files followed, so the main netlist files
should appear before this option. For example,
'gof -lib tsmc.lib imp_netlist1 imp_netlist2 -Top_1 ref_netlist1 ref_netlist2'
will create two trees in the left side of GofViewer window.
While, 'gof -lib tsmc.lib -Top_1 imp_netlist1 imp_netlist2 ref_netlist1 ref_netlist2'
will build only one tree, since Top_1 option takes up all of the netlist files,
the main tree is gone.

-ref
Specifies reference netlist files.
+define+PARAMETER0+PARAMETER1
Defines PARAMETER0 PARAMETER1.

-id
Specifies design name. The name appears on GUI Window tile bar.

-def
Specifies DEF file (Design Exchange Format).
There can be multiple -def options,
if the design has more than one def files.

-defverbose
Reports all def error, otherwise only first 10 are reported.

-lef
Specifies Library Exchange Format file.
There can be multiple -lef options,
if the design has more than one lef files.

-sparelist
Specifies spare cells list file.

-parallel
Define parallel processing CPU Core number.
Set the number to zero to disable parallel processing.
By default, the tool picks a optimal number according to the host CPU setting.

-f
Loads all the files and options in the file_list_file

-session
Loads saved session

-vcd
Specifies VCD file for schematic annotation

-textbutton
Text mode button instead of image mode button in ECO operations

-version
Prints out current version and exits.

-licquery
Queries license usage.
```

8.2 Command line Examples

```
gof -lib tsmc.lib soc.v
  Loads one netlist file 'soc.v' and one technology library, 'tsmc.lib'
gof -lib tsmc_std.lib -lib tsmc_io.lib top.v part0.v part1.v
  Loads three netlists, top.v, part0.v and part1.v, two liberty files
  tsmc_std.lib, IO cells, tsmc_io.lib
gof -lib tsmc_std.lib -lib tsmc_io.lib -v analog_models.v top.v part0.v part1.v
  Loads analog cells in verilog library file analog_models.v all analog cells are black boxes.
gof -lib tsmc_std.lib -lib tsmc_io.lib -vn macros.v -v analog_models.v top.v part0.v part1.v
  Loads macros.v as macro cell
gof -lib tsmc.lib -def soc.def.gz -lef libcell.lef soc.v
  Loads Design Exchange Format file soc.def.gz. And library exchange format file for layout view usage.
gof -lib tsmc.lib soc.v -run scripts.pl
  Processes netlist with scripts.pl. Scripts.pl is in Perl syntax and support GOF APIs
gof -lib tsmc.lib top.v netlist.vg -vcd top.vcd
  Loads VCD file for schematic annotation.
gof -lib tsmc.lib imp_netlist.v -ref ref_netlist.v
  Loads both implementation netlist and reference netlist, can be used in netlist comparison.
```

9 Appendix C

9.1 Fatal codes

```
F-000: License failed
F-001: Time out in adding ports in hierarchies
F-002: Empty ID for nets
F-003: Pin connections processing fatal error
F-004: Net id not defined
F-005: Net is not in EpHash
F-006: Instance has not been mapped position in AUTO ECO
```



F-007: Instance has no name mapping in AUTO ECO
F-008: No net found for ECO instance/pin
F-009: Unknown connection type of instance/pin in AUTO ECO
F-010: Net has no name mapping in AUTO ECO
F-011: Failed to initialize database
F-012: MCell get sub-chains error
F-013: No tree has been defined
F-014: No ID for leaf cell pin
F-015: Undefined subroutine in GofCall script
F-016: Global symbol requires explicit package name
F-017: Syntax Error
F-018: Illegal Division by zero
F-019: Bare word not allowed
F-020: Can't locate Perl module
F-021: File size too large for evaluation mode
F-022: Internal error in make miss

9.2 Error codes

E-001: Reference netlist has not been loaded
E-002: DEF file has missing section
E-003: Command line needs an option for a switch
E-004: Liberty files have not been loaded
E-005: Library cell doesn't exist
E-006: Delete middle bit in a bus
E-007: Unknown command line option
E-008: Win32 doesn't support .gz file
E-009: DEF file doesn't have DIEAREA item
E-010: Files loading sequence
E-011: Instance or pin or port can't be found in module
E-012: Net doesn't exist in module
E-013: Tree name doesn't exist
E-014: Hierarchical module name doesn't exist
E-015: Miss argument
E-016: Module stack is empty, too many pop_top
E-017: 'instance/pin' has wrong format
E-018: Instance or module doesn't exist
E-019: Instance doesn't have pin
E-020: Item is a black box
E-021: Missing DEF file
E-022: No reference for instance
E-023: 'leaf/pin' doesn't exist
E-024: Power connection format is wrong
E-025: Spare cell pattern is not specified
E-026: Spare list file doesn't exist
E-027: 'get_spare_cells' run before 'map_spare_cells'
E-028: 'instance/pin' is floating
E-029: New instance conflicts with existing one
E-030: Specify leaf:num in more than one output leaf
E-031: Instance should be leaf in change_gate
E-032: Syntax error in pin mapping
E-033: The new gate type should be different from the old one in change_gate
E-034: Leaf cell doesn't exist in libraries
E-035: Net doesn't have a driver
E-036: Instance name has special character that the tool doesn't support
E-037: Wrong argument in ECO APIs
E-038: Net has multiple drivers
E-039: Not a port
E-040: New port conflicts with existing one
E-041: Single bit wire can't be expanded to a bus
E-042: New port direction conflicts with existing one
E-043: Commands loading sequence
E-044: Nets in one ECO command should be in the same hierarchy
E-045: Missing scan control pins
E-046: Reference netlist is not loaded
E-047: Fail to open file for write
E-048: Fail to open file for read
E-049: Unable to recognize file format
E-050: Command line option needs a value
E-051: Path doesn't exist
E-052: Leaf should have only one output pin
E-053: New net conflicts with existing one
E-054: Instance ECO result not consistent
E-056: Net has no driver
E-057: Net has invalid BDD
E-059: Not enough resource to run synthesis
E-060: Not valid patch file
E-061: No spare cell for one gate type
E-062: Output port is driven by input port
E-063: Reference register doesn't exist in implementation netlist
E-064: No inverter in the database
E-067: Should add instance into fix_logic argument
E-071: Port doesn't exist in hierarchical instance
E-072: Black box instance doesn't exist in implementation netlist in AUTO ECO
E-076: Spare cells list file has Wrong format
E-080: GOF_KEY_FILE variable has not been defined
E-081: Use '-run' to run Perl script
E-082: Gtech file doesn't exist
E-085: Syntax error in netlist
E-101: No hierarchical path is used
E-102: Interrupt GUI operation by user
E-103: 'read_def' should be run before 'get_spare_cells'
E-105: Load specific file without the right option
E-106: Source ID can't be deleted
E-109: Found combinational loop
E-110: Implementation Netlist has not been loaded
E-112: Can't find pin direction

9.3 Warning codes

W-001: Bypass already loaded file
W-002: DEF has some section missing
W-003: DEF has module not resolved
W-004: No ECO pin specified for ECO instance
W-005: Not enough spare cells
W-006: DEF file not loaded
W-007: Leaf cell doesn't have timing table
W-023: 'leaf/pin' doesn't exist
W-028: 'instance/pin' is floating
W-038: Net has multiple drivers
W-054: Instance ECO result not consistent
W-055: Net ECO result not consistent
W-056: Net is not driven
W-060: Invalid patch file



W-061: No spare cell for one gate type
W-065: Tie floating input pin to zero
W-066: New port created in AUTO ECO
W-068: Hierarchical cell is created in AUTO ECO
W-069: Set don't touch Warning
W-070: Can't find repeaters
W-073: 'instance/pin' is inverted but being forced to be equal by user
W-074: 'instance/pin' is forced to be inverted by user
W-075: Net returned wrong BDD
W-077: No size information for a leaf
W-078: Module is redefined
W-079: Instance can't be resolved in GTECH
W-080: Leaf cell can't be resolved in module
W-083: Can't read MAC Address
W-084: Sub-module can't be resolved
W-086: Include file doesn't exist
W-087: Bit-width mismatch in instantiation
W-088: Zero fanin endpoint
W-089: Can't find ECO instance position
W-090: Empty instance name in patch file
W-091: ECO net has no fanout
W-092: New input port created and needs to be connected
W-093: New ID created for end point
W-094: Can't detect port phase in module
W-095: Port or net is forced to be equal by user
W-096: Port and net has mismatching bit-width
W-097: Schematic only feature
W-098: Force to use 1'b0/1'b1 in AUTO ECO
W-099: Can't fix timing, since lacking valid points
W-100: No lib name for a leaf cell
W-104: Module is defined as leaf cell but has definition in the netlist
W-107: Module is set as a leaf by user
W-108: Module is not uniquified
W-111: No need to set path prefix
W-112: Can't find pin direction
W-113: Different types of flops in IMP and REF

9.4 GUI warning codes

GW-001: Don't connect net to a new created connector
GW-002: Don't connect two ECO connectors
GW-003: Don't drive an output port by a cell in different hierarchy in ECO
GW-004: Forward trace a port's driver before insertion
GW-005: Net doesn't exist in design
GW-006: Can't load cell to schematic
GW-007: Trace output pin before delete the gate
GW-008: Can't delete a gate which drives an output port
GW-009: Can't delete a wire which drives an output port
GW-010: Need select a gate to do a operation
GW-011: Can't change ECO gate size
GW-012: No larger size gate in library
GW-013: No smaller size gate in library
GW-014: Connect other side of ECO port first
GW-015: Path is not allowed in port connection
GW-016: Can't disable ECO mode
GW-017: No more ECO operations in undo
GW-018: Need select a pin to do listing endpoints